

VERMEIREN

Express VB

INSTRUCTION MANUAL
MODE D'EMPLOI
GEBRUIKSAANWIJZING
GEBRAUCHSANWEISUNG
ISTRUZIONI PER L'USO
MANUAL DE INSTRUCCIONES
INSTRUKCJA OBSŁUGI



EN

Instructions for specialist dealer

This instruction manual is part and parcel of the product and must accompany every product sold.

Version: B, 2016-08

FR

Instructions pour les distributeurs

Ce manuel d'instructions fait partie du produit et doit accompagner chaque produit vendu.

Version : B, 2016-08

NL

Instructies voor de vakhandelaar

Deze handleiding is deel van het product en dient bij iedere product te worden geleverd.

Versie: B, 2016-08

DE

Hinweise für den Fachhändler

Diese Gebrauchsanweisung ist Bestand-teil des Produkts und ist bei jeder Produkts auszuhändigen.

Version: B, 2016-08

IT

Istruzioni per il rivenditore

Il presente Manuale di istruzioni è parte integrante del prodotto e deve essere fornito assieme alla prodotto.

Versione: B, 2016-08

ES

Instrucciones destinadas a los distribuidores especializados

El presente manual de instrucciones es parte integrante del producto y se debe adjuntar a todas las producto que se vendan.

Versión: B, 2016-08

PL

Instrukcje dla wyspecjalizowanego sprzedawcy

Niniejsza instrukcja obsługi jest nieodłączną częścią produktu i musi być dołączona do każdego sprzedawanego produktu.

Wersja: B, 2016-08

All rights reserved, including translation.

No part of this manual may be reproduced in any form what so ever (print, photocopy, microfilm or any other process) without written permission of the publisher, or processed, duplicated or distributed by using electronic systems.

Tous droits réservés, y compris la traduction.

Aucune partie de ce manuel ne peut être reproduite, sous quelque forme que ce soit (imprimée, photocopie, microfilm ou tout autre procédé) sans l'autorisation écrite du publicateur, ni traitée, dupliquée ou distribuée à l'aide de systèmes électroniques.

Alle rechten, inclusief vertaling, voorbehouden.

Niets uit deze handleiding mag geheel of gedeeltelijk in enige vorm (druk, fotokopie, microfilm of ieder ander procedé) zonder de schriftelijke toelating van de uitgever worden gereproduceerd of met behulp van elektronische systemen worden verwerkt, gekopieerd of verspreid.

Alle Rechte, auch an der Übersetzung, vorbehalten.

Kein Teil der Gebrauchsanweisung darf in irgendeiner Form (Druck, Fotokopie, Mikrofilm oder einem anderen Verfahren) ohne schriftliche Genehmigung des Herausgebers reproduziert oder unter Verwendung elektronischer Systeme verarbeitet, vervielfältigt oder verbreitet werden.

Tutti i diritti riservati (anche sulla traduzione).

Il presente manuale non può essere riprodotto, neppure parzialmente, con alcun mezzo (stampa, fotocopia, microfilm o altro procedimento) senza l'autorizzazione scritta della casa produttrice, né elaborato, duplicato o distribuito con l'ausilio di sistemi elettronici.

Todos los derechos reservados, incluidos los de la traducción.

Se prohíbe la reproducción total o parcial del presente manual de cualquier forma (impresión, fotocopia, microfilm o cualquier otro procedimiento), así como la edición, copia o distribución empleando sistemas electrónicos, sin el permiso escrito del editor.

Wszelkie prawa zastrzeżone, łącznie z tłumaczeniem.

Żadna część niniejszej instrukcji nie może być powielana w jakiegokolwiek formie (drukowanej, fotokopii, mikrofilmu ani innej) bez pisemnej zgody wydawcy, nie może być również przetwarzana, kopiowana ani rozprowadzana za pomocą systemów elektronicznych.

EN Instructions to the specialist dealer

This instruction manual is part and parcel of the product and must accompany every product sold.

Version: B, 2016-08

All rights reserved, including translation.

No part of this manual may be reproduced in any form what so ever (print, photocopy, microfilm or any other process) without written permission of the publisher, or processed, duplicated or distributed by using electronic systems.

© Vermeiren GROUP 2016

FR Instructions pour les distributeurs

Ce manuel d'instructions fait partie du produit et doit accompagner chaque produit vendu.

Version : B, 2016-08

Tous droits réservés, y compris la traduction.

Aucune partie de ce manuel ne peut être reproduite, sous quelque forme que ce soit (imprimée, photocopie, microfilm ou tout autre procédé) sans l'autorisation écrite du publicateur, ni traitée, dupliquée ou distribuée à l'aide de systèmes électroniques.

© Vermeiren GROUP 2016

NL Instructies voor de vakhandelaar

Deze handleiding is deel van het product en dient bij iedere product te worden geleverd.

Versie: A, 2016-08

Alle rechten, inclusief vertaling, voorbehouden.

Niets uit deze handleiding mag geheel of gedeeltelijk in enige vorm (druk, fotokopie, microfilm of ieder ander procedé) zonder de schriftelijke toelating van de uitgever worden gereproduceerd of met behulp van elektronische systemen worden verwerkt, gekopieerd of verspreid.

© Vermeiren GROUP 2016

DE Hinweise für den Fachhändler

Diese Gebrauchsanweisung ist Bestandteil des Produkts und ist bei jeder Produkts auszuhändigen.

Version: B, 2016-08

Alle Rechte, auch an der Übersetzung, vorbehalten.

Kein Teil der Gebrauchsanweisung darf in irgendeiner Form (Druck, Fotokopie, Mikrofilm oder einem anderen Verfahren) ohne schriftliche Genehmigung des Herausgebers reproduziert oder unter Verwendung elektronischer Systeme verarbeitet, vervielfältigt oder verbreitet werden.

© Vermeiren GROUP 2016

IT Istruzioni per il rivenditore

Il presente Manuale di istruzioni è parte integrante del prodotto e deve essere fornito assieme alla prodotto.

Versione: B, 2016-08

Tutti i diritti riservati (anche sulla traduzione).

Il presente manuale non può essere riprodotto, neppure parzialmente, con alcun mezzo (stampa, fotocopia, microfilm o altro procedimento) senza l'autorizzazione scritta della casa produttrice, né elaborato, duplicato o distribuito con l'ausilio di sistemi elettronici.

© Vermeiren GROUP 2016

ES Instrucciones destinadas a los distribuidores especializados

El presente manual de instrucciones es parte integrante del producto y se debe adjuntar a todas las producto que se vendan.

Versión: B, 2016-08

Todos los derechos reservados, incluidos los de la traducción.

Se prohíbe la reproducción total o parcial del presente manual de cualquier forma (impresión, fotocopia, microfilm o cualquier otro procedimiento), así como la edición, copia o distribución empleando sistemas electrónicos, sin el permiso escrito del editor.

© Vermeiren GROUP 2016

PL Instrukcje dla wyspecjalizowanego sprzedawcy

Niniejsza instrukcja obsługi jest nieodłączną częścią produktu i musi być dołączona do każdego sprzedawanego produktu.

Wersja: B, 2016-08

Wszelkie prawa zastrzeżone, łącznie z tłumaczeniem.

Żadna część niniejszej instrukcji nie może być powielana w jakiegokolwiek formie (drukowanej, fotokopii, mikrofilmu ani innej) bez pisemnej zgody wydawcy, nie może być również przetwarzana, kopiowana ani rozprowadzana za pomocą systemów elektronicznych.

© Vermeiren GROUP 2016



Contents

1	Product description.....	3
1.1	Intended Use	3
1.2	Technical specifications	4
1.3	Components	6
1.4	Accessories	6
1.5	Explanation of symbols	6
1.6	Safety instructions	7
2	Use	8
2.1	Remarks on electromagnetic compatibility (EMC).....	8
2.2	Carrying the electric wheelchair.....	9
2.3	Assembly and disassembly of the electric wheelchair	9
2.4	Fold up or unfolding the wheelchair.....	10
2.5	Mounting or removing backrest	11
2.6	Mounting or removing battery housing	11
2.7	Mounting or removing armrest.....	12
2.8	Mounting or removing of the footrests.....	13
2.9	Operating the parking brakes.....	13
2.10	Transfer in and out the electric wheelchair.....	14
2.11	Correct position in the electric wheelchair	14
2.12	Driving the electric wheelchair.....	14
2.13	Operating the electromagnetic brakes	15
2.14	Driving the electric wheelchair on stairs	18
2.15	Driving the electric wheelchair on ramps.....	18
2.16	Pushing the wheelchair	19
2.17	Transport in the car	20
2.18	Transport in an airplane	20
2.19	Batteries	21
2.20	Battery charger.....	21
2.21	Charging the batteries	21
2.22	Thermal fuse	22
3	Installation and adjustment.....	22
3.1	Tools	22
3.2	Manner of delivery	22
3.3	Possible adjustments.....	23
3.4	Battery connections	24
3.5	Changing the batteries	25
3.6	Tyre changing	25
4	Maintenance	27



Preface

First of all we want to thank you for putting your trust in us by selecting one of our products.

The expected lifetime of your electric wheelchair is strongly influenced by the care and maintenance of the wheelchair.

This manual will help you get acquainted with the operation of your electric wheelchair.

Following of the user instructions and the maintenance instructions are an essential part of the warranty.

This manual reflects the latest product developments. Vermeiren has the right to introduce changes without the obligation to adapt or replace previously delivered models.

For any further questions, please consult your specialist dealer.

1 Product description

1.1 Intended Use

The electric wheelchair Express VB is equipped with two motors, of 150W.

The electric wheelchair Express VB is intended to comfortably transport persons with walking difficulties or no walking abilities. This electric wheelchair is designed to transport 1 person.

The electric wheelchair is designed to transport persons only, no goods.

Neither should it be used by persons obviously suffering from physical or mental limitations (e.g. visual impairment, ...) that render them incapable of safely handling the electric wheelchair.

The different types of fittings and accessories, and the modular construction allow full use by persons disabled by:

- paralysis
- loss of limbs (leg amputation)
- limb defects or deformations
- stiff or damaged joints
- heart insufficiencies and poor blood circulation
- balance disturbances
- cachexia (decrease in muscle)

The electric wheelchair shall not be used by persons that are in a condition that they can fall out the electric wheelchair, or use for these patients safety belts.

The electric wheelchair is classified as class A.

The electric wheelchair is suited for indoor and limited outdoor use by the occupant.

The user can operate the wheelchair by himself or have the wheelchair pushed by an attendant with the handgrips.

When providing for individual requirements:

- body size and weight (max. 90 kg)
- physical and psychological condition
- residential circumstances
- environment

should be taken into consideration.

Your electric wheelchair should be used on flat surfaces where all four wheels are touching the ground and where there is sufficient contact to operate the wheelchair safely.

You should practice for use on uneven surfaces (cobblestones, etc.), slopes, curves and to get past obstacles (curbs, etc.). A particular risk is involved when crossing surfaces such as ice, grass, rubble, foliage, etc.

The electric wheelchair should not be used as a ladder, nor is it a transport for heavy or hot objects.

When using your electric wheelchair on streets or footpaths, local laws and regulations apply.

The electric wheelchair can be used on sidewalks, urban road. Under no circumstances the electric wheelchair may be used for driving on larger roads or expressways.

Use only Vermeiren approved accessories.



The manufacturer is not liable for damage caused by the lack of improper service or as a result of not following instructions from this manual.

Visually impaired people can contact the dealer for the instructions for use.

1.2 Technical specifications

Technical terms below are valid for the electric wheelchair in standard settings and optimum environmental conditions. If accessories are used, the tabulated values will change. Changes in outdoor temperatures, humidity, uphill's, downhill's, soils and battery levels can reduce output.

Brand	Vermeiren				
Address	Vermeirenplein 1/15, B-2920 Kalmthout				
Type	Electric wheelchair, Class A				
Model	Express VB				
Maximum occupant mass	90 kg				
Description	Dimensions				
Effective seat width	390 mm	420 mm	440 mm	460 mm	500 mm
Overall width (depends on the seat width)	580 mm	610 mm	630 mm	650 mm	690 mm
Description	Dimensions Minimum		Dimensions Maximum		
Max. speed	6 km/h				
Continuous driving distance range*	Approx. 18 km (Battery 38 Ah) Approx. 25 km (Battery 50 Ah)				
Overall length with footrest	950 mm				
Overall height (backrest included)	960 mm				
Folded / dismantled length (without footrests, battery housing)	790 mm				
Folded / dismantled width (wheelchair folded)	400 mm				
Folded / dismantled height (back folded, without armrests)	710 mm (for seat width 460 mm; depends on seat width)				
Total mass	From 67 kg (For seat width 390 mm; depends on seat width and any accessories)				
Mass of heaviest part (that can be dismantled or removed)	Frame, armrest + joystick, seat cushion, backrest cushion: From 29,95 kg				
Masses of parts that can be dismantled or removed.	Armrest without joystick: 1,60 kg; Footrests: 1,85 kg; Battery housing: 15,90 kg/piece (Batteries: 13,5 kg/piece); Backrest: 1,80 kg				
Static stability downhill	7,5°				
Static stability uphill	12°				
Static stability sideways	10°				
Max. safe slope	7°				
Obstacle climbing	15 mm				
Ground clearance	30 mm				
Seat plane angle	5°				
Effective seat depth	430 mm				
Thickness seat cushion	40 mm				
Seat surface height at front edge (with seat cushion)	540 mm				
Backrest angle	5°				
Backrest height	430 mm				



Brand	Vermeiren	
Address	Vermeirenplein 1/15, B-2920 Kalmthout	
Type	Electric wheelchair, Class A	
Model	Express VB	
Maximum occupant mass	90 kg	
Description	Dimensions Minimum	Dimensions Maximum
Distance between footrest and seat	400 mm	520 mm
Angle between footrest and footplate	80°	100°
Angle between seat and footrest	105°	
Angle between seat and footplate	5°	25°
Distance between armrest and seat (with seat cushion)	225 mm	315 mm
Front location of armrest structure	400 mm	
Driving motors	2 x 150W + Electromagnetic braking system	
Batteries	2 x 12V --- AGM / 38 Ah or 50 Ah / 20 hr	
Battery charger	See separate manual battery charger (Use ONLY the battery charger that is delivered with your electric wheelchair)	
Thermal fuse	30 AMP	
Operator control	See separate operator control	
Minimum turning diameter	Approx. 1400 mm	
Reversing width	Not applicable	
Diameter Rear wheels (number)	12 1/2 x 2 1/4" air (2)	
Tyre pressure, rear wheels **	Max. 2,5 bar	
Diameter front wheels (number)	8 x 1 3/4 mm air (2)	
Tyre pressure, front wheels **	Max. 2,5 bar	
Noise level	< 65 dB (A)	
Storage and use temperature	-20 °C to +40 °C	
Operating temperature of the electronics	-10 °C to +40°C	
Storage and use humidity	30%	70%
<p>We reserve the right to introduce technical changes. Measurement tolerance ± 15 mm / 1,5 kg / ° .</p> <p>* The theoretical driving distance will be reduced if the wheelchair is used frequently on slopes, rough ground or to climb curbs.</p> <p>**Since different tyres may be used, please note the correct operating pressure of the tyres you use. For other tyre diameters refer to your specialist dealer.</p>		

Table 1: Technical specifications

The wheelchair complies to the requirements set up in:

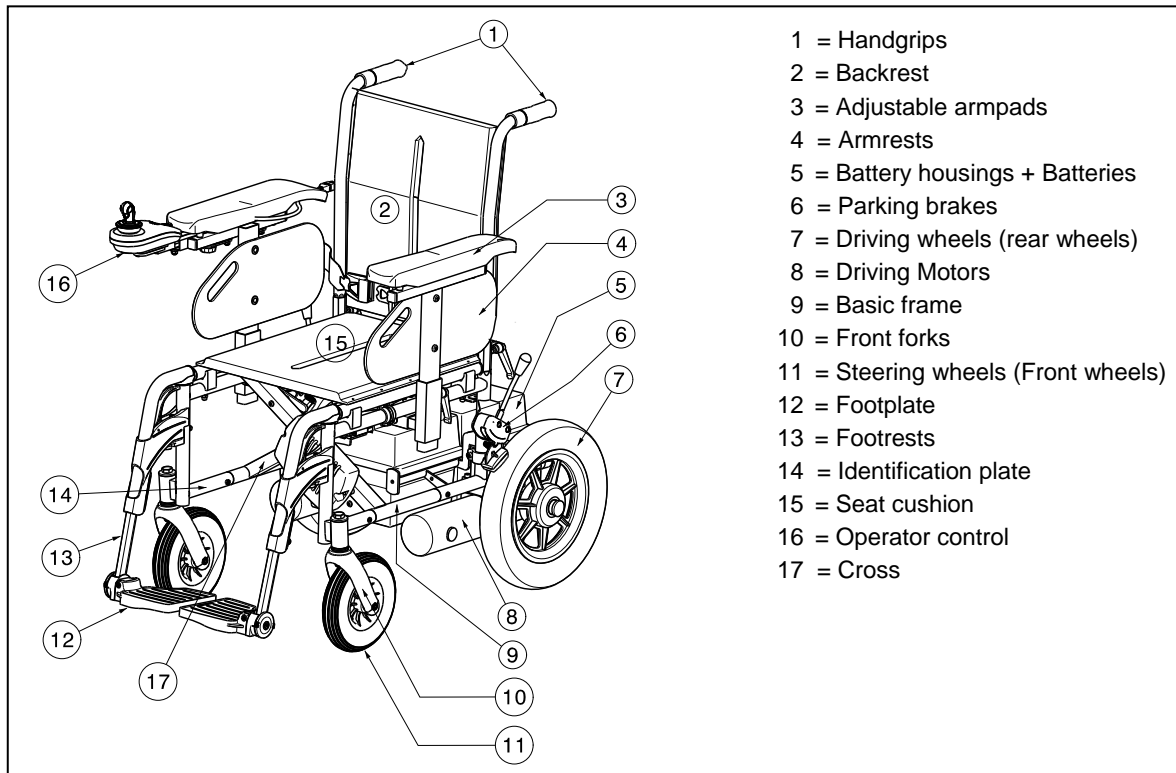
ISO 7176-8: Requirements and test methods for static, impact and fatigue strengths.

ISO 7176-14: Wheelchairs - Part 14: Power and control systems for electrically powered wheelchairs and scooters -- Requirements and test methods

EN 1021-1: Furniture - Assessment of the ignitability of upholstered furniture - Part 1 : Ignition source smouldering cigarette

EN 1021-2: Furniture - Assessment of the ignitability of upholstered furniture - Part 2 : Ignition source match flame equivalent

1.3 Components



1.4 Accessories

The following accessories are available for the electric wheelchair Express VB:

- Back inclination (SE52)
- Formed backrest and seat (L24 / L25)

1.5 Explanation of symbols



Maximum mass



Indoor and limited outdoor use



Indoor use (only for battery charger)



Separate recovery and recycling of electric and electronic devices (only for battery charger)



Protection class II







Maximum safe slope
























CE conformity



Maximum speed
km/h

-  Position: Parking brakes activated (electric driving possible)
 -  Position: Parking brakes deactivated (free running and pushing possible, no electric driving)
 -  During free running, be careful with slopes and inclinations
 -  Not intended to be used as a seat in a Motor vehicle
- TYPE** Type designation

1.6 Safety instructions

-  To prevent injury and/or damage to your wheelchair, make sure that no objects and/or body parts are caught in the rims of the driving wheels.
-  Follow the instructions for using your wheelchair. For example, avoid driving without brakes against an obstacle (step, edge of the curb) or dropping down from steps.
-  When getting into and out of the wheelchair, do not stand on the footplates. The footplate should be folded up beforehand.
-  Investigate the effects of shifting the centre of gravity on the behavior of the wheelchair, for example on up or down gradients, on laterally sloping ground, or when overcoming obstacles. Obtain support from an attendant.
-  If you want to pick up something (lying in front of, on the side, or to the rear of the wheelchair), you should not lean too far out to avoid tipping over.
-  When moving through doors, arches, etc. ensure that there is enough room at the sides so that you do not get your hands or arms caught or crushed and that there is no damage to the wheelchair.
-  Avoid uncontrolled rolling against obstacles (steps, curbs, doorframes, etc) or dropping down from ledges. The manufacturer cannot assume liability for damage caused by overloading, collision or other improper use.
-  When moving in public places, you are subject to local regulations.
-  Influence of medicine or alcohol reduces your driving capabilities.
-  When travelling outdoors, adapt your driving to weather and traffic conditions.
-  Do not use your electric wheelchair in rainy conditions.
-  Do not put your electric wheelchair into the free-wheeling position on slopes.
-  Never reverse uphill.
-  Reduce speed when you go round corners.
-  To be better visible when driving in the dark, wear the brightest possible clothing or clothes with reflectors and make sure that the reflectors of the wheelchair are clearly visible and drive with lightning on.
-  Make sure that the lights and reflectors of your electric wheelchair are free from dirt and/or other objects that could hide them.
-  When transporting the wheelchair, never pick it up by grasping movable parts (wheels, arm supports, footrests, etc.)
-  When transporting the electric wheelchair, no persons may be transferred along with it.
-  No additional passengers may be taken.
-  When storing or parking your electric wheelchair outside, protect it with a shrouding cover against humidity.
-  High levels of humidity or very cold conditions can reduce the performance of your electric wheelchair.
- Never use your electric wheelchair as a seat in an automobile or other vehicle.



- ⚠ Never exceed the maximum load of 90 kg.
- ⚠ Use only Vermeiren approved accessories.
- ⚠ Before getting on or off, taking apart or transporting your electric wheelchair, put your wheelchair off with "ON/OFF" button.
- ⚠ Check that the profile depth of the tyres is adequate.
- ⚠ If your electric wheelchair has pneumatic tyres, be careful to inflate them to the correct pressure (*see pressure indication on the tyres*).
- ⚠ Stairs may only be negotiated by an attendant. If devices and furnishings like ramps or lifts are available, use them.
- ⚠ Risk of injury in case of a sudden stop - Always use the safety belt.
- ⚠ Use restraining safety belts for patients that makes extreme movements so the wheelchair can tip over.

2 Use

This chapter describes the everyday use. **These instructions are for the user and the specialist dealer.**

To find a service facility or specialist dealer near you, contact the nearest Vermeiren facility. A list of Vermeiren facilities can be found on the last page.

The electric wheelchair is delivered fully assembled by your specialist dealer. The instructions intended for the specialist dealer for adjusting the electric wheelchair are given in § 3.

2.1 Remarks on electromagnetic compatibility (EMC)

Your electric wheelchair has been tested according EN 61000-4-3 and EN 61000-4-2 for EMC-compliance.

We wish to point out that sources of electromagnetic waves are liable to create interferences. The electronics of the wheelchair itself could affect other electric appliances too.

To reduce the effect of electromagnetic sources of interference, please read the following warnings:

- ⚠ **WARNING: The wheelchair might disturb the operation of devices in its environment that emit electromagnetic field.**
- ⚠ **WARNING: The driving performance of the wheelchair can be influenced by electromagnetic fields (e.g. electricity generators or high power sources).**
- ⚠ **WARNING: Avoid using any portable TV or radio in the immediate environment of your wheelchair for as long as it is turned on.**
- ⚠ **WARNING: Avoid using any transmitter-receiver in the immediate environment of your wheelchair for as long as it is turned on.**
- ⚠ **WARNING: Check the area for transmitter masts and avoid using the wheelchair close to them.**
- ⚠ **WARNING: If involuntary movements or braking occur, turn off the wheelchair as soon as it is safe to do so.**

Interfering electromagnetic fields may have a negative effect on the wheelchair's electronic systems. These can include:

- Disengagement of the engine brake
- Uncontrollable behavior by the wheelchair
- Unintentional steering movements

In the presence of very strong or enduring interfering fields, the electronic systems could even break down entirely or suffer permanent damage.

Possible sources of radiation include:

- Portable receiver and transmitter installations (receiver and transmitter with fixed antenna)
 - Transmitting and receiving sets
 - Portable TV, radio and navigation devices
 - Other personal transmitting devices

- Mobile medium-range transmitting and receiving devices (e.g. car antennas)
 - Fixed transmitting and receiving sets
 - Fixed mobile transmitting and receiving devices
 - Fixed radio, TV and navigation systems

- Long-range transmitting and receiving devices
 - Radio and television towers
 - Amateur radio sets

- Other home devices
 - CD player
 - Notebook
 - Microwave oven
 - Cassette recorder
 - etc.

Devices like electric shavers and hair dryers will have no influence provided that they function perfectly and their cabling be in an excellent condition. Please conform to the operating instructions accompanying such electric instruments to ensure trouble free operating of your wheelchair.

2.2 Carrying the electric wheelchair

The best way to carry the electric wheelchair is to make use of free-wheel mode of the electric wheelchair. Place the wheelchair in free-wheel mode and roll the wheelchair with the handgrips to the desired place.

When the wheelchair must be taken up or down stairs, do this with the wheelchair ramps or lift systems. At least two persons are required to move the wheelchair up or down stairs or over single steps.

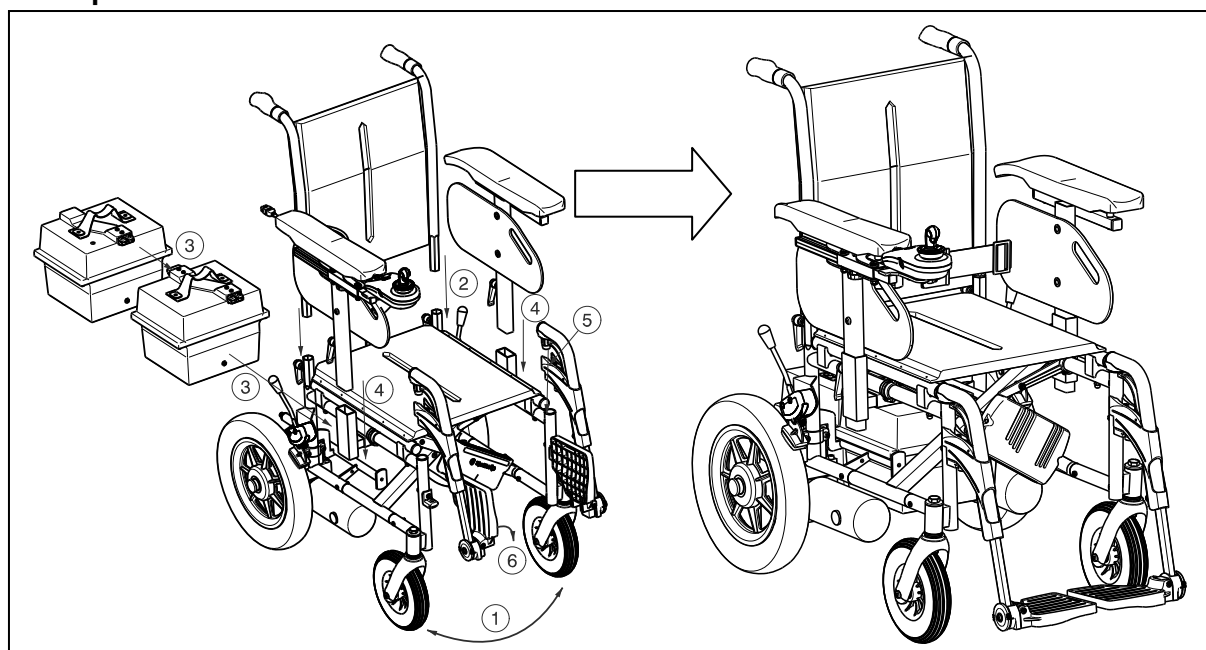
Another way to carry the electric wheelchair is to dismantle the electric wheelchair. Carry the separate parts (frame, armrests, footrests, battery housings, backrest) to the desired place. Grasp the wheelchair only on fixed frame parts (never by the footrests, armrests and wheels).

2.3 Assembly and disassembly of the electric wheelchair

The electric wheelchair is delivered fully assembled. Your dealer delivers the wheelchair fully assembled and explains the various operating elements and their use. However, for your own safety we provide a further, detailed explanation of the different parts.

2.3.1 Assembly of the electric wheelchair

⚠ CAUTION: Risk of clamping – Check that no cables can be squashed or squeezed.



To assembly the electric wheelchair:

1. Unfold the wheelchair (paragraph 2.4).
2. Mount the backrest (paragraph 2.5).
3. Mount the 2 battery housings (paragraph 2.6).
4. Mount the armrests (paragraph 2.7).
5. Mount the footrests (paragraph 2.8).
6. Fold the footplates of the footrests down.

To disassembly the electric wheelchair do the reverse of the above instructions.

2.4 Fold up or unfolding the wheelchair

⚠ CAUTION: Risk of clamping – Keep fingers, buckles, clothes away from moving parts of the wheelchair (eg. cross, ...).

To unfolding the wheelchair:

1. Position yourself behind the wheelchair.
2. Use the hand-grips to open the wheelchair as much as possible.
3. Position yourself at the front of the wheelchair.
4. Push both seating tubes down till they are fixed in their position.
5. Place the battery housings on the guide rails.

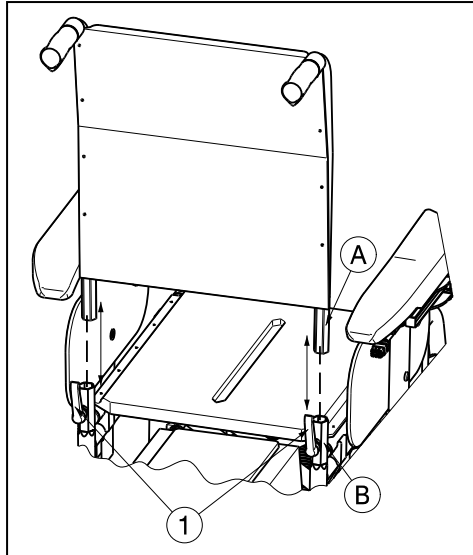
To fold up the wheelchair:

1. Remove the battery housings.
2. Fold or remove the footplates (see § 2.8).
3. Take the seat on the front side and backside and pull it up.

2.5 Mounting or removing backrest

- ⚠ **WARNING:** Risk of injury – Make sure that both securing levers ① are engaged.
- ⚠ **CAUTION:** Chance of pinching – Do not place fingers between the backrest tubes of the wheelchair.

For transport the backrest of the wheelchair can be completely removed and put on the seat.

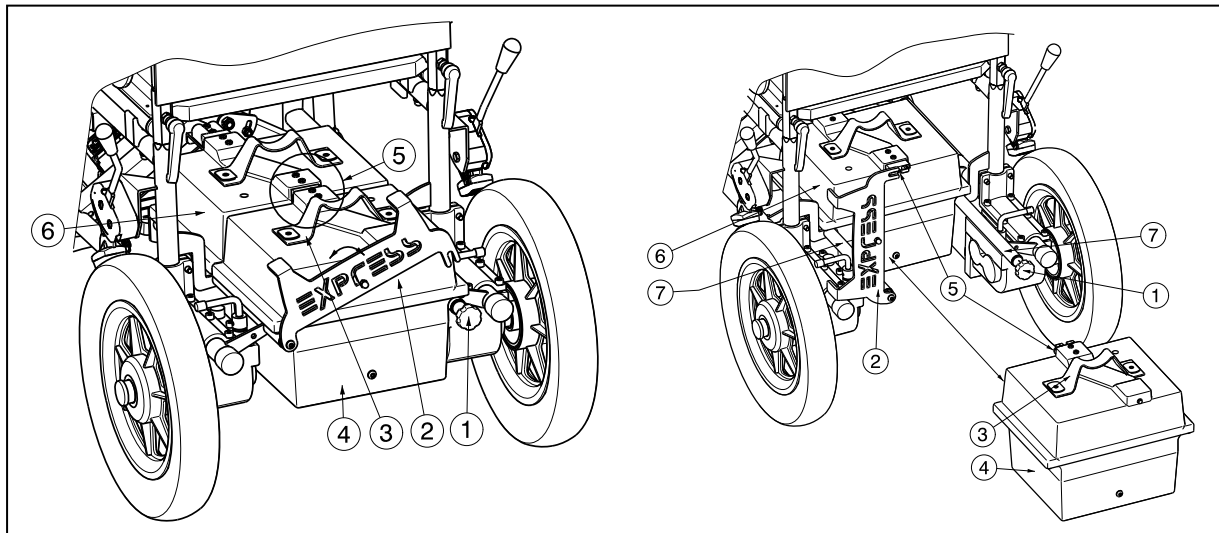


- To mount the backrest on the electric wheelchair:
1. Check that the levers ① are not fixated otherwise loosen the levers ①.
 2. Mount the backrest tubes ① in the hexagonal tubes of the frame ②.
 3. Retighten the levers ① properly.

- To remove the backrest from the electric wheelchair:
1. Turn on the levers ① until they come loose.
 2. Remove the backrest tubes ① out the hexagonal tubes of the frame ②.
 3. Put the backrest on the seat for transportation.

2.6 Mounting or removing battery housing

- ⚠ **CAUTION:** Chance of pinching – Do not place fingers between the battery housings and guide rails of the wheelchair.



To mount the battery housings on the electric wheelchair:

1. Grasp the handgrip ③ of the first battery housing (without thermal fuse) ⑤.
2. Lift the battery housing ⑤ on the side rails ⑦ of your wheelchair.
3. Push the battery housing ⑤ as much as possible under the seat of the wheelchair.
4. Check that the connectors (battery, power module) fits in each other.
5. Grasp the handgrip ③ of the battery housing (with thermal fuse) ④.
6. Lift the battery housing ④ on the side rails ⑦ of your wheelchair.
7. Push the battery housing ④ backwards.
8. Check that the battery connectors ⑤ fits in each other.
9. Turn the plate ② downwards.
10. Retighten the star knob ①.



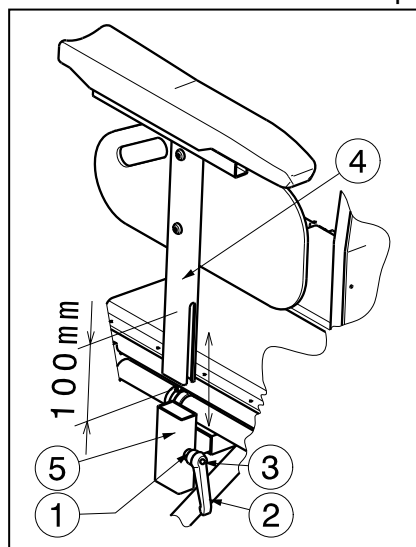
To remove the battery housings of the electric wheelchair:

1. Loosen the star knob ①.
2. Rotate the plate ② upwards and to the left.
3. Grasp the handgrip ③ of the first battery housing (with thermal fuse) ④.
4. Slide the battery housing backwards until the battery connectors ⑤ come loose.
5. Lift the first battery housing ④ out the wheelchair.
6. Slide the second battery housing ⑥ backwards until you can lift the housing out the wheelchair frame.
7. Lift the second battery housing ⑥ out the wheelchair.

2.7 Mounting or removing armrest

- ⚠ **WARNING: Risk of injury and/or damage - Make sure that the levers ① are properly tightened before using the wheelchair.**
- ⚠ **WARNING: Risk of tipping over - Check that the armrests are at the same height on each side.**
- ⚠ **CAUTION: Risk of clamping – Keep fingers, buckles and clothes away from the attachment points of the armrests.**

The armrests can be removed so the patient can be moved sideways. The armrests can also be removed for therapeutic purposes and to move the patient from the wheelchair.



To mount the armrests on the electric wheelchair:

1. Mount the armrests ④ in the rectangular tube ⑤.
2. Retighten the handle ① properly. (If the lever of handle ② is not in a good position, press on button ③ on the handle and place the lever ② in a good position that no risk of injury to the hands can appear.)

To remove the armrests from the electric wheelchair:

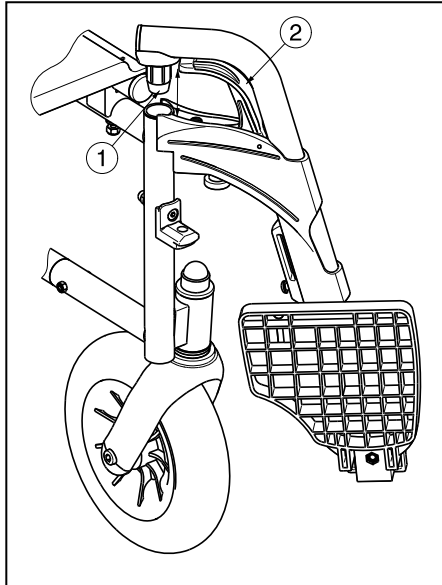
1. Turn on the handle ① until it come loose. (If the lever of handle ② is not in a good position, press on button ③ on the handle and place the lever ② in a good position that no risk of injury to the hands can appear.)
2. Remove the armrests ④ out the rectangular tube ⑤.

The armrests are adjustable in different heights over a range of 90 mm (stepless). Keep a safe distance from 10 mm on the bottom of the armrest.

1. Loosen the lever ① a little.
2. Move the rectangular tubes ④ and ⑤ over each other until the desired armrest height.
3. Retighten the lever ① hand-tightened.
4. Check that the lever ① is securely fixed.
5. Adjust the other armrest with the same instructions.

2.8 Mounting or removing of the footrests

⚠ CAUTION: Risk of injury – Make sure that the footrests are firmly fixated.



The mounting of the footrests is done as follows:

1. Hold the footrest sideways at the outside of the wheelchair frame and mount the tube hood ① into the frame.
2. Swing the footrest inwards till it clicks in position.
3. Swing the foot plate downwards.
4. Check that the footrest is well fixated.

To take off the footrests:

1. Pull handle ②.
2. Swing the footrest to the outside of the wheelchair till it comes loose from the guidance.
3. Pull the footrest from tube hood ①.

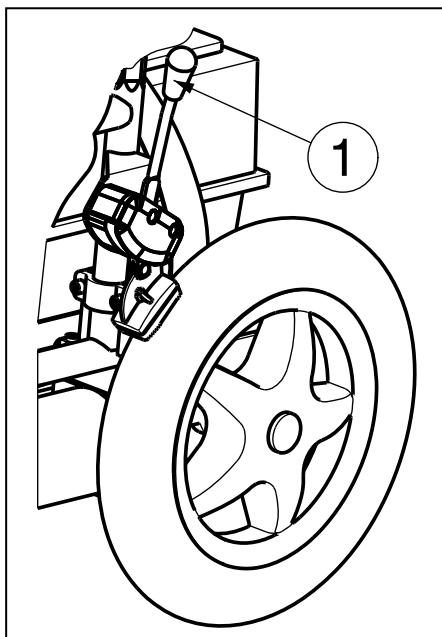
2.9 Operating the parking brakes

For each drive wheel your electric wheelchair has standard parking brakes.

⚠ WARNING: The brakes are not used to slow down the wheelchair during movements – Use the brake only to prevent the wheelchair from unintended movements.

⚠ WARNING: Good operation of the brakes is influenced by wear and contamination of the tires (water, oil, mud, ...) – Check the condition of the tires before each use.

⚠ WARNING: The brakes are adjustable and can wear – Check the operation of the brakes before each use.



To apply the brakes:

1. Push the brake levers ① forward till you feel a distinctive click.

⚠ CAUTION: Risk of unintended movement – Make sure the wheelchair is on a flat horizontal surface before releasing the brakes. Never release both brakes simultaneously.

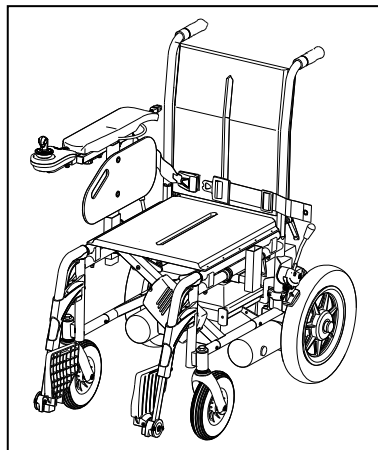
To release the brakes:

1. Release one brake by pulling the lever ① backwards.
2. Release the second brake by pulling the lever backwards.



2.10 Transfer in and out the electric wheelchair

- ⚠ **WARNING:** Power down the wheelchair before getting in or out the wheelchair.
- ⚠ **CAUTION:** In case you cannot perform the transfer in a safe manner, ask someone to assist you.
- ⚠ **CAUTION:** Risk of injury – Do not use the joystick, footplates, armrests as support.
- ⚠ **CAUTION:** Risk of tipping over of the wheelchair – Do not stand on the footplates.



1. Park the electric wheelchair as close as possible to the place where you want to transfer.
2. Check that the operator unit is switched off. Make sure that the wheelchair is NOT in freewheel mode.
3. Fold the footplates upwards to prevent standing on them.
4. If the transfer is on the side of the wheelchair, remove the armrest on that side.
5. Transfer to / from the electric wheelchair.

2.11 Correct position in the electric wheelchair

Some recommendations for a comfortable use of the electric wheelchair:

1. Position your backside as close as possible to the backrest.
2. Make sure your upper legs are horizontal – If needed adjust the length of the footrests.

2.12 Driving the electric wheelchair

- ⚠ **WARNING:** Risk of burns – Be careful when driving in hot or cold environments (sunshine, extreme cold, etc.) for a sufficient amount of time and when touching - Surfaces can assume the environment temperatures.
- ⚠ **WARNING:** Risk of unsafe settings - Use only the driving characteristics described in this manual.

2.12.1 Preparing the electric wheelchair for use

When you start using your electric wheelchair, make sure that it is standing on level ground. All wheels must be in contact with the ground.

1. Make sure that the freewheel mode is OFF and the operator unit is switched off.
2. Adjust the wheelchair best suited for yourself.
3. Set the operator unit in the most comfortable position.
4. Sit down on the seat and verify that both armrests have been adjusted so your forearms are folded down.
5. Put your wheelchair on with the "ON/OFF" button from the operator unit.

Now put the speed control on the operator unit to the minimum position. Your electric wheelchair is now ready for use.

2.12.2 Handling after usage

Before getting off from your electric wheelchair, make sure that all four wheels touch the ground simultaneously.

Push on the "ON/OFF" button from the operator unit, the display of the operator unit goes out.

2.13 Operating the electromagnetic brakes

Let go of the joystick to stop the electric wheelchair.

2.13.1 Parking the electric wheelchair

Once your electric wheelchair has been turned off, no command can be sent to the driving system. Always park your electric wheelchair on sites that are easy accessible and on horizontal surfaces that the four wheels are touching the ground.

2.13.2 Operator units

The instructions for use from the operator units you can find in the separate user manuals of the operator units that is included with your wheelchair.

Changing the software is only allowed by Vermeiren. For changes in the software contact Vermeiren.

2.13.3 Adjusting operator unit

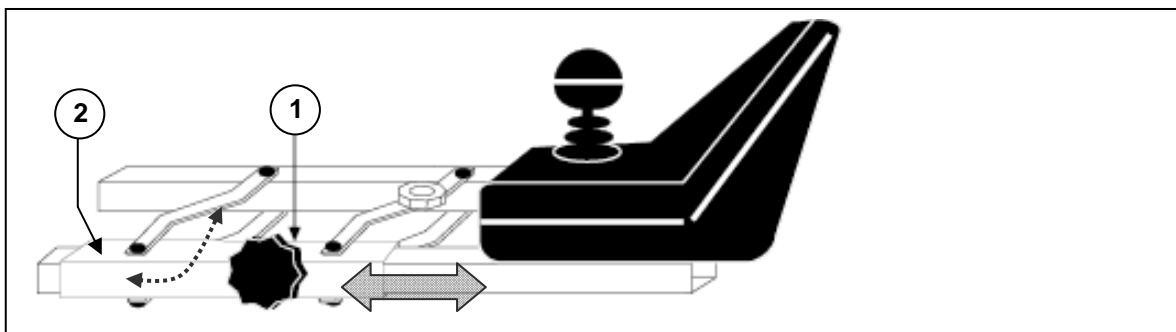
⚠ CAUTION: Risk of pinching - Do not put your fingers between the operator control and the other parts when positioning the operator unit.

The operator unit's horizontal position can be changed:

1. Loosen screw ① just under the armrest a little bit.
2. Move the operator unit to the desired position or remove the operator unit.
3. Retighten screw ① properly.

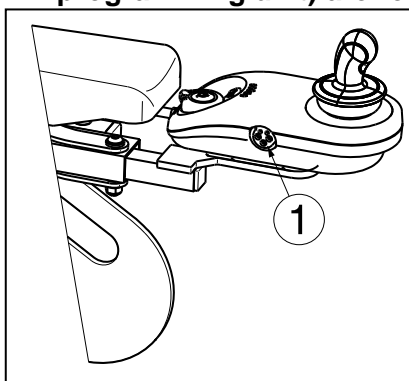
If you pull screw ① to the side, the operator unit can be turned to the side.

NOTE: Depending on the features of your wheelchair, screw ① could also be located beneath the guide tube ②.



2.13.4 Connections for charger / program unit

⚠ WARNING: Risk of injury - Check that all plugs (battery charger and programming unit) are removed before setting the wheelchair in motion.



The socket ① for connecting the charger supplied is located on the front of the operator unit. Here, too, is the connection for the programming unit, which should only be connected and used by authorised persons who have been trained to program it (Vermeiren personnel).

Make sure that the joystick is in the neutral (central) position when pressing the on/off button, otherwise the electronics will be blocked. This block can be lifted by switching the control unit off and then on again.



2.13.5 Your first trip

⚠ WARNING: Control your electric wheelchair - Accustom yourself with the driving behavior of your electric wheelchair.

- Driving

Once you are seated on your electric wheelchair and have started it as described above, take the joystick with your hand and push this in the required direction i.e.:

PUSH ACTION FORWARD	=	FORWARD MOVEMENT
PUSH ACTION BACKWARD	=	BACKWARD MOVEMENT

- Braking

To brake, let go of the joystick, which will let it return to the zero position and slow down your electric wheelchair to a gentle stop. Practice pulling away and braking to get accustomed to the electric wheelchair. You need to be able to estimate how your electric wheelchair will react when you drive or brake.

- Driving in corners and bends

⚠ WARNING: Risk of tipping over - Reduce your speed before you enter a curve or corner.

⚠ WARNING: Risk of clamping - Always maintain an adequate distance from corners and obstacles.

Move the joystick into the position you wish to turn. The front wheels will turn accordingly and steer the electric wheelchair into a new direction. It is very important that you ensure that there is enough space allowing you to go around bends and corners. Narrow passages must preferably be approached in a large curve so as to allow you to enter the narrowest part as straight from the front as possible.

Take care not to enter curves and corners diagonally. By 'cutting the corner', chances are that your rear wheels, back of wheelchair will run into obstacles and destabilize your electric wheelchair.

2.13.6 Backward movement

⚠ WARNING: Control your electric wheelchair - Accustom yourself with the driving behavior of your electric wheelchair.

⚠ WARNING: Control your speed - Always go backward in the lowest speed possible.

⚠ WARNING: Risk of collision - Always look to the back when you go backward.

Backward driving requires increased concentration and care. This explains why we have greatly reduced the speed of backward movement in comparison with forward driving. But we still recommend that you put the speed on minimum when you drive backward.

Left and right controls act inverse when driving backwards.

2.13.7 Going uphill

- ⚠ **WARNING:** Control your electric wheelchair - Accustom yourself with the driving behavior of your electric wheelchair.
- ⚠ **WARNING:** Control your electric wheelchair - Never put your electric wheelchair in freewheel on slopes.
- ⚠ **WARNING:** Control your speed - Move on slopes as slow as possible.
- ⚠ **WARNING:** Risk of tipping over - Do not exceed the maximum gradient of static and dynamic stability uphill (see paragraph "Technical specifications").
- ⚠ **WARNING:** Never reverse going uphill.

Always approach slopes directly from the front and, to avoid tipping over, see that all four wheels stay in contact with the ground at all times (ramps, driveways, etc.).

If you come to a stop on a slope by letting go of the joystick, the engine break will prevent your electric wheelchair from rolling backward. As soon as the joystick returns to zero position, the engine break is activated.

To resume your uphill drive, push the joystick as much as possible to the front to ensure the release of a sufficient amount of power. This will allow your electric wheelchair to slowly ascend the slope.

If your wheelchair is unable to drive up, turn the speed control up and try again.

2.13.8 Going downhill

- ⚠ **WARNING:** Control your electric wheelchair - Accustom yourself with the driving behavior of your wheelchair.
- ⚠ **WARNING:** Control your wheelchair - Never put your electric wheelchair in neutral on slopes.
- ⚠ **WARNING:** Control your speed - Move on slopes as slow as possible.
- ⚠ **WARNING:** Risk of tipping over - Avoid sharp bends.
- ⚠ **WARNING:** Risk of tipping over - Do not exceed the maximum gradient of static and dynamic stability downhill (see paragraph "Technical specifications").

Always approach downhill slopes directly from the front. Slantwise approaches can lead to some of the wheels no longer staying in contact with the ground (danger of tipping over).

The weight of the electric wheelchair will increase your downhill speed. Lower the speed on the operator unit.

Avoid sharp bends on downhill slopes. The weight of your electric wheelchair could cause your electric wheelchair to lift up on one side or even fall over around bends.



2.14 Driving the electric wheelchair on stairs

- ⚠ **WARNING:** Risk of injury - Sit quietly in your wheelchair and avoid jerky movements. If you cannot sit quietly when being transported because of illness or disability (e.g. slightly spastic, etc.), then at least two persons are required to secure the wheelchair on both sides by taking hold of fixed parts of the frame.
- ⚠ **WARNING:** Risk of injury – Wear suitable safety belt systems while being transported (information obtainable from your specialist dealer).
- ⚠ **WARNING:** Risk of injury – Make sure that your arms and legs do not protrude outside the wheelchair while being driving on stairs.

If you want to be taken up or down stairs with the wheelchair, you will need a wheelchair ramps or wheelchair liftsystems.

2.15 Driving the electric wheelchair on ramps

- ⚠ **WARNING:** Risk of injury - Do not exceed the maximum load of the ramps.
- ⚠ **WARNING:** Risk of injury - Choose the correct ramps to prevent injury or damage.
- ⚠ **WARNING:** Risk of injury - Be sure that the wheel height is high enough to get over the free height of the ramps. The electric wheelchair frame may not touch the ramps.
- ⚠ **WARNING:** Risk of injury - Use a restraining safety belt to secure yourself in your wheelchair.
- ⚠ **WARNING:** Risk of tipping over - Put the adjustment functions (seat, backrest, footrests, ...) so that the wheelchair has the best stability.

Should you wish to use ramps to drive over an obstacle, please note the following:

1. Find out from the manufacturer what the maximum load is for the ramps.
2. Drive on the ramps at the lowest speed possible.
3. See the instructions in the chapter "your first trip".

If the wheelchair has adjustment functions, ensure that (because these has influence on the stability of the electric wheelchair):

1. The seat is in the lowest position as possible and in the horizontal position.
2. The backrest is in the upright position.
3. The footrests have been set so that no collision can occur while passing the obstacle.

If another person is pushing you, note that the large weight of the electric wheelchair exerts appreciable reverse forces.

2.16 Pushing the wheelchair




- ⚠ **WARNING:** Control your electric wheelchair - Never put your electric wheelchair in neutral while you are driving.
- ⚠ **WARNING:** Control your electric wheelchair - Never put your electric wheelchair in neutral on slopes. It may accidentally roll away.

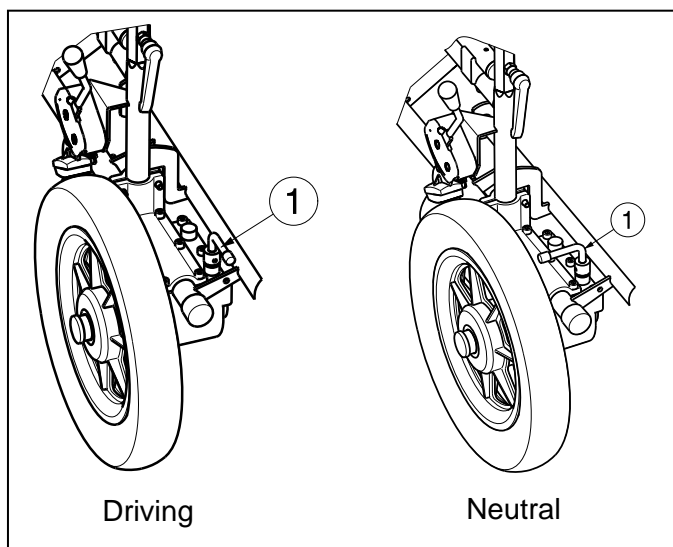
The wheelchair is fitted with a freewheel device that is accessible and operable only by the attendant.

2.16.1 150W motors - 6km/h

Put the chair in neutral with the adjusting levers ① on both motors. These levers are located on the back of the electric wheelchair.

Clutch or declutch the motor by following the instructions below:

-  **DRIVING**
Pull the adjusting levers ① of both motors in the driving position. Loosen the parking brakes. Switch the operator unit out and in. Electronically controlled driving is now possible.
-  **NEUTRAL**
Push the adjusting levers ① of both motors in the neutral position and you will activate the wheelchair's free-running mode. The wheelchair can now be pushed without electronic drive.
-  In free wheel mode, the electronic brake is deactivated and the wheelchair will no longer be held back. Do not activate free wheel mode on slopes.



- ⚠ When free-running is activated, the electromagnetic braking system is deactivated, so the wheelchair is no longer secured against rolling away. Take care not to set the wheelchair down on slopes or uneven terrain, or it may accidentally roll away.
- ⚠ The electronic system will indicate, through the lock symbol flashing, that electronic driving is not possible.



2.17 Transport in the car

- ⚠ **DANGER:** Risk of injury – The wheelchair is not suited for use as a seat in a motor vehicle.
- ⚠ **WARNING:** Risk of injury - No people or objects should be under the electric wheelchair, during transportation.
- ⚠ **WARNING:** Risk of injury - See that the wheelchair is attached properly. So you can avoid injury from the passengers during collision or sudden braking. Make sure that they are only attached to solid parts of the frame.
- ⚠ **WARNING:** Risk of injury- Use for attaching the wheelchair and passenger **NEVER** the same seatbelt.

Never use your wheelchair as a seat in an automobile or other vehicle. The wheelchair shall be marked with following symbol.



To transport the wheelchair in the car use following steps:

The best way to transport your electric wheelchair in the car is to drive the electric wheelchair in the car by using ramps.

When you are not experienced to drive the electric wheelchair by using of ramps you can also put the wheelchair in neutral mode and push the wheelchair in the car by using ramps.

When the wheelchair does not fit in the car it is also possible to transport the wheelchair by the following steps:

1. Remove all moveable parts prior to transporting (footrests, armrests, battery housings etc.).
2. Store moveable parts safely.
3. Place the electric wheelchair in the car with 2 persons by grasping to the fixed parts of the frames.
4. Attach the solid parts of the frame securely to the vehicle.
5. Place the wheelchair in drive mode (engage the parking brakes) and check that the operator unit is switched off.

2.18 Transport in an airplane

The electric wheelchair can be transported in an airplane. Electric wheelchairs shall be checked at the desk. Announce the wheelchair on time by the concern airline before departure. Do not use the electric wheelchair as a seat in an airplane, the wheelchair must be stored in the cargo room.

To transport the wheelchair in an airplane note the following requirements:

1. Type and properties of wheelchair (joystick, batteries)

The wheelchairs shall be foreseen of dry or gel batteries. Mostly these batteries must not be removed out the wheelchair. Only disconnect and insulate the electrical connections on the battery.

2. Dimensions and weight of the wheelchair

The allowable weight and dimensions of the wheelchair depends on the type of the airplane.

3. Damage on the wheelchair

It is possible that the wheelchair could be damaged because the wheelchair will be stored in a narrow area with the suitcases and other goods.

To prevent damage on the wheelchair:

- Put the electrical adjustments in standard position (lift column as low as possible, seat inclination horizontal, back inclination the most forward).
- Fold the footplates upwards, place the armrests in the most inward position.
- Check that the adjustment levers shall positioned inwards.
- Cover the operator unit with an soft material that can withstand shocks.

Before travelling contact the concerned airline about the requirements for transporting the wheelchair in an airplane.

2.19 Batteries

The standard for your electric wheelchair are two closed AGM batteries, 12 V/38 Ah or 50 Ah. The batteries used with your electric wheelchair are drive batteries which only attain full capacity after a few charging and use cycles.

If the batteries loose their power after long usage, or if they are damaged, get them both replaced by a specialist dealer only.

We accept no liability for damage caused through using other types of batteries.

If the batteries are opened, all manufacturer liability and all claims will become void.

Do not use the batteries at temperatures below -5°C or above +50°C (the ideal is: +20°C).

Use only the original batteries. We do not accept any liability for damages resulting from use of other batteries.

2.20 Battery charger

To charge the batteries, only use the battery charger supplied.

For the user instructions of the battery charger you can refer to the manual that is delivered with your battery charger.

2.21 Charging the batteries

⚠ CAUTION: Risk of injury - Only use the battery charger supplied to charge batteries.

As the charger aligns the charge curve with the batteries charge level, you can recharge your wheelchair after each use. This avoids any aggressive battery charging and the "memory effect".

Recharge the wheelchair, at the latest, when the charge indicator on the operator unit goes into the red zone. If, despite this, you continue driving, eventually only the last red diode lights up and flashes continually, indicating that the batteries are nearly flat. If you disregard this warning signal, too, an error message will shortly appear indicating that the batteries can no longer provide power for driving. The batteries should therefore be charged before these error messages appear, using the supplied battery charger. Avoid the batteries becoming drained, in any case.

For the use of the battery charger refer to the separate manual of the battery charger.

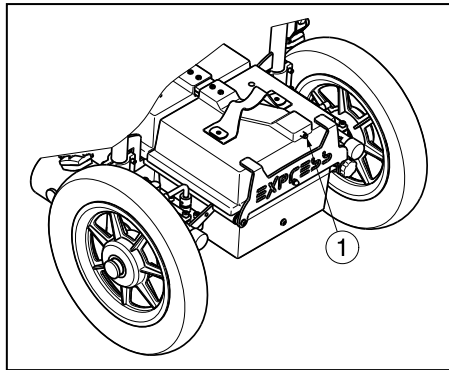
If you decide not to use your electric wheelchair for an appreciable period, you must nevertheless recharge it regularly to keep it in a running condition ready for immediate use.

The manufacturer accepts no liability for damage caused by improper charging.

For further information, please refer to the user instructions provided with the charger.



2.22 Thermal fuse



To protect the motor against overload, on the back of the wheelchair topside of the first battery housing, there is a thermal safety mechanism ① that will automatically cut off the motor to prevent overheating and thus rapid wear and tear or breakdowns. This can occur if you go up or down slopes that exceed the maximum gradient indicated. Nominal loads exceeding the maximum could also trigger the safety mechanism.

To be able to use the electric wheelchair again, remove the overload and wait till the motor has cooled down. Then gently press the thermal safety mechanism back in. Your wheelchair is now ready for use again.

3 Installation and adjustment

The instructions in this chapter are for the specialist dealer only.

The Express VB has been designed as a rear wheel drive electric wheelchair.

- ⚠ **WARNING:** Risk of unsafe settings - Use only the settings described in this manual.
- ⚠ **WARNING:** Risk of tipping over - Variation allowed adjustments can still change the stability of your wheelchair (tilt back or sideways).

3.1 Tools

To set up the wheelchair the following tools are needed.

- Wrench set n° 10
- Allen keyset n° 4 to n° 5

3.2 Manner of delivery

The electric wheelchair shall be delivered with:

- Framework with armrests, operator unit, rear and front wheels, seat and backrest
- 1 pair of footrests
- 2 separate drive batteries + battery housings, 2 x drive motors
- Battery charger + manual battery charger
- Electronics
- Tools
- Operator unit + manual operator unit
- Accessories

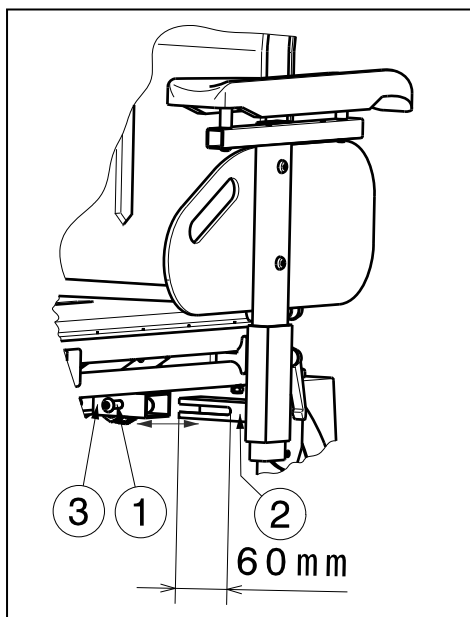
Before use, check that everything is included and that no products are damaged (example by transport, ...). Please note that the basic configuration may differ in different European countries. Contact your specialist dealer.

3.3 Possible adjustments

- ⚠ **WARNING:** Risk of injury - Turn the electric wheelchair off before you perform any adjustments.
- ⚠ **WARNING:** Risk of injury - Never perform any adjustments while you are driving.
- ⚠ **WARNING:** Risk of injury - Adjustments may only be performed by your specialist dealer.
- ⚠ **WARNING:** Risk of injury - Make sure all screws, levers are firmly secured before driving with your electric wheelchair.
- ⚠ **CAUTION:** Risk of clamping – Keep fingers, buckles and clothes away from the attachment points or any moving parts.

3.3.1 Adjusting the armrests

The width of the armrests can be adjusted in horizontal direction.



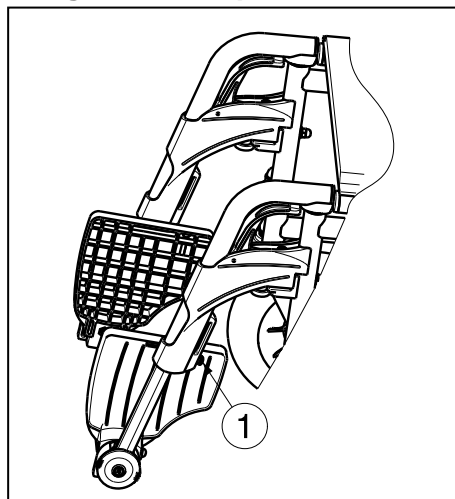
1. Loosen the hexagon socket set screws ① just under the seat frame.
2. Move the armrest in an horizontal direction until the correct position, by moving the rectangular tubes ② and ③ over each other. (Range 60 mm: step less)
3. Retighten the screws ① properly.
4. Repeat instructions above for the other armrest.

Check that the armrests are positioned identically on both sides.

3.3.2 Adjusting of the footrests

* Adjusting length:

- ⚠ **CAUTION:** Risk of damage – Avoid that the footrests make any contact with the ground. Keep a minimum distance from 30 mm above the ground.



Adjust the length of the footrests as follow:

1. Remove the screw ① (on the back of the footrests).
2. Adjust the length of the footrest to a comfortable length (range: 120 mm, stepless).
3. Tighten the screw ① properly.

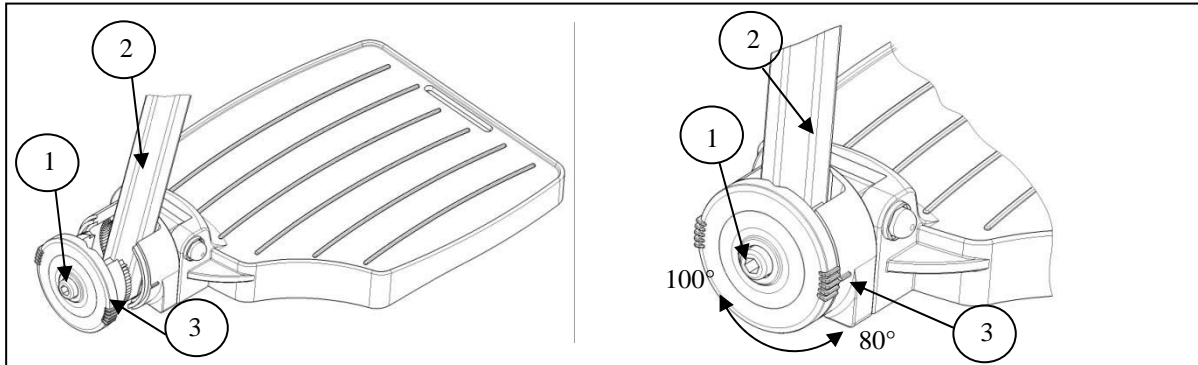


* Adjusting the footplates:

The footplates can be used in 2 positions. Standard they are adjusted with the base plate in the back position.

The footplates can be adjusted to the front by switching the left and right footplate.

* Adjusting the footplates:



Adjust the angle of the footplates as follow:

1. Loosen bolt ①.
2. Adjust tube ② in the desired angle. The angle indication (80°-85°-90°-95°-100°) is according the dashes ③.
3. Retighten the bolt ①.

3.4 Battery connections

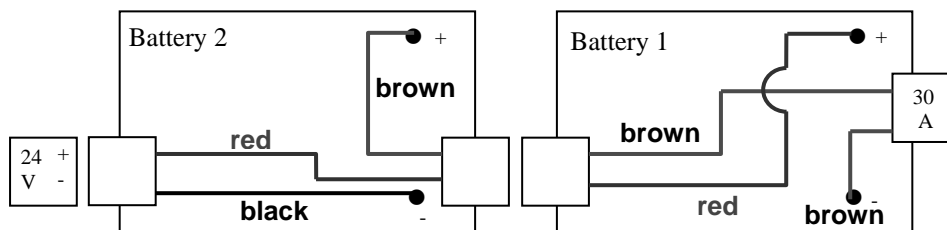
⚠ CAUTION: Risk of injury - Check that no tools or other conductive objects come between the batteries poles, to avoid unintentionally current flows.

⚠ CAUTION: Risk of injury, damages - Do not work in a humid environment with batteries and electronics.

The best way to disconnect the batteries:

1. Disconnect battery 1.
2. Disconnect battery 2.

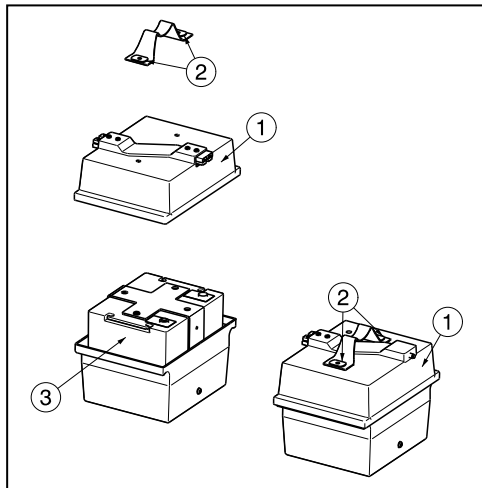
To connect the batteries use the reverse order.



3.5 Changing the batteries

⚠ CAUTION: Risk of burns – Do not come in contact with the acid from the batteries. See for a good ventilation of the battery compartment.

The battery shall be changed by trained personnel.



The battery can be changed according following steps:

1. Remove the two battery housings from the wheelchair.
2. Remove the battery cover ① by loosen the bolts ② on the handgrip ③.
3. Disconnect all the wires on the batteries.
4. Lift the batteries ③ out the battery housing.
5. Place the new batteries in the battery housing.
6. Connect all the wires to the batteries.
7. Replace the battery cover ① with the bolts ②.

3.6 Tyre changing

⚠ CAUTION: There must be no air in the tube before the tyre can be removed.

⚠ CAUTION: Risk of damage - If handled improperly, the rim might become damaged.

Only an expert can guarantee correct assembly. Work not done by your specialist dealer, would void any warranty claims.

Use only inflating equipment which complies to regulations and indicates the pressure in bar. We do not accept any liability for damage caused by using inflation equipment or wheels not supplied by the manufacturer.

⚠ WARNING: Risk of injury - Check that the pressure is correct.

⚠ CAUTION: Risk of injury - Make sure that no objects, body parts or inner tubes are pinched between the tyre and the rim when mounting a tyre.



- **Steering wheels (front wheels)**

Removing tyre from rim:

1. Let all the air out of the tube.
2. Insert a tyre lever between the tyre and the rim.
3. Slowly and carefully push the lever downwards. This will pull the tyre over the edge of the rim.
4. Move the lever along the rim, the tyre will jump out.
5. Now carefully remove the tyre from the rim and then remove the tube.

Note the following before inserting the new tube:

Check the rim bed and the inside wall of the tyre for foreign matter and clean these properly if necessary. Check the condition of the rim bed, especially around the position of the air valve. Please use only genuine original replacement parts. No liability is accepted for damage caused by non-genuine replacement parts. Kindly contact your specialist dealer.

Assembly tyre from rim:



Put the deflated tube around the center of the rim. Make sure that the valve juts out the valve opening in the rim.



Push the tyre over the edge of the rim, starting behind the air valve. Inflate the tube slightly until it is round, and place it inside the tyre.



If the tube fits snugly inside the tyre without any folds (in the case of folds: let out some air), then the upper side of the tyre can be pressed lightly onto the rim with both hands, starting at the air valve.

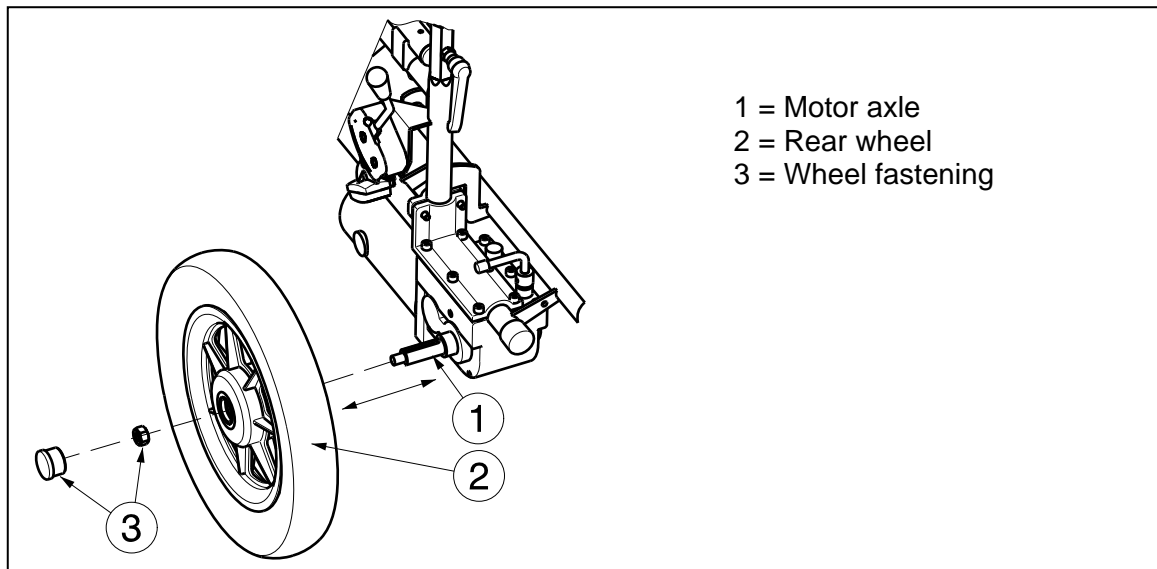
Check all around on both sides that the tube is not pinched between the rim and the edge of the tyre. Lightly push the air valve inwards and pull it out again to make sure that the tyre is positioned properly in the region of the air valve.

To ensure that the wheel is inflated correctly, admit only so much air initially that the tyre can still be easily pushed inwards by using your thumbs. If the check-lines are equidistant from the edge of the rim on both sides of the tyre, then the tyre is centered properly. If not - let out the air and position the tyre afresh. Now the tyre can be inflated to its full operating pressure (note the maximum) and the valve cap should be replaced.

When inflating the tyres, always check that the pressure is correct. The correct pressure is given on the tyre sides.

- **Driving wheels (rear wheels)**

⚠ WARNING: Risk of injury - Make sure all screws are firmly secured by hand before driving with your electric wheelchair.



DISMANTLING

1. Loosen and remove the wheel fastenings ③.
2. Take the complete rear wheel ② from the motor axle ①.

ASSEMBLY

1. Make the threads and Motor axle free from dirt and grease the threads.
2. Mount the rear wheel on the motor axle so that the wheel hub fits on the motor axle groove.
3. Secure the wheels firmly with the nut (wheel fastenings ③).

4 Maintenance

For the maintenance / cleaning instructions refer to the separate maintenance manual of the electric wheelchairs. Refer for these separate manual to your specialist dealer.

Table des matières

1	Description du produit.....	3
1.1	Utilisation prévue	3
1.2	Spécifications techniques	4
1.3	Composants	6
1.4	Accessoires	6
1.5	Explication des symboles	6
1.6	Consignes de sécurité	7
2	Utilisation	8
2.1	Explication de la compatibilité électromagnétique (EMC)	8
2.2	Transport du fauteuil électrique	10
2.3	Montage et démontage du fauteuil électrique.....	10
2.4	Plier et déplier le fauteuil roulant	10
2.5	Montage ou retrait du dossier	11
2.6	Monter ou enlever le boîtier de la batterie.....	11
2.7	Placer ou enlever les accoudoirs.....	12
2.8	Placer ou enlever les repose-pieds.....	13
2.9	Utilisation des freins de stationnement.....	13
2.10	Transfert dans et hors du fauteuil électrique.....	14
2.11	Position correcte dans le fauteuil électrique	14
2.12	Rouler avec le fauteuil électrique	15
2.13	Utilisation des freins électromagnétiques.....	15
2.14	Rouler avec le fauteuil électrique sur des escaliers	18
2.15	Conduire le fauteuil électrique sur des rampes.....	18
2.16	Pousser le fauteuil roulant	19
2.17	Transport en voiture.....	20
2.18	Transport dans un avion.....	21
2.19	Batteries	21
2.20	Chargeur de la batterie.....	22
2.21	Chargement des batteries	22
2.22	Fusibles thermique.....	22
3	Installation et réglage.....	23
3.1	Outils	23
3.2	Mode de livraison	23
3.3	Réglages possibles	23
3.4	Raccordement des batteries	25
3.5	Remplacement des batteries	26
3.6	Changer les pneus.....	26
4	Maintenance	28



Préface

Nous tenons tout d'abord à vous remercier de nous avoir fait confiance en choisissant l'un de nos fauteuils roulants.

La durée de vie attendue de votre fauteuil roulant électrique est fortement influencée par l'entretien et la maintenance dont il bénéficie.

Ce manuel vous familiarise avec la commande de votre véhicule électrique.

Le respect des instructions d'utilisation et des instructions de maintenance est une condition essentielle de la garantie.

Ce manuel reflète les derniers développements du produit. Vermeiren est autorisé à apporter des modifications sans devoir pour autant adapter ou remplacer les modèles fournis précédemment.

Pour toute question, consultez votre distributeur.

1 Description du produit

1.1 Utilisation prévue

Le fauteuil électrique Express est équipé de deux moteurs qui peuvent fournir chacun une puissance de 150 W.

Le fauteuil électrique Express a pour objectif de transporter d'une manière confortable des personnes qui ne peuvent pas marcher ou qui marchent avec difficulté. Ce fauteuil électrique est conçu pour le transport d'une personne.

Le fauteuil électrique est conçu pour transporter uniquement des personnes, et non des objets.

Le fauteuil électrique ne peut pas non plus être utilisé par des personnes qui ne sont pas en mesure, en raison de limites physiques ou mentales claires, d'utiliser le fauteuil électrique en toute sécurité dans la circulation.

Les différents types d'équipements et d'accessoires et la construction modulaire permettent une utilisation complète par des personnes souffrant des handicaps suivants:

- paralysie,
- de la perte de membres (amputation des jambes),
- déficience ou malformation de membres,
- de contractions ou d'affections articulaires
- insuffisances cardiaques et mauvaise circulation sanguine,
- troubles de l'équilibre,
- cachexie (perte musculaire),

Le fauteuil roulant électrique ne doit pas être utilisé par des personnes susceptibles de tomber du fauteuil roulant électrique, ou utiliser des ceintures de sécurité.

Le fauteuil roulant électrique est classé dans la classe A.

Le fauteuil roulant électrique convient pour une utilisation à l'intérieur et une utilisation limitée à l'extérieur par l'utilisateur.

L'utilisateur peut faire avancer lui-même le fauteuil ou le faire pousser par un accompagnateur à l'aide de la barre du poussoir.

En cas de fourniture pour des besoins individuels :

- de la taille et du poids corporel (maximum 90 kg)
- de l'état physique et psychologique,
- la nature de la résidence,
- l'environnement

Votre fauteuil roulant électrique peut uniquement être utilisé sur des sols que les quatre roues touchent et avec lesquels le contact est suffisant pour un fonctionnement sûr.

Il est recommandé de s'entraîner à un usage sur des surfaces irrégulières (pavés, etc.), pentes, courbes et à passer des obstacles (bordures de trottoirs, etc.). Un sol avec de la glace, de l'herbe, des graviers, des feuilles, etc. est particulièrement dangereux.

Le fauteuil électrique ne fait pas office d'engin d'escalade ou pour transporter des objets chauds ou lourds.

Si vous désirez utiliser le fauteuil électrique sur le trottoir et sur des sentiers, vous devez respecter les dispositions légales en vigueur.

Le fauteuil électrique peut être utilisé sur des sentiers, des routes dans l'agglomération. La conduite sur des voies rapides et des autoroutes est interdite dans tous les cas.


Utilisez uniquement des accessoires approuvés par Vermeiren.

Le fabricant n'est pas responsable des dommages causés par l'absence ou l'inadéquation de l'entretien, ou par le non-respect des instructions de ce manuel.

Les personnes souffrant de problèmes visuels peuvent prendre contact avec le revendeur pour les instructions d'utilisation.

1.2 Spécifications techniques

Les données techniques ci-dessous sont valables pour le fauteuil roulant électrique dans des réglages standards et dans des conditions environnementales optimales. Lorsque d'autres accessoires sont utilisés, les valeurs données sont modifiées. En cas de changements de la température extérieure, de l'humidité de l'air, des inclinaisons, des pentes, du sol et de l'état de la batterie, les paramètres de prestations peuvent être limités.

Marque	Vermeiren				
Adresse	Vermeirenplein 1/15, B-2920 Kalmthout				
Type	Fauteuil roulant électrique, classe A				
Modèle	Express VB				
Poids max. du patient	90 kg				
Description	Dimensions				
Largeur d'assise efficace	390 mm	420 mm	440 mm	460 mm	500 mm
Largeur totale (en fonction de la largeur d'assise)	580 mm	610 mm	630 mm	650 mm	690 mm
Description	Dimensions minimums		Dimensions maximums		
Vitesse maximale	6 km/u				
Rayon d'action*	Env. 18 km (Batterie: 38 Ah) Env. 25 km (Batterie: 50 Ah)				
Longueur totale avec repose-jambe	950 mm				
Hauteur totale (avec dossier)	960 mm				
Longueur plié / démonté (sans repose-pieds, boîtier pour la batterie)	790 mm				
Largeur plié / démonté (fauteuil roulant déplié)	400 mm				
Hauteur plié / démontée (dossier plié, sans accoudoir)	710 mm (pour une largeur d'assise de 460 mm, en fonction de la largeur d'assise)				
Masse totale	De 67 kg (pour une largeur d'assise de 390 mm; en fonction de la largeur d'assise et des accessoires éventuels)				
Poids de la partie la plus lourde (qui peut être démontée ou enlevée)	Cadre, accoudoir + joystick, coussin d'assise, coussin du dossier : De 29,95 kg				
Des masses de pièces qui peuvent être démontés ou retirés	Accoudoir avec joystick : 1,60 kg ; Repose-pieds : 1,85 kg ; Boîtier de la batterie : 15,90 kg / pièce ; (Batteries : 13,5 kg / pièce); Dossier : 1,80 kg				
Stabilité statique en descente	7,5°				
Stabilité statique en montée	12°				
Stabilité statique latérale	10°				
Pente sécurisée maximale	7°				
Passage d'obstacle	15 mm				
Garde au sol	30 mm				
Angle du plan d'assise	5°				



Marque	Vermeiren	
Adresse	Vermeirenplein 1/15, B-2920 Kalmthout	
Type	Fauteuil roulant électrique, classe A	
Modèle	Express VB	
Poids max. du patient	90 kg	
Profondeur d'assise efficace	430 mm	
Description	Dimensions minimums	Dimensions maximums
Épaisseur du coussin d'assise	40 mm	
Hauteur de la surface d'assise sur le bord avant (avec coussin d'assise)	540 mm	
Angle du dossier	5°	
Hauteur du dossier	430 mm	
Distance entre le repose-pied et le siège	400 mm	520 mm
Angle entre le repose-pied et la palette	80 °	100 °
Angle entre le repose-pied et le siège	105°	
Angle entre la palette et le siège	5°	25°
Distance entre l'accoudoir et le siège	225 mm	315 mm
Emplacement avant de la structure des accoudoirs	400 mm	
Moteurs d'entraînement	2 x 150W + Système de freinage électromagnétique	
Batteries	2 x 12V --- AGM / 38 Ah ou 50 Ah / 20 h	
Chargeur de batterie	Voir le mode d'emploi séparé du chargeur de batterie (Utilisez UNIQUEMENT le chargeur de batterie fourni en même temps que le fauteuil roulant)	
Fusibles thermique	30 Amp	
Commande	Voir le mode d'emploi séparé de la commande	
Rayon de braquage minimal	Env. 1400 mm	
Largeur nécessaire pour se tourner	Ne s'applique pas	
Diamètre des roues arrière (nombre)	12 1/2 x 2 1/4" air (2)	
Pression des pneus, roues arrière **	Max. 2,5 bars	
Diamètre des roues avant (nombre)	8 x 1 3/4 mm air (2)	
Pression des pneus, roues avant **	Max. 2,5 bars	
Niveau acoustique	< 65 dB (A)	
Température de stockage et d'utilisation	-20 °C à +40 °C	
Température d'utilisation de l'électronique	-10 °C à +40°C	
Humidité de stockage et d'utilisation	30%	70%
<p>Nous nous réservons le droit d'apporter des modifications. Tolérance de mesures ± 15 mm / 1,5 kg / °.</p> <p>* Le rayon d'action théorique sera réduit si le fauteuil est souvent utilisé sur des inclinaisons, des terrains inégaux ou des bordures de trottoir.</p> <p>**Étant donné que différents pneus peuvent être utilisés, contrôlez la bonne pression des pneus du pneu que vous utilisez. Consultez votre spécialiste pour d'autres diamètres des pneus.</p>		

Tableau 1 : Spécifications techniques

Le fauteuil roulant satisfait aux exigences posées dans :

ISO 7176-8: Exigences et méthodes de test pour les forces statiques, d'impact et de fatigue.

ISO 7176-14: Fauteuils roulants – Partie 14 : Puissance et systèmes de conduite pour les fauteuils roulants électriques - Exigences et méthodes de test

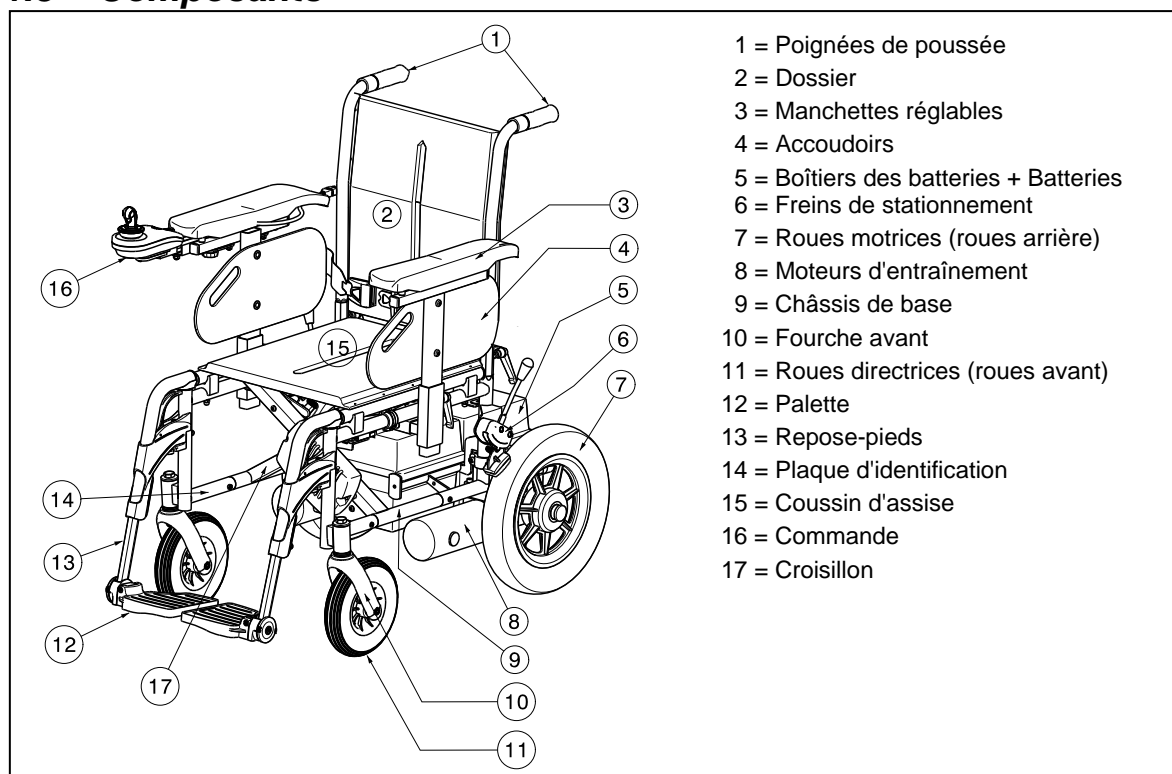
la norme EN 1021-1 : Meubles - Evaluation de l'allumabilité des meubles garnis -

Partie 1 : Cigarette fumante comme source d'inflammation

la norme EN 1021-2 : Meubles - Evaluation de l'allumabilité des meubles garnis -

Partie 2 : Equivalent de la flamme d'une allumette comme source d'inflammation

1.3 Composants



1.4 Accessoires

Les accessoires suivants sont disponibles pour le fauteuil électrique Express VB :

- Inclinaison du dossier (SE52)
- Dossier et assise préformés (L24 / L25)

1.5 Explication des symboles



Poids maximum



Usage intérieur et (limitée) extérieur



Utilisation pour l'intérieur (uniquement pour le chargeur de la batterie)



Collecte et recyclage séparés d'équipements électriques et électroniques (uniquement pour le chargeur de la batterie)



Classe de protection II



Pente sécurisée maximale



Conformité CE



Vitesse maximale

km/h



Position : Frein de stationnement activé (conduite électrique possible)



Position : Frein de stationnement désactivé (point mort et pousser possible, conduite électrique impossible)



Attention dans le cas du point mort dans des côtes et inclinaisons



Ne convient pas pour être utilisé comme siège dans un véhicule motorisé



Désignation type

1.6 Consignes de sécurité

- ⚠ Veillez à ce qu'aucun objet et/ou parties du corps ne se placent entre les jantes des roues d'entraînement. Cela peut en effet causer des lésions et/ou des dommages au fauteuil roulant.
- ⚠ Suivez le mode d'emploi de votre fauteuil roulant. Par exemple, évitez de rouler sans freiner contre un obstacle (marche, bord du trottoir) ou un rebord.
- ⚠ En vous installant ou en quittant votre fauteuil roulant, veillez à ne pas marcher sur les repose-pieds. La palette doit d'abord être repliés vers le haut.
- ⚠ Observez les effets sur le comportement du fauteuil roulant lorsque vous déplacez son centre de gravité, sur une pente ou une montée, sur un sol avec une pente latérale ou lors du franchissement d'obstacles par exemple. Faites-vous aider par un accompagnateur.
- ⚠ Lorsque vous prenez des objets (qui se trouvent devant, à côté ou derrière le fauteuil roulant), veillez à ne pas trop vous pencher en dehors du fauteuil roulant. car il y a un risque de basculement en raison du déplacement du centre de gravité.
- ⚠ Lorsque vous franchissez des portes, des arches, etc., assurez-vous d'avoir assez d'espace sur les côtés de façon à ne pas coincer ou écraser vos mains ou vos bras et à ne pas endommager votre fauteuil roulant.
- ⚠ Évitez de rouler contre un obstacle sans frein (bordure de trottoir, pierres, seuils de porte, etc.) ou de sauter des marches. Le fabricant n'est pas responsable des dommages et conséquences d'une surcharge ou de chocs lors de l'utilisation non conforme à l'objet du produit.
- ⚠ En cas d'utilisation sur la voie publique, vous devez respecter les règlements locaux. Sous l'influence de médicaments ou d'alcool, vous diminuez votre capacité à rouler.
- ⚠ Lors de déplacements à l'extérieur, adaptez votre conduite aux conditions climatiques et du trafic. Il vaut mieux ne pas utiliser le fauteuil électrique lorsqu'il pleut.
- ⚠ Ne mettez jamais le fauteuil électrique au point mort dans des côtes.
- ⚠ Dans des côtes, ne faites pas marche arrière.
- ⚠ Réduisez votre vitesse lorsque vous prenez un virage.
- ⚠ Afin d'améliorer votre visibilité lors d'un déplacement de nuit, Portez des vêtements clairs ou des vêtements avec des réflecteurs et assurez-vous que les réflecteurs du fauteuil roulant et roulez avec les lumières.
- ⚠ Contrôlez si l'éclairage et les réflecteurs de votre fauteuil roulant ne sont pas recouverts de saletés ou d'autres objets.

- ⚠ Lors du transport du fauteuil roulant, ne la saisissez jamais par les pièces mobiles (pneus, accoudoirs, repose-pieds, etc.).
- ⚠ Lorsque le fauteuil roulant électrique est transporté, aucune personne ne peut être transportée.
- ⚠ Il est interdit d'emporter des personnes supplémentaires.
- ⚠ Lorsque vous stationnez ou conservez le fauteuil électrique à l'extérieur, vous devez utiliser une capuche de recouvrement qui protège votre fauteuil électrique contre l'humidité.
- ⚠ En cas d'humidité extrême et de froid, il peut arriver que le fauteuil électrique fonctionne moins.
- ⚠ N'utilisez jamais le fauteuil roulant électrique comme un siège dans une voiture ou dans un autre véhicule.
- ⚠ Ne dépassez jamais la charge maximale de 90 kg.
- ⚠ Utilisez uniquement des accessoires approuvés par Vermeiren.
- ⚠ Désactivez tout d'abord le fauteuil électrique avec le bouton « Marche/Arrêt » sur la commande avant de monter ou de descendre, avant de démonter votre fauteuil électrique ou avant de vouloir le transporter.
- ⚠ Vérifiez que la profondeur du profil des pneus est appropriée.
- ⚠ Si votre fauteuil roulant électrique est équipé de roues pneumatiques, assurez-vous que les pneus aient suffisamment de pression (les bonnes valeurs sont mentionnées sur les pneus).
- ⚠ Vous pouvez seulement emprunter des escaliers à l'aide d'un accompagnateur. Si vous pouvez utiliser des côtes ou des ascenseurs, faites-le.
- ⚠ Risque de lésions dans le cas d'un arrêt brutal - Utilisez toujours pour ce faire une ceinture de sécurité.
- ⚠ Utiliser les ceintures de sécurité pour les patients turbulents susceptibles de faire des gestes brusques afin d'éviter tout basculement du fauteuil.

2 Utilisation

Ce chapitre décrit l'utilisation quotidienne. **Ces instructions sont destinées à l'utilisateur et au distributeur.**

Pour trouver un service d'entretien ou un revendeur spécialisé près de chez vous, contactez l'établissement Vermeiren le plus proche. Vous trouverez une liste des établissements sur la dernière page.

Le fauteuil roulant électrique est livré entièrement assemblé par votre distributeur. Les instructions pour le réglage du fauteuil roulant électrique sont reprises au § 3.

2.1 Explication de la compatibilité électromagnétique (EMC)

Votre fauteuil roulant électrique est testé en fonction des normes EN 61000-4-3 et EN 61000-4-2 pour la conformité de la compatibilité électromagnétique.

Nous voulons attirer votre attention sur le fait que des problèmes électromagnétiques peuvent être causés et que l'électronique du fauteuil roulant peut elle-même causer des problèmes au niveau d'autres appareils électriques.



Afin de réduire les problèmes électromagnétiques, vous devez tenir compte de ces avertissements :

- ⚠ **AVERTISSEMENT : Le fauteuil roulant peut perturber le fonctionnement des appareils situés à proximité qui envoient des champs électromagnétiques.**
- ⚠ **AVERTISSEMENT : Les caractéristiques de conduite du fauteuil roulant peuvent être influencées par les champs électromagnétiques (par exemple : les générateurs d'électricité ou les sources avec une puissance élevée).**
- ⚠ **AVERTISSEMENT : N'utilisez pas de télévision ou de radio portable à proximité de votre fauteuil roulant aussi longtemps que celui-ci est connecté.**
- ⚠ **AVERTISSEMENT : N'utilisez pas d'intercom à proximité directe de votre fauteuil roulant aussi longtemps que celui-ci est connecté.**
- ⚠ **AVERTISSEMENT : Faites attention dans votre voisinage aux antennes d'émission et évitez l'utilisation du fauteuil électrique à proximité d'antennes de ce genre.**
- ⚠ **AVERTISSEMENT : Lorsqu'il y a des environnements non désirés ou des manoeuvres de freinage, vous devez désactiver le fauteuil électrique dès que vous pouvez le faire en toute sécurité.**

Les champs électromagnétiques peuvent perturber le fonctionnement de l'électronique de commande. Les conséquences possibles sont :

- Désenclenchement du frein moteur
- Mouvement incontrôlable de votre fauteuil électrique
- Mouvements de commande non désirés

Dans le cas de champs très puissants ou provoquant des problèmes continus, toute l'électronique peut être perturbée et endommagée d'une manière irrévocable.

Sources de rayonnement possibles:

- Matériel portable d'émission et de réception (émetteur et récepteur avec antenne intégrée)
 - Intercom
 - Télévision, radio et systèmes de navigation portables
 - D'autres équipements d'émission personnels
- Les installations d'émission et de réception mobiles à moyenne portée (antenne de voiture)
 - Intercom (fixe)
 - Installations mains libre (fixes)
 - Systèmes radio, télévision et navigation (fixes)
- Installations d'émission et de réception pour une longue distance
 - Les tours radio et TV
 - Les installations des amateurs d'émissions radio
- D'autres appareils domestiques
 - Lecteur de CD
 - Notebook
 - Four micro-ondes
 - Enregistreur
 - etc.

Les rasoirs et les tondeuses électriques n'ont aucun effet. Cependant, l'état parfait de ces appareils et de leurs câbles dépend de l'influence. Lisez également les manuels des appareils électriques concernés, afin une utilisation optimale de votre fauteuil roulant.

2.2 Transport du fauteuil électrique

La meilleure manière de transporter le fauteuil électrique est d'utiliser le système de point mort du fauteuil électrique. Mettez le fauteuil électrique au point mort et faites rouler le fauteuil électrique vers l'endroit souhaité, À l'aide des poignées.

Si vous devez porter le fauteuil roulant pour monter ou descendre, faites-le à l'aide de plaques ou de systèmes d'ascenseur pour le fauteuil roulant. Le transport du fauteuil électrique sur des escaliers/des marches doit toujours être exécuté par deux personnes.

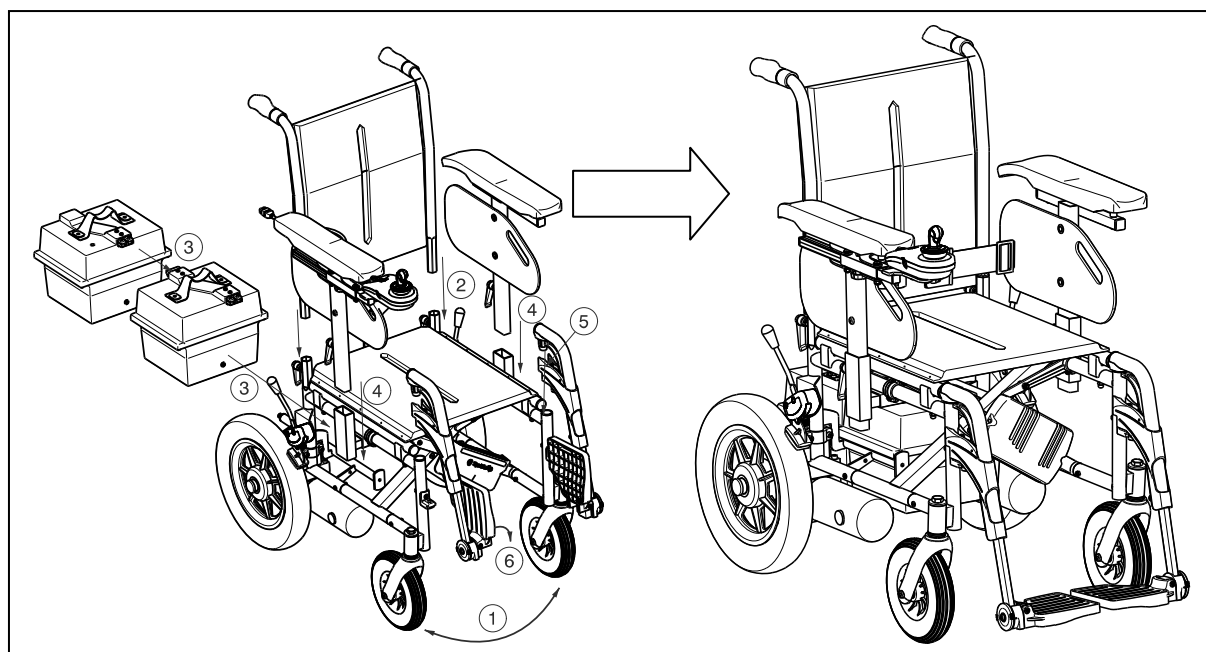
Une autre façon de transporter le fauteuil électrique consiste à le démonter. Transportez les éléments à part (cadre d'assise, accoudoirs, repose-pieds, boîtiers des batteries, dossier) vers l'endroit souhaité. Saisissez uniquement le fauteuil roulant au niveau de partie fixe du cadre d'assise (jamais au niveau des repose-pieds, des accoudoirs et des roues).

2.3 Montage et démontage du fauteuil électrique

Le fauteuil électrique est livré entièrement monté. Votre commerçant fournit le fauteuil roulant entièrement monté et explique les différents éléments de commande et leur utilisation. Toutefois, pour votre propre sécurité, nous vous proposons une explication détaillée ultérieure des différents éléments.

2.3.1 Montage du fauteuil électrique

⚠ ATTENTION : Risque de coincement - Assurez-vous qu'aucun câble ne se coince.



2.4 Plier et déplier le fauteuil roulant

⚠ ATTENTION : Risque de coincement - Gardez vos doigts, boucles et vêtements éloignés des parties mobiles du fauteuil roulant (par exemple : croix ...).

Pour déployer le fauteuil roulant :

1. Placez-vous derrière le fauteuil roulant.
2. Utilisez les poignées pour ouvrir le fauteuil roulant autant que possible.
3. Placez-vous à l'avant du fauteuil roulant.
4. Poussez sur les deux tubes de l'assise vers le bas jusqu'à ce qu'ils soient fixés à leur place.
5. Placez les boîtiers des batteries sur les fils conducteurs.

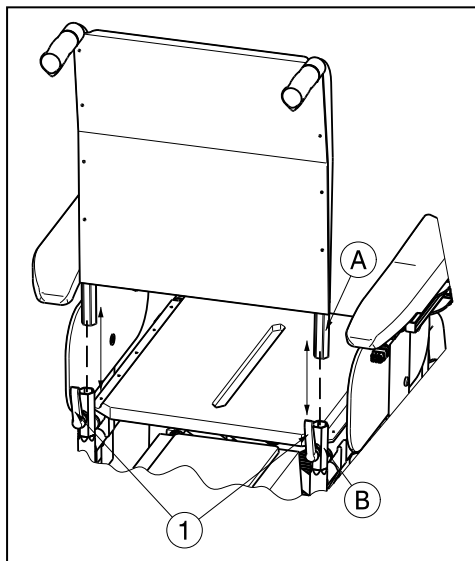
Pour plier le fauteuil roulant :

1. Enlevez les boîtiers des batteries.
2. Pliez ou retirez les repose-pieds (voir § 2.8).
3. Saisissez l'avant et l'arrière du siège et tirez vers le haut.

2.5 Montage ou retrait du dossier

- ⚠ AVERTISSEMENT : Risque de lésions – Assurez-vous que les deux leviers de blocage ① sont correctement encliquetés.**
- ⚠ ATTENTION : Risque de coincement - N'insérez pas vos doigts entre les parties du dossier.**

Le dossier du fauteuil roulant peut être entièrement enlevé et posé sur l'assise pour le transport du fauteuil roulant.



Pour monter le dossier sur le fauteuil électrique :

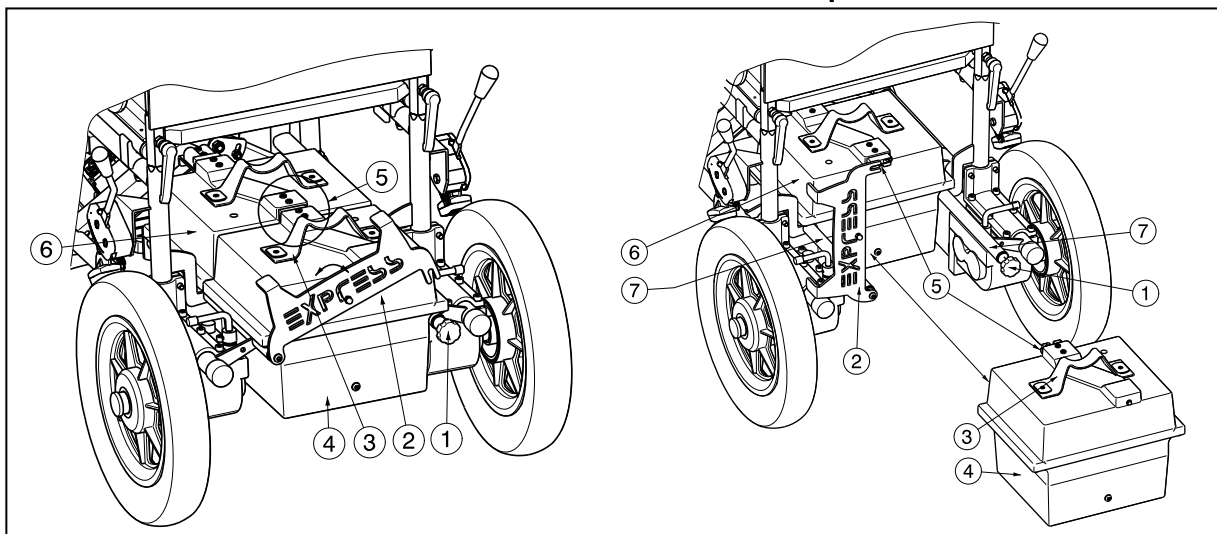
1. Contrôlez que les leviers ① ne sont pas serrés, autrement vous devez d'abord desserrer les leviers ①.
2. Montez les parties du dossier A dans les conduites hexagonales du cadre B.
3. Serrez à nouveau bien les leviers ①.

Pour enlever le dossier du fauteuil électrique :

1. Tournez les leviers ① jusqu'à ce qu'ils se détachent.
2. Enlevez les parties du dossier A des conduites hexagonales du cadre B.
3. Pour le transport, vous pouvez maintenant poser le dossier sur l'assise.

2.6 Monter ou enlever le boîtier de la batterie

- ⚠ ATTENTION : Risque de coincement - N'insérez pas vos doigts entre les boîtiers des batteries et les fils conducteurs du fauteuil électrique.**



Pour monter les boîtiers des batteries sur le fauteuil électrique :

1. Saisir la poignée ③ sur le premier boîtier de batterie (sans fusible thermique) ⑤.
2. Soulevez le logement de la batterie ⑤ sur les rails latéraux ⑦ de votre fauteuil.
3. Appuyez sur le boîtier de la batterie ⑤ autant que possible en dessous du siège du fauteuil roulant.
4. Vérifiez que les connecteurs (batterie, module de puissance) rentrent dans les autres.
5. Saisir la poignée ③ du boîtier de la batterie (avec fusible thermique) ④.
6. Soulevez le logement de la batterie ④ sur les rails latéraux ⑦ de votre fauteuil.
7. Poussez les logements de batterie ④ vers l'arrière.
8. Vérifiez que les connecteurs de la batterie ⑤ tiennent dans l'autre.
9. Tournez la plaque ② vers le bas.
10. Serrez le bouton à croisillon ① manuellement.

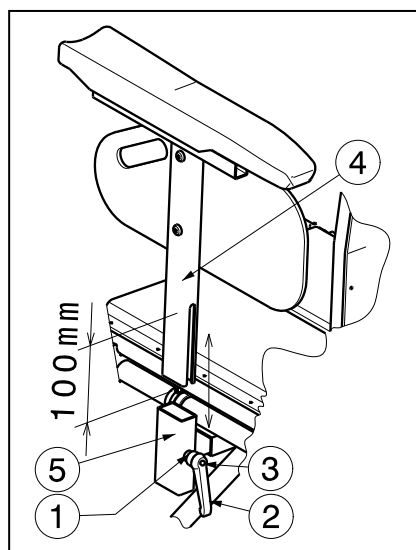
Pour enlever les boîtiers des batteries du fauteuil roulant électrique :

1. Détachez le bouton à croisillon ①.
2. Faites pivoter la plaque ② vers le haut et vers la gauche.
3. Saisir la poignée ③ du premier boîtier de la batterie (avec fusible thermique) ④.
4. Faites glisser le logement de la batterie vers l'arrière jusqu'à ce que les connecteurs de la batterie ⑤ se détachent.
5. Soulevez le premier boîtier de batterie ④ du fauteuil roulant.
6. Faites glisser le second logement de la batterie ⑥ vers l'arrière jusqu'à ce que vous puissiez soulever le boîtier sur le cadre du fauteuil roulant.
7. Soulevez le deuxième boîtier de batterie ⑥ du fauteuil roulant.

2.7 Placer ou enlever les accoudoirs

- ⚠ **AVERTISSEMENT : Danger de lésions et/ou de dommages - Assurez-vous que tous les leviers ① sont bien tournés avant d'utiliser votre fauteuil roulant.**
- ⚠ **AVERTISSEMENT : Risque de basculement – Vérifiez que les accoudoirs sont réglés à la même hauteur de chaque côté.**
- ⚠ **ATTENTION : Risque de basculement - Gardez vos doigts, vos boucles et vos vêtements éloignés du point de fixation des accoudoirs.**

Les accoudoirs peuvent être enlevés, en sorte que le patient peut réaliser un déplacement latéral. Les accoudoirs peuvent également être enlevés à des fins thérapeutiques et pour prendre place / sortir du fauteuil roulant.



Pour monter les accoudoirs sur le fauteuil électrique :

1. Montez l'accoudoir ④ dans le conduit carré ⑤.
2. Fixez à nouveau bien le levier ①. (Si la poignée du levier ② n'est pas bien fixée, vous pouvez appuyer sur le bouton ③ du levier et placer la poignée ② dans la bonne position, en sorte que le risque de blessures aux mains est évité).

Pour enlever les accoudoirs du fauteuil électrique, vous devez procéder de la manière suivante :

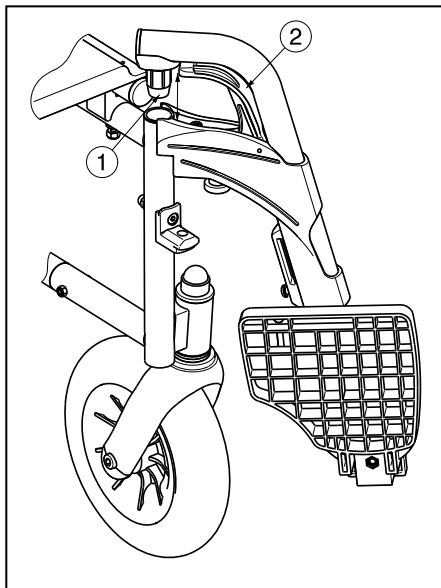
1. Tournez le levier ① jusqu'à ce qu'il se détache. (Si la poignée du levier ② n'est pas bien fixée, vous pouvez appuyer sur le bouton ③ du levier et placer la poignée ② dans la bonne position, en sorte que le risque de blessures aux mains est évité).
2. Enlevez l'accoudoir ④ du conduit carré ⑤.

Les accoudoirs peuvent être réglés dans différentes hauteurs sur une portée de 90 mm (progressivement). Respectez une distance de sécurité de 10 mm sur la partie inférieure de l'accoudoir.

1. Détachez légèrement le levier ① .
2. Déplacez les conduits carrés ④ et ⑤ les uns sur les autres jusqu'à la hauteur souhaitée pour l'accoudoir.
3. Serrez à nouveau le levier ① manuellement.
4. Contrôlez que le levier ① est à nouveau bien fixé.
5. L'autre accoudoir peut être réglé en suivant les mêmes instructions.

2.8 Placer ou enlever les repose-pieds

⚠ ATTENTION : Risque de blessures - Assurez-vous que les repose-pieds sont bien fixés.



L'installation des repose-pieds se fait de la manière suivante :

1. Mettez le repose-pied latéralement vers l'extérieur du cadre et montez le repose-pied avec l'embout ① dans le cadre.
2. Faites tourner le repose-pied vers l'intérieur jusqu'à ce qu'il se fixe.
3. Tournez la palette vers le bas.
4. Contrôlez que le repose-pieds est à nouveau bien fixé.

Vous devez procéder de la manière suivante pour enlever les repose-pieds :

1. Tirez le levier ② vers le haut.
2. Basculez le repose-pied vers l'extérieur du fauteuil roulant jusqu'à ce qu'il soit libéré du guide.
3. Tirez le repose-pied hors du logement de tube ①.

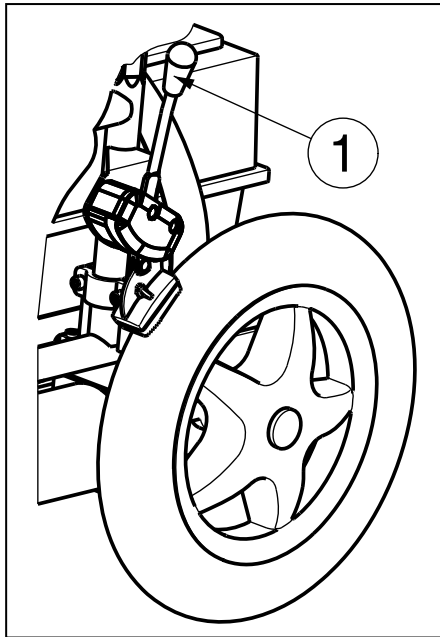
2.9 Utilisation des freins de stationnement

Votre fauteuil électrique est pourvu de freins de stationnement pour chaque roue d'entraînement.

⚠ AVERTISSEMENT : Les freins n'ont pas pour but de ralentir le fauteuil roulant lors de déplacements – Ne les utilisez que pour éviter des mouvements non souhaités.

⚠ AVERTISSEMENT : Le fonctionnement du freins à mains ont influencé par l'usure et les salissures des pneus (eau, huile, boue...). Vérifiez l'état des pneus avant chaque utilisation.

⚠ AVERTISSEMENT : Les freins sont réglables et sont sujets à l'usure – Vérifiez leur fonctionnement avant chaque utilisation.



Pour actionner les freins :

1. Poussez les poignées de freins ① vers l'avant jusqu'à ce que vous sentiez un clic net.

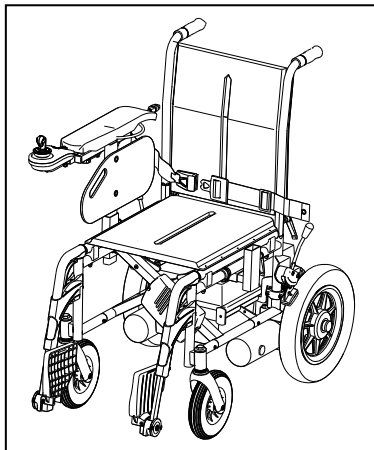
⚠ ATTENTION : risque de mouvements non souhaités. Vérifiez que le fauteuil roulant se trouve sur une surface horizontale plane avant de relâcher les freins. Ne désactivez jamais les deux freins en même temps.

Pour relâcher les freins :

1. Relâchez un frein en tirant la poignée ① vers l'arrière.
2. Relâchez le deuxième frein en tirant la poignée vers l'arrière.

2.10 Transfert dans et hors du fauteuil électrique

- ⚠ AVERTISSEMENT : Avant de prendre place ou de sortir du fauteuil roulant, vous devez désactiver le fauteuil roulant.**
- ⚠ ATTENTION : Si vous ne pouvez pas réaliser le transfert en toute sécurité, demandez à quelqu'un de vous aider.**
- ⚠ ATTENTION : Risque de lésions - N'utilisez pas de manette, de plaques pour les pieds, d'accoudoirs comme support.**
- ⚠ ATTENTION : risque de basculer hors du fauteuil roulant. Ne vous levez pas sur les palettes.**



1. Stationnez le fauteuil électrique le plus près possible de l'endroit duquel/vers lequel vous désirez vous déplacer.
2. Contrôlez que la commande est désactivée. Vérifiez que le fauteuil n'est PAS au point mort.
3. Pliez les plaques des repose-pieds vers le haut pour éviter de prendre appui sur elles.
4. Si vous voulez vous déplacer dans ou en dehors du fauteuil électrique le long du côté, vous pouvez enlever l'accoudoir qui se trouve de ce côté.
5. Déplacez-vous de ou vers le fauteuil électrique.

2.11 Position correcte dans le fauteuil électrique

Voici quelques recommandations pour utiliser confortablement votre fauteuil électrique :

1. Placez votre dos aussi proche que possible du dossier.
2. Assurez-vous que vos cuisses soient horizontales. Réglez la longueur des repose-pieds si nécessaire

2.12 Rouler avec le fauteuil électrique

- ⚠ **AVERTISSEMENT** : Risque de brûlures – Soyez prudent lorsque vous vous déplacez dans des environnements chauds ou froids (lumière du soleil, froid extrême, etc.) pendant une certaine durée et lorsque vous le touchez - Les surfaces peuvent prendre la température de l'environnement.
- ⚠ **AVERTISSEMENT** : Risque dans le cas de limites non sécurisées – Utilisez uniquement les caractéristiques de conduite décrites dans ce manuel.

2.12.1 Monter dans le fauteuil électrique

Lorsque vous utilisez le fauteuil électrique pour la première fois, vous devez veiller à ce que le fauteuil électrique se trouve sur une surface plane. Toutes les roues doivent toucher le sol.

1. Contrôlez si le couplage du moteur est activé et si la direction est désactivée.
2. Adaptez le fauteuil roulant le plus possible à votre confort.
3. Placez la commande dans la position la plus confortable.
4. Asseyez-vous et vérifiez que les deux accoudoirs sont réglés afin que vos bras puissent reposer dessus.
5. Activez votre fauteuil roulant avec le bouton « Marche/Arrêt » de la commande.

Mettez maintenant le régulateur de vitesse de votre commande dans la position la plus basse. Votre fauteuil électrique peut maintenant être utilisé.

2.12.2 Sortir du fauteuil électrique

Avant de sortir, vous devez stationner le fauteuil électrique afin que toutes les roues touchent en même temps le sol.

Appuyez sur le bouton « ON/OFF » de la commande, l'écran de la commande s'éteint.

2.13 Utilisation des freins électromagnétiques

Lâchez le joystick pour arrêter le fauteuil roulant électrique.

2.13.1 Stationner votre fauteuil électrique

Lorsque votre fauteuil électrique est désactivé, aucun ordre de conduite ne peut plus être donné. Stationnez toujours votre fauteuil électrique dans des emplacements facilement accessibles et bien visibles et sur des bases horizontales, en sorte que les quatre roues touchent le sol.

2.13.2 Commandes

Les instructions d'utilisation pour la commande se trouvent dans le mode d'emploi distinct de la commande. Ce mode d'emploi est livré en même temps que votre fauteuil électrique.

Les modifications du logiciel peuvent être uniquement effectuées par Vermeiren. Pour des adaptations du logiciel, contactez Vermeiren.

2.13.3 Réglage de la commande

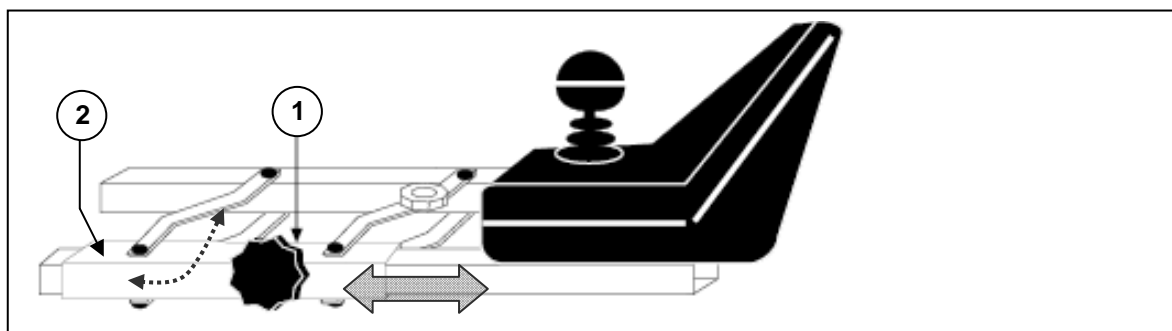
⚠ ATTENTION : Risque de coincement - Ne placez pas vos doigts entre la commande et les autres parties lors du bon positionnement de la commande.

La position horizontale de la commande peut être adaptée. Pour ce faire :

1. Desserrez légèrement la vis ① juste sous le coussin d'accoudoir.
2. Déplacez la commande dans la position souhaitée ou enlevez la commande.
3. Fixez à nouveau la vis ① .

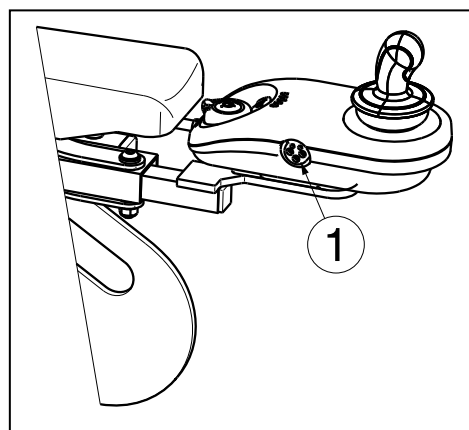
Lorsque la vis ① est enlevée vers le côté, la commande peut être tournée de ce côté.

NOTE : La vis ① peut, en fonction de la réalisation, également être amenée vers la partie inférieure de la conduite de commande ② .



2.13.4 Raccordement du chargeur de batterie/de l'équipement de programmation

⚠ AVERTISSEMENT : Risque de lésion - Assurez-vous que toutes les fiches (du chargeur de batterie et de l'équipement de programmation éventuel) sont enlevées avant de mettre le fauteuil roulant en mouvement.



La boîte de contact ① se trouve à l'avant de la commande pour le raccordement du chargeur de la batterie fourni en même temps que le fauteuil roulant. Le raccordement pour l'équipement de programmation peut seulement être raccordé et utilisé par du personnel agréé et spécialement formé (personnel de Vermeiren).

Vérifiez que le joystick de commande se trouve sur la position centrale neutre lorsque vous actionnez le bouton marche/arrêt, pour éviter tout blocage de l'électronique. Vous pouvez supprimer ce blocage en désactivant la commande et en la réactivant ensuite.

2.13.5 Votre premier voyage

⚠ AVERTISSEMENT : Gardez le contrôle de votre fauteuil électrique - Familiarisez-vous avec les caractéristiques de conduite du fauteuil électrique.

- Conduire

Après avoir pris place dans le fauteuil électrique et l'avoir réglé comme cela est décrit ci-dessus, vous prenez la manette en main et vous la poussez dans la direction souhaitée :

POUSSER VERS L'AVANT	= ROULER VERS L'AVANT
POUSSER VERS L'ARRIERE	= ROULER VERS L'ARRIERE

- Freins

Pour freiner, vous lâchez la manette, en sorte que celle-ci se retrouve en position neutre. Votre fauteuil électrique freine doucement et s'arrête. Exercez-vous à la conduite et au freinage afin de vous familiariser avec la conduite et afin d'apprendre à estimer de quelle manière votre fauteuil électrique réagit lorsque vous le conduisez et lorsque vous freinez.

- Conduire dans des angles et dans des virages

⚠ AVERTISSEMENT : Risque de basculement - Lorsque vous conduisez dans des virages, vous devez réduire considérablement votre vitesse.

⚠ AVERTISSEMENT : Risque de coincement - Gardez toujours une distance latérale suffisante par rapport aux angles et aux obstacles.

Déplacez la manette dans la direction dans laquelle vous désirez tourner. Les roues avant tournent et dirigent immédiatement le fauteuil électrique dans la nouvelle direction indiquée. Dans le cas de virages et d'angles, assurez-vous toujours qu'il y a suffisamment de place pour prendre le virage ou l'angle. prenez d'abord un virage le plus grand possible en direction du passage, afin de pouvoir prendre le passage étroit presque tout droit.

Évitez de prendre les virages en oblique. En « coupant » le virage, les roues arrière et le dossier du fauteuil roulant peuvent toucher un obstacle et menacer ainsi la stabilité du fauteuil électrique.

2.13.6 Rouler en marche arrière

⚠ AVERTISSEMENT : Gardez le contrôle de votre fauteuil électrique - Familiarisez-vous avec les caractéristiques de conduite du fauteuil électrique.

⚠ AVERTISSEMENT : Gardez votre vitesse sous contrôle - En cas de conduite vers l'arrière, utilisez toujours la vitesse la plus faible.

⚠ AVERTISSEMENT : Risque de collision - Lorsque vous conduisez vers l'arrière, regardez toujours derrière vous.

Vous devez bien faire attention lorsque vous conduisez en marche arrière. Lorsque vous conduisez en marche arrière, la vitesse est inférieure à celle en marche avant. Cependant, nous vous conseillons de régler votre régulateur de vitesse au minimum lorsque vous conduisez en marche arrière.

Lors de la marche arrière, le mouvement des manettes gauche et droite est inversé.

2.13.7 Côtes

⚠ AVERTISSEMENT : Gardez le contrôle de votre fauteuil électrique - Familiarisez-vous avec les caractéristiques de conduite du fauteuil électrique.

⚠ AVERTISSEMENT : Gardez votre fauteuil électrique sous contrôle - Ne mettez jamais votre fauteuil électrique au point mort dans des côtes.

⚠ AVERTISSEMENT : Gardez votre vitesse sous contrôle - Utilisez toujours la vitesse la plus faible possible lorsque vous conduisez dans des côtes.

⚠ AVERTISSEMENT : Risque de basculement - Ne dépassez pas l'angle d'inclinaison maximum de la stabilité statique vers le haut (voir le paragraphe « Spécifications techniques »).

⚠ AVERTISSEMENT : Dans des côtes, ne faites pas marche arrière.

Conduisez toujours tout droit sur une côte et évitez que les roues ne se détachent du sol (monter sur des rampes, des montées, etc.) parce que le fauteuil électrique peut basculer.

Lorsque vous vous arrêtez dans une côte parce que vous lâchez la manette, votre fauteuil électrique est protégé contre les descentes imprévues. Lorsque la manette est en position neutre, le frein moteur est activé.

Pour continuer à rouler sur une côte, vous appuyez la manette le plus loin possible vers l'avant, afin qu'il y ait suffisamment d'énergie pour démarrer. Votre fauteuil électrique va monter doucement la côte.

Lorsque la vitesse n'est pas suffisamment élevée pour monter la côte, vous tournez le régulateur de vitesse plus haut et vous essayez à nouveau.

2.13.8 Descentes

- ⚠ **AVERTISSEMENT** : Gardez le contrôle de votre fauteuil électrique - Familiarisez-vous avec les caractéristiques de conduite du fauteuil électrique.
- ⚠ **AVERTISSEMENT** : Gardez votre fauteuil électrique sous contrôle - Ne mettez jamais votre fauteuil électrique au point mort dans des descentes.
- ⚠ **AVERTISSEMENT** : Gardez votre vitesse sous contrôle - Utilisez toujours la vitesse la plus faible possible lorsque vous conduisez dans des descentes.
- ⚠ **AVERTISSEMENT** : Risque de basculement - Evitez les virages raides.
- ⚠ **AVERTISSEMENT** : Risque de basculement - Ne dépassez pas l'angle d'inclinaison maximum de la stabilité statique vers le bas (voir le paragraphe « Spécifications techniques »).

Prenez une descente toujours tout droit. Autrement, les roues peuvent se détacher du sol (risque de basculement).

Étant donné le poids propre du fauteuil électrique, la vitesse est plus importante dans le cas de descentes. Mettez le régulateur de vitesse sur une vitesse inférieure.

Évitez les virages raides dans des descentes. Étant donné le poids propre du fauteuil électrique, celui-ci peut basculer latéralement et tomber.

2.14 Rouler avec le fauteuil électrique sur des escaliers

- ⚠ **AVERTISSEMENT** : Risque de blessures – Restez assis sans bouger dans votre fauteuil roulant et évitez les mouvements saccadés. Si vous ne pouvez pas rester calmement assis dans le fauteuil en raison de votre maladie ou de votre handicap (par exemple : spasmes légers, etc.), au moins deux personnes supplémentaires sont nécessaires qui maintiennent le fauteuil roulant sur le côté au niveau des parties fixes du cadre pendant le transport.
- ⚠ **AVERTISSEMENT** : Risque de blessures - Équipez-vous de systèmes de ceintures de sécurité appropriés lors du transport (contactez votre revendeur pour obtenir de plus amples informations).
- ⚠ **AVERTISSEMENT** : Risque de blessures – Assurez-vous de garder vos bras et vos jambes à l'intérieur du fauteuil roulant lors du transport.

Si vous voulez monter ou descendre des escaliers avec votre fauteuil roulant, faites-le à l'aide de plaques ou de systèmes d'ascenseur pour le fauteuil roulant.

2.15 Conduire le fauteuil électrique sur des rampes

- ⚠ **AVERTISSEMENT** : Risque de blessures – Ne dépassez pas la charge maximale ou les rampes.
- ⚠ **AVERTISSEMENT** : Risque de blessures - Choisissez les rampes appropriées afin de ne pas provoquer des blessures ou des dommages.
- ⚠ **AVERTISSEMENT** : Risque de blessures - Assurez-vous que la hauteur des roues est suffisante pour franchir la hauteur libre des rampes. Le cadre du fauteuil électrique ne peut pas venir contre les plaques de montée.
- ⚠ **AVERTISSEMENT** : Risque de blessures - Utilisez une ceinture de sécurité pour vous attacher dans le fauteuil roulant.

⚠ AVERTISSEMENT : Risque de basculement - Utilisez les fonctions de réglage (siège, dossier, repose-pieds,) afin que le fauteuil roulant aie la meilleure stabilité.

Lorsque vous désirez utiliser des plaques de montée pour passer des obstacles, vous devez tenir compte de ce qui suit :

1. Demandez la charge maximale des plaques de montée au fabricant.
2. Passez sur les plaques de montée avec la vitesse la plus faible possible.
3. Voir les instructions dans le chapitre « Votre premier voyage ».

Au niveau de la réalisation en option des fonctions de réglage, vous devez veiller aux choses vivantes (parce que cela a une influence sur la stabilité de votre fauteuil électrique) :

1. L'assise est placée dans la position la plus basse et la plus horizontale.
2. Le dossier est mis le plus droit possible.
3. Les supports pour les jambes sont réglés de manière à ce qu'il n'y ait pas le moindre choc lorsqu'on passe des obstacles.

Lorsque vous êtes poussé par un accompagnateur, vous devez tenir compte du fait que le fauteuil roulant peut plus facilement rouler vers l'arrière étant donné le poids élevé du fauteuil roulant.

2.16 Pousser le fauteuil roulant

⚠ AVERTISSEMENT : Gardez le contrôle de votre fauteuil électrique - Ne mettez jamais votre fauteuil électrique au point mort lorsque vous êtes en train de conduire.

⚠ AVERTISSEMENT : Gardez votre fauteuil électrique sous contrôle - Ne mettez jamais votre fauteuil électrique au point mort dans des côtes. Le fauteuil électrique peut alors rouler de manière imprévue

Le fauteuil roulant est pourvu d'un système de point mort qui est uniquement accessible et qui peut seulement être utilisé par l'accompagnateur.

2.16.1 Moteurs 150W - 6km/h

Mettez le fauteuil au point mort avec les leviers ① de réglage sur les deux moteurs. Ces leviers se trouvent sur la partie arrière du fauteuil électrique.

Suivez les instructions ci-dessous pour coupler et désaccoupler les moteurs :



CONDUIRE

Tirez sur les leviers de réglage ① des deux moteurs en position de conduite. Desserrez les freins de stationnement. Désactivez et activez à nouveau la commande. La conduite électronique est maintenant possible.

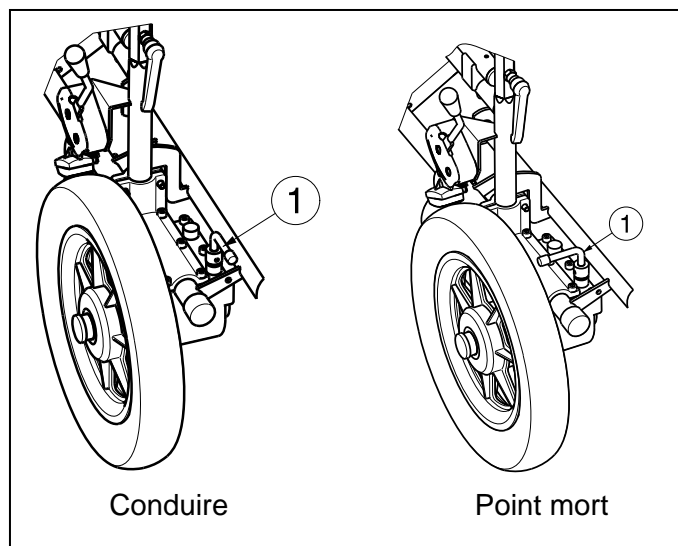


POINT MORT

Poussez les leviers de réglage ① des deux moteurs dans la position du point mort, le point mort du fauteuil roulant est activé. Maintenant, le fauteuil roulant peut être poussé sans actionnement électrique.



Au point mort, le fauteuil roulant n'est plus freiné. N'activez jamais le point mort dans des côtes.



⚠ Si le point mort est activé, le système de freinage électromagnétique est désactivé et le fauteuil roulant n'est plus protégé contre le roulement. Assurez-vous de ne pas stationner le fauteuil roulant sur une côte ou sur un sol irrégulier, car il pourrait alors rouler de manière imprévue..

⚠ Avec le clignotement du symbole de la clé, l'électronique indique que la conduite électronique n'est pas possible.

2.17 Transport en voiture

- ⚠ **DANGER** : Risque de lésion - Le fauteuil ne convient pas pour être utilisé comme un siège dans un véhicule motorisé.
- ⚠ **AVERTISSEMENT** : Risque de lésion - Aucune personne ou aucun objet ne peut se trouver en dessous du fauteuil pendant le transport.
- ⚠ **AVERTISSEMENT** : Risque de lésion - Assurez-vous que le fauteuil roulant est suffisamment fixé afin d'éviter des blessures aux passagers pendant une collision ou pendant un freinage brusque. Assurez-vous de saisir le fauteuil électrique uniquement au niveau des parties fixes.
- ⚠ **AVERTISSEMENT** : Risque de blessure. N'utilisez JAMAIS la même ceinture pour le fauteuil roulant et le passager.

N'utilisez jamais le fauteuil roulant comme un siège dans une voiture ou dans un autre véhicule. Le fauteuil roulant est marqué avec le symbole suivant :



Pour transporter le fauteuil roulant dans la voiture, respectez les étapes suivantes : La meilleure manière pour transporter le fauteuil électrique dans la voiture est d'utiliser des plaques de montée.

Si vous n'avez pas d'expérience pour conduire le fauteuil roulant sur des plaques de montée, vous pouvez également placer le fauteuil roulant au point mort et le pousser dans la voiture par l'intermédiaire des plaques de montée.

Si le fauteuil roulant n'est pas adapté à la voiture, il est également possible de le transporter de la manière suivante :

1. Enlevez toutes les parties mobiles avant de le transporter (repose-pieds, accoudoirs, boîtiers des batteries, etc.).
2. Stockez ces parties mobiles en toute sécurité.
3. Placez le fauteuil électrique dans la voiture en saisissant les éléments fixes du cadre. Faites-le à l'aide de 2 personnes.
4. Fixez bien les éléments fixes du cadre au véhicule.
5. Placez le fauteuil roulant en mode de conduite (activez les freins de stationnement) et vérifiez que la commande est désactivée.

2.18 Transport dans un avion

Le fauteuil roulant électrique peut être transporté dans un avion. Le fauteuil roulant électrique peut être enregistré au comptoir des enregistrements. Indiquez au moment opportun le fauteuil roulant à la société aéronautique concernée avant le départ. N'utilisez pas le fauteuil roulant comme un siège dans un avion, le fauteuil roulant doit être rangé dans la zone des bagages.

Tenez compte des exigences suivantes pour transporter le fauteuil roulant dans un avion :

1. Type et propriétés du fauteuil roulant (manette, batteries)

Le fauteuil roulant est équipé de batteries sèches ou au gel. La plupart du temps, ces batteries ne doit pas être enlevées du fauteuil roulant. Désaccouplez et isolez uniquement les connexions électriques de la batterie.

2. Dimensions et poids du fauteuil roulant

Le poids et les dimensions autorisées du fauteuil roulant dépendent du type d'avion.

3. Dommages causés au fauteuil roulant

Il est possible que le fauteuil roulant soit endommagé parce qu'il est stocké dans un espace étroit avec les valises et d'autres marchandises.

Afin d'éviter des dégâts au niveau du fauteuil roulant :

- Mettez les adaptations électriques en position standard (abaissez la colonne de l'ascenseur le plus possible, inclinaison horizontale de l'assise, inclinaison du dossier et la position la plus en avant possible).
- Pliez les repose-pieds vers le haut, placez les accoudoirs dans la position la plus dirigée vers l'intérieur.
- Contrôlez que les leviers de réglage sont positionnés vers l'intérieur.
- Recouvrez la commande avec un matériau doux qui peut résister aux chocs.

Avant de voyager, il vaut mieux prendre contact avec la société aéronautique concernée en rapport avec les exigences pour pouvoir transporter votre fauteuil roulant dans un avion.

2.19 Batteries

D'une manière standard, le fauteuil roulant électrique est équipé de 2 batteries AGM fermées avec une puissance de 12 V/38 Ah ou 50 Ah. Les batteries qui sont utilisées pour votre fauteuil roulant sont des batteries de fonctionnement, qui atteignent leur pleine capacité après seulement quelques cycles de chargement et d'utilisation.

Lorsque, suite à une longue utilisation, les batteries ne fournissent plus leur pleine capacité ou lorsque les batteries sont endommagées, vous devez faire remplacer les batteries par un fabricant.

Nous ne sommes pas responsables des dégâts causés par l'utilisation des batteries de tierces parties.

Lorsque les batteries sont ouvertes, la responsabilité du fabricant et la garantie sont échues. N'exposez pas les batteries à des températures inférieures à +5°C et supérieures à +50°C (exposition optimale : +20°C).

Utilisez uniquement les batteries originelles. Nous ne sommes pas responsables des dégâts causés par l'utilisation d'autres batteries.

2.20 Chargeur de la batterie

Utilisez uniquement le chargeur de batterie fourni en même temps pour le chargement des batteries.

Pour le mode d'emploi du chargeur de la batterie, vous pouvez utiliser le manuel qui est fourni avec votre chargeur de batterie.

2.21 Chargement des batteries

⚠ ATTENTION : Risque de lésion - Utilisez uniquement le chargeur de batterie fourni en même temps pour le chargement des batteries.

Étant donné que le chargeur fait correspondre la courbe de chargement à l'état de chargement des batteries, vous pouvez charger votre fauteuil roulant après chaque utilisation. De ce fait, on évite le plus possible le chargement agressif des batteries et « l'effet mémoire ».

Chargez le fauteuil roulant au plus tard lorsque l'état de chargement sur la commande se trouve dans le champ rouge. Si vous continuez quand même à rouler, le clignotement continu du dernier LED rouge indique que la batterie a une capacité insuffisante. Si vous ne tenez pas non plus compte de ce signal d'avertissement, après quelque temps, un code de problème apparaît sur l'électronique pour indiquer que les batteries ont une puissance insuffisante pour pouvoir rouler. C'est la raison pour laquelle vous devez charger vos batteries avec le chargeur fourni en même temps avant de recevoir ces avertissements. Évitez dans tous les cas que les batteries ne se déchargent trop.

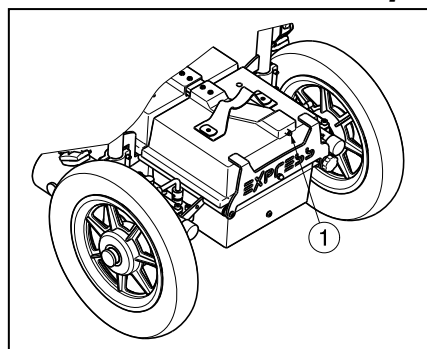
Pour l'utilisation du chargeur de batterie, merci de vous référer au mode d'emploi du chargeur de batteries.

Si vous n'allez pas utiliser votre fauteuil électrique pendant une longue période, vous devez quand même le raccorder régulièrement au chargeur de batterie pour charger les batteries et pour garder le fauteuil roulant prêt à l'emploi.

Le fabricant n'est pas responsable des dégâts en conséquence d'un mauvais chargement.

Pour de plus amples informations, vous pouvez consulter le mode d'emploi du chargeur.

2.22 Fusibles thermique



Afin de protéger le moteur contre les surcharges, à l'arrière de la face supérieure du fauteuil roulant du premier boîtier de la batterie, il existe un fusible thermique ① qui coupe automatiquement le moteur pour éviter une surchauffe et donc une usure rapide ou les pannes. Le fusible thermique peut être activée lorsqu'on emprunte des côtes qui dépassent les valeurs maximales mentionnées. Dans le cas d'une charge nominale supérieure à la valeur maximale, le fusible peut aussi se déclencher.

Pour recommencer à utiliser le fauteuil électrique, résolvez la surcharge en question et attendez que le moteur ait refroidi. Ensuite, appuyez enfoncé prudemment la sécurité. Vous pouvez maintenant réutiliser le système.



3 Installation et réglage

Les instructions de ce chapitre sont seulement destinées au distributeur.

L'Express VB est un fauteuil électrique avec entraînement sur la roue arrière.

- ⚠ **AVERTISSEMENT** : Risque de réglages dangereux - N'utilisez que les réglages décrits dans ce manuel.
- ⚠ **AVERTISSEMENT** : Risque de basculement – Une variation des réglages autorisés peut avoir une incidence sur la stabilité de votre fauteuil roulant (inclinaison en arrière ou latérale).

3.1 Outils

Pour construire votre Express Vermeiren, vous avez besoin des outils suivants :

- Jeu de clés de 10
- Jeu de clés Allen de 4 à 5

3.2 Mode de livraison

Le fauteuil électrique est livré avec :

- Un cadre avec des accoudoirs, une commande, une roue arrière et des roues avant, une assise et un dossier
- 1 paire de repose-pieds
- 2 batteries d'actionnement séparées + boîtiers des batteries, 2 x moteurs d'actionnement
- Chargeur de batterie + mode d'emploi de chargeur de batterie
- Électronique
- Outils
- Commande + Manuel de commande
- Accessoires

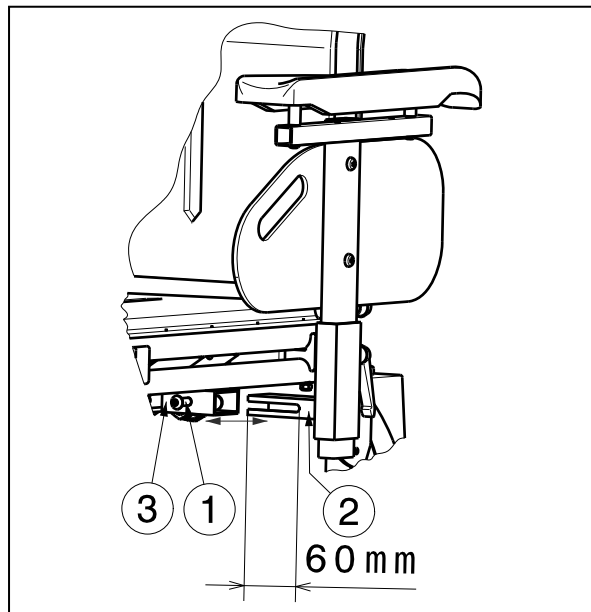
Avant l'utilisation, contrôlez si tout a été livré et s'il n'y a pas de détérioration au niveau des produits (par exemple : causées par le transport...). Veuillez noter que la configuration de base pour l'Europe peut varier d'un pays à l'autre. Contactez votre revendeur.

3.3 Réglages possibles

- ⚠ **AVERTISSEMENT** : Risque de lésions – Désactivez le fauteuil électrique avant d'apporter des adaptations.
- ⚠ **AVERTISSEMENT** : Risque de lésions – N'apportez pas d'adaptations pendant que vous roulez.
- ⚠ **AVERTISSEMENT** : Risque de lésions – Les adaptations peuvent seulement être réalisées par le commerçant.
- ⚠ **AVERTISSEMENT** : Risque de lésions – Assurez-vous que toutes les vis, tous les leviers sont bien fixés à la main avant d'utiliser le fauteuil électrique.
- ⚠ **ATTENTION** : Risque de coincement - Gardez les doigts, les boucles et les vêtements à distance des points de fixation ou de toute pièce mobile.

3.3.1 Réglage des accoudoirs

La largeur des accoudoirs peut être réglée en position horizontale.



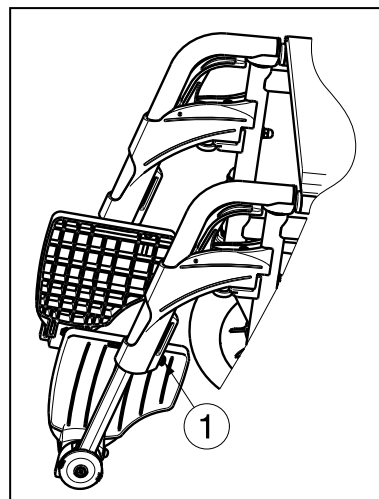
1. Desserrez les vis à six pans creux ① juste sous le cadre d'assise.
2. Déplacez l'accoudoir horizontalement jusqu'à obtenir la position correcte, en glissant les tubes carrés ② et ③ les uns sur les autres. (Portée 60 mm : progressivement)
3. Fixez à nouveau bien les vis ① .
4. Répétez les instructions ci-dessus pour l'autre accoudoir.

Assurez-vous que les accoudoirs sont positionnés de manière identique des deux côtés.

3.3.2 Réglage des repose-pieds

* Réglage de la longueur :

⚠ ATTENTION : risque de dommage, évitez tout contact entre les repose-pieds et le sol. Garez une distance minimale de 30 mm avec le sol.



Réglez la longueur des repose-pieds de la manière suivante :

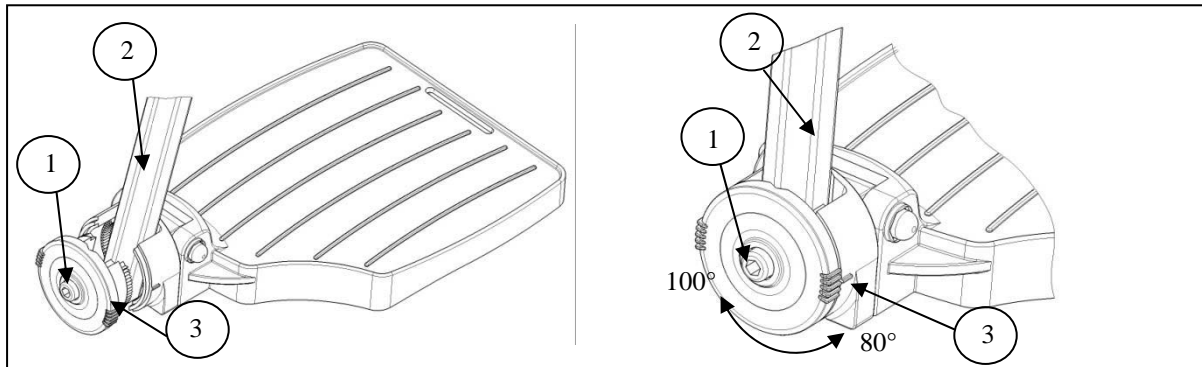
1. Retirez la vis ① (à l'arrière des repose-pieds).
2. Réglez la longueur du repose-pied pour une assise confortable (Portée: 120 mm, progressivement).
3. Serrez à nouveau bien la vis ①.

* Réglages des palettes:

Les palettes peuvent être utilisées sur 2 positions. En standard, elles sont réglées avec la palette en position arrière.

Les palettes peuvent être déplacées vers l'avant en intervertissant les palettes de droite et de gauche.

* Réglages des palettes:



Pour régler l'angle des palettes, vous devez procéder de la manière suivante :

1. Desserrez le boulon ①.
2. Réglez le tube ② à l'angle souhaité. L'indication d'angle (80°, 85°, 90°, 95°, 100°) correspond aux petits traits ③.
3. Resserrez le boulon ①.

3.4 Raccordement des batteries

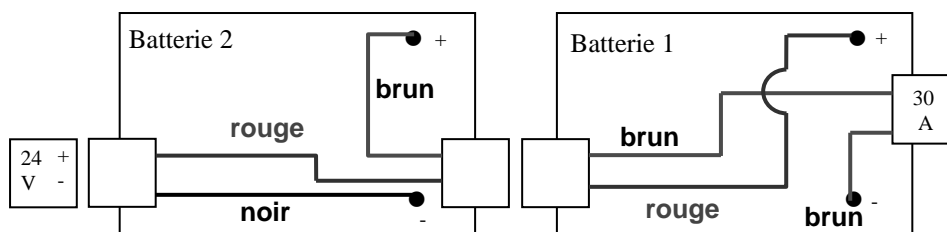
⚠ ATTENTION : Risque de lésions - Contrôlez qu'aucun outil ou élément conducteur ne se trouve entre les poles des batteries afin d'éviter des courants électriques non prévus.

⚠ ATTENTION : Risque de lésions, détériorations - Ne travaillez pas dans des environnements humides avec des batteries et de l'électronique.

La meilleure manière pour déconnecter des batteries :

1. Déconnectez la batterie 1.
2. Déconnectez la batterie 2.

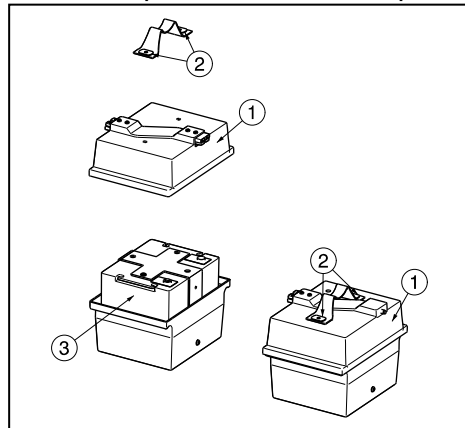
Pour raccorder les batteries, vous pouvez suivre les instructions ci-dessus en sens inverse.



3.5 Remplacement des batteries

⚠ ATTENTION : Risque de brûlures - N'entrez pas en contact avec les acides des batteries. Assurez une bonne ventilation du support de batterie.

Faites remplacer les batteries par un personnel spécialement formé.



Les batteries peuvent être remplacées avec les instructions suivantes :

1. Enlevez les deux boîtiers des batteries du fauteuil roulant.
2. Retirez le couvercle de la batterie ① en desserrant les boulons ② sur la poignée ③.
3. Débranchez tous les fils des batteries.
4. Soulevez les batteries ③ du boîtier de la batterie.
5. Placez les nouvelles batteries dans le boîtier des batteries.
6. Raccordez tous les fils des batteries.
7. Remplacez le couvercle de la batterie ① à l'aide des boulons ②.

3.6 Changer les pneus

⚠ ATTENTION : Pour le démontage des jantes, laissez toujours d'abord sortir l'air du pneu !

⚠ ATTENTION : Risque de dégâts - Dans le cas d'une mauvaise utilisation, la jante peut être endommagée.

Un montage correct peut uniquement être garanti dans le magasin spécialisé. En cas de travaux qui ne sont pas réalisés par le commerce spécialisé, la garantie est échu.

Pour le pompage, utilisez uniquement des pompes appropriées avec une échelle de lecture en bars. Nous n'accordons pas de garantie sur les pompes et les roues qui ne sont pas fournies par le fabricant.

⚠ AVERTISSEMENT : Risque de lésion – Contrôlez que la pression est correcte.

⚠ ATTENTION : Risque de lésions – Assurez-vous que lors du montage, il n'y ait pas d'objets ou de membres entre le pneu et le bord de la jante.

- **Roues motrices (roues avant)**

Enlevez le pneu de la jante :

1. Laissez sortir l'air du pneu intérieur.
2. Glissez un démonte-pneu entre le pneu extérieur et la jante.
3. Poussez lentement le démonte-pneus et prudemment vers le bas. Ce faisant, le pneu extérieur est tiré du bord de la jante.
4. Déplacez le démonte-pneus le long du bord de la jante, le pneu extérieur saute de la jante.
5. Enlevez maintenant prudemment le pneu extérieur et le pneu intérieur de la jante.

Avant de monter un nouveau pneu, vous devez tenir compte de ce qui suit :

Contrôlez le lit de la jante et l'intérieur du pneu pour voir s'il y a des objets étrangers et nettoyez-les si nécessaires. Contrôlez l'état du lit de la jante, surtout à proximité de l'ouverture de ventilation. Utilisez uniquement des pièces de rechange originelles. La garantie ne s'applique pas aux dommages qui sont causés par des pièces de rechange qui ne sont pas originelles. Contactez votre revendeur.

Montage du pneu de la jante :



Placez le pneu intérieur sans air autour de la jante. Veillez à ce que la valve dépasse de l'ouverture de ventilation de la jante.



Prenez le pneu extérieur et appuyez-le sur le bord de la jante en commençant derrière la valve. Pompez légèrement le pneu intérieur jusqu'à ce qu'il adopte une forme ronde et mettez-le dans le pneu.



Lorsque le pneu intérieur se trouve tout autour sans plis dans le pneu extérieur (s'il y a des plis : laissez un peu d'air), vous montez alors la partie supérieure du pneu en commençant par la valve prudemment en appuyant des deux mains sur la valve.

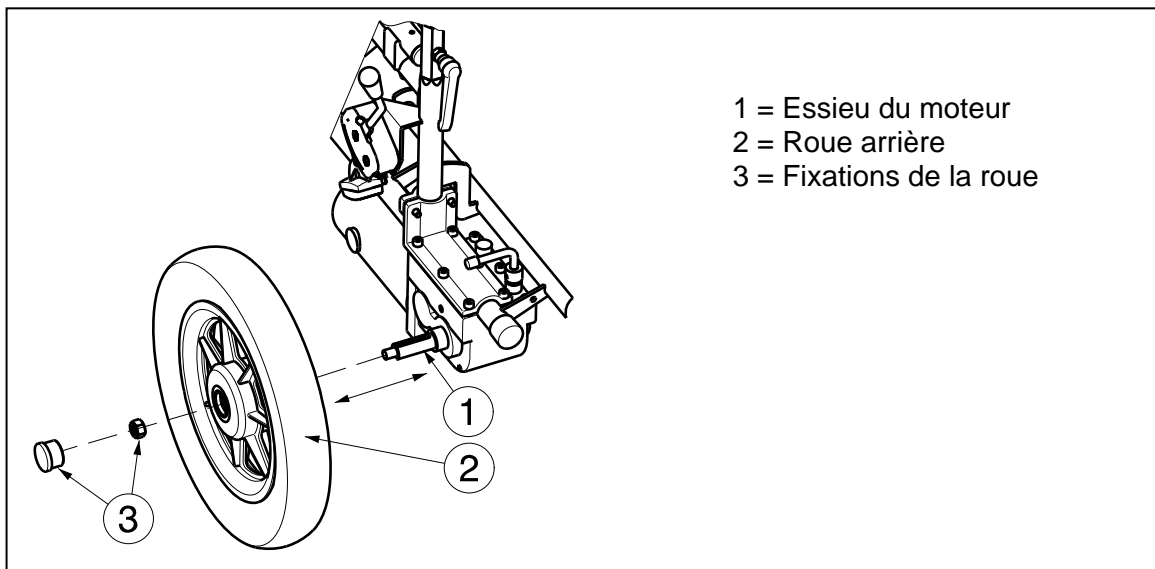
Contrôlez autour et des deux côtés si le pneu intérieur n'est pas coincé entre le bourrelet et la jante. Glissez à nouveau légèrement la valve pour la remettre en place et tirez dessus afin que le pneu soit bien positionné à proximité de la valve.

Pour pomper correctement le pneu, vous pompez d'abord de l'air jusqu'à ce que vous puissiez encore bien appuyer sur le pneu avec le pouce. Lorsque la ligne de contrôle indique des deux côtés du pneu la même distance par rapport au bord de la jante, le pneu est correctement centré. Lorsque ce n'est pas le cas, vous devez laisser à nouveau de l'air et aligner de nouveau le pneu. Pompez maintenant le pneu jusqu'à la pression d'utilisation maximale (attention à la pression de remplissage !) et remettez le capuchon sur la valve.

Faites toujours attention à la pression de remplissage correcte lorsque vous pompez les pneus. Vous pouvez lire cette valeur sur le pneu.

- **Roues motrices (roues arrières)**

⚠ AVERTISSEMENT : Risque de lésions – Avant d'utiliser le fauteuil électrique, vous devez contrôler si toutes les vis des roues sont bien fixées.





DEMONTAGE

1. Détachez les fixations de la roue ③ et enlevez-les.
2. Enlevez entièrement la roue arrière ② de l'essieu du moteur ①.

ASSEMBLAGE

1. Nettoyez les filets de vis et le moteur pour enlever toutes les saletés et la graisse.
2. Montez la roue arrière sur l'essieu du moteur, afin que l'encoche sur la roue s'adapte sur l'essieu du moteur.
3. Fixez à nouveau bien les roues à l'aide de l'écrou (fixations de la roue ③).

4 Maintenance

Pour les instructions de maintenance / nettoyage, consultez le manuel de maintenance des fauteuils roulants électriques. Reportez-vous à cette notice séparée ou à votre revendeur spécialisé.

INHOUDSOPGAVE

1	Productomschrijving.....	3
1.1	Toepassingsgebied	3
1.2	Technische specificaties	4
1.3	Onderdelen.....	6
1.4	Accessoires	6
1.5	Gebruikte symbolen.....	6
1.6	Veiligheidsinstructies.....	7
2	Gebruik	8
2.1	Toelichting op de elektromagnetische compatibiliteit (EMC).....	8
2.2	Dragen van de elektrische rolstoel.....	9
2.3	Monteren en demonteren van de elektrische rolstoel	10
2.4	Opvouwen of openvouwen van de rolstoel	10
2.5	Plaatsen of verwijderen van de rug.....	11
2.6	Monteren of verwijderen van de batterij behuizing.....	11
2.7	Plaatsen of verwijderen van de armsteunen	12
2.8	Plaatsen of verwijderen van de voetsteunen.....	13
2.9	Bedienen van de parkeerremmen.	13
2.10	Transfer in en uit de elektrische rolstoel.....	14
2.11	Correcte positie in de elektrische rolstoel.....	14
2.12	Rijden met de elektrische rolstoel	15
2.13	Bedienen van de elektromagnetische remmen.	15
2.14	Rijden met de elektrische rolstoel op trappen	19
2.15	De elektrische rolstoel rijden op oprijplaten.....	19
2.16	Duwen van de rolstoel	20
2.17	Transport in de auto	21
2.18	Transport in een vliegtuig.....	21
2.19	Batterijen	22
2.20	Batterijlader	22
2.21	Laden van de batterijen.....	22
2.22	Thermische zekering.....	23
3	Montage en afstelling.....	23
3.1	Gereedschap.....	23
3.2	Leveringsomvang	23
3.3	Mogelijke verstellingen	24
3.4	Aansluiting batterijen	25
3.5	Vervangen van de batterijen	26
3.6	Banden wisselen	26
4	Onderhoud.....	28
5	Clusteromschrijvingen	28

Voorwoord

We willen U danken voor het vertrouwen dat U in onze producten stelt.

De verwachte levensduur van Uw elektrische rolstoel hangt in sterke mate af van de zorg waarmee U de rolstoel behandelt.

Deze handleiding maakt U vertrouwd met de bediening van Uw elektrische rolstoel.

Het naleven van de gebruiks- en onderhoudsinstructies vormen een essentieel onderdeel van de garantiebepalingen.

Deze handleiding houdt rekening met de recentste productontwikkelingen. De Firma Vermeiren behoudt zich echter het recht voor om wijzigingen door te voeren zonder verplicht te zijn voordien geleverde modellen aan te passen of te vervangen.

Als U nog vragen hebt, neemt U best contact op met Uw vakhandelaar.

1 Productomschrijving

1.1 Toepassingsgebied

De elektrische rolstoel Express VB is uitgerust met twee motoren van 150W.

De elektrische rolstoel is bedoeld om op een comfortabele manier personen die moeilijk of niet kunnen lopen te transporteren. Deze elektrische rolstoel is ontworpen voor het transport van 1 persoon.

De elektrische rolstoel is ontworpen om enkel personen en geen voorwerpen te vervoeren.

De elektrische rolstoel mag ook niet worden gebruikt door personen die door duidelijke lichamelijke of mentale beperkingen niet in staat zijn de elektrische rolstoel veilig te gebruiken in het verkeer.

De verschillende soorten onderdelen en accessoires, en de modulaire constructie, zorgen ervoor dat de rolstoel ten volle kan worden gebruikt door mensen die invalide zijn omwille van:

- Verlamming
- Verlies van ledematen (beenamputatie)
- Defect of aandoeningen van ledematen
- Contracturen of gewrichtsaandoeningen
- Hart- en bloedsomloopinsufficiëntie
- Evenwichtsstoornissen
- Cachexie (afname van het spierweefsel)

De elektronische rolstoel mag niet gebruikt worden voor personen die in een toestand zijn dat ze uit de rolstoel kunnen vallen, of gebruik voor deze patiënten de veiligheidsgordels.

De elektrische rolstoel is geclassificeerd als een klasse A rolstoel.

De elektrische rolstoel is geschikt om binnenshuis en beperkt buitenshuis door de gebruiker te gebruiken.

De gebruiker kan de rolstoel zelf voortbewegen of laten duwen door een begeleider met behulp van de handgrepen.

Hou bij de individuele verzorging rekening met:

- grootte en lichaamsgewicht (max. 90 kg)
- fysieke en psychologische gesteldheid
- woonomgeving
- milieu

Uw elektrische rolstoel moet gebruikt worden op vlakke ondergronden waarbij alle vier de wielen de grond raken en waarbij het bodem contact voldoende is voor een gelijkmatige aandrijving van alle wielen.

Extra oefening is nodig voor het rijden op ongelijkmatige ondergrond (kasseien, etc.), hellingen en bochten (zijdelings omvallen), evenals het nemen van hindernissen (bvb. Trottoirranden). Vooral gevaarlijk is een ondergrond als ijs, gras, steenslag, bladeren enz.

De elektrische rolstoel dient niet als klimtoestel of om hete of zware voorwerpen te transporteren.

Wanneer U de elektrische rolstoel op het trottoir en op voetpaden wilt gebruiken, dient U de geldende wettelijke bepalingen na te leven.

De elektrische rolstoel kan gebruikt worden op wandelpaden, wegen binnen de bebouwde kom. Het rijden op snelwegen en autosnelwegen is in ieder geval verboden.

Gebruik enkel door Vermeiren goedgekeurde accessoires.

Vermeiren is niet aansprakelijk voor schade door gebrekkig of onvoldoende onderhoud of als gevolg van het niet naleven van instructies van deze handleiding.

Mensen met een visuele beperking kunnen contact opnemen met de vakhandelaar voor de gebruikersinstructies.

1.2 Technische specificaties

Onderstaande technische gegevens zijn geldig voor de elektrische rolstoel in standaard instellingen en bij optimale omgevingscondities. Wanneer er andere accessoires worden gebruikt, worden de opgegeven waarden gewijzigd. Bij veranderingen van de buitentemperatuur, luchtvochtigheid, hellingen, dalingen, ondergrond en batterij toestand kunnen de prestatie parameters beperkt zijn.

Merk	Vermeiren				
Adres	Vermeirenplein 1/15, B-2920 Kalmthout				
Type	Elektrische rolstoel, Klasse A				
Model	Express VB				
Maximale massa gebruiker	90 kg				
Beschrijving	Afmetingen				
Effectieve zitbreedte	390 mm	420 mm	440 mm	460 mm	500 mm
Totale breedte (afhankelijk van de zitbreedte)	580 mm	610 mm	630 mm	650 mm	690 mm
Beschrijving	Minimale afmetingen		Maximale afmetingen		
Max. snelheid	6 km/u				
Actieradius*	Ong. 18 km (Batterij 38 Ah) Ong. 25 km (Batterij 50 Ah)				
Totale lengte inclusief voetsteun	950 mm				
Totale hoogte (rug inbegrepen)	960 mm				
Lengte dichtgevouwen / gedemonteerd (zonder voetsteunen, batterij behuizing)	790 mm				
Breedte dichtgevouwen / gedemonteerd (rolstoel opgevouwen)	400 mm				
Hoogte dichtgevouwen / gedemonteerd (Rug dichtgevouwen, zonder armsteunen)	710 mm (voor zitbreedte 460 mm, afhankelijk van zitbreedte)				
Totaal gewicht	Van 67 kg (Voor zitbreedte 390 mm; afhankelijk van zitbreedte en eventuele accessoires)				
Gewicht zwaarste onderdeel (dat kan worden gedemonteerd of verwijderd)	Frame, armsteun + joystick, zitkussen, rugkussen: Van 29,25 kg				
Massa van onderdelen die kunnen worden gedemonteerd of verwijderd	Armsteun met joystick: 1,60 kg; Voetsteunen: 1,85 kg; Batterij behuizing: 15,90 kg/stuk (Batterijen: 13,5 kg/stuk); Rug: 1,80 kg				
Statische stabiliteit bergaf	7,5°				
Statische stabiliteit bergop	12°				
Statische stabiliteit zijwaarts	10°				
Maximale veilige helling	7°				
Maximum hoogte hindernis	15 mm				
Grondspeling	30 mm				



Merk	Vermeiren	
Adres	Vermeirenplein 1/15, B-2920 Kalmthout	
Type	Elektrische rolstoel, Klasse A	
Model	Express VB	
Maximale massa gebruiker	90 kg	
Beschrijving	Minimale afmetingen	Maximale afmetingen
Zithoek	5°	
Effectieve zitdiepte	430 mm	
Dikte van zitkussen	40 mm	
Zithoogte aan voorzijde (met zitkussen)	540 mm	
Rughoek	5°	
Rughoogte	430 mm	
Afstand tussen zit en voetsteun	400 mm	520 mm
Hoek tussen voetsteun en voetplaat	80 °	100 °
Hoek tussen zit en voetsteun	105°	
Hoek tussen zit en voetplaat	5°	25°
Afstand tussen armsteun en zit	225 mm	315 mm
Afstand voorzijde armsteun	400 mm	
Aandrijfmotoren	2 x 150W + Elektromagnetisch remsysteem	
Batterijen	2 x 12V --- AGM / 38 Ah of 50 Ah / 20 hr	
Batterijlader	Zie aparte handleiding van de batterijlader (Gebruik ENKEL de meegeleverde batterijlader met Uw elektrische rolstoel)	
Thermische zekering	30 amp	
Besturing	Zie aparte handleiding besturing	
Minimale draaicirkel	Ong. 1400 mm	
Breedte nodig om te keren	Niet van toepassing	
Diameter achterwielen (aantal)	12 1/2 x 2 1/4" lucht (2)	
Bandendruk, achterwielen **	Max. 2,5 bar	
Diameter voorwielen (aantal)	8 x 1 3/4 mm lucht (2)	
Bandendruk, voorwielen **	Max. 2,5 bar	
Geluidsdruk	< 65 dB (A)	
Opslag en gebruikstemperatuur	-20 °C tot +40 °C	
Werkings temperatuur van de elektronica	-10 °C tot +40°C	
Opslag en gebruiksluchtvochtigheid	30%	70%
<p>We behouden ons het recht voor om technische wijzigingen te introduceren. Meettolerantie ± 15 mm / 1,5 kg / °.</p> <p>* De theoretische actieradius zal worden verlaagd als de rolstoel vaak wordt gebruikt op hellingen, ruw terrein of stoepranden.</p> <p>**Omdat verschillende banden kunnen gebruikt worden, controleer de correcte bandendruk voor de band die U gebruikt. Raadpleeg Uw vakhandelaar voor andere diameters van de banden.</p>		

Tabel 1: Technische specificaties

De rolstoel voldoet aan de eisen gesteld in:

ISO 7176-8: Eisen en beproevingsmethoden voor statische, bots en vermoeiingsproeven.

ISO 7176-14: Rolstoelen – Deel 14: Vermogen- en besturingssystemen voor elektrische rolstoelen – Eisen en beproevingsmethoden

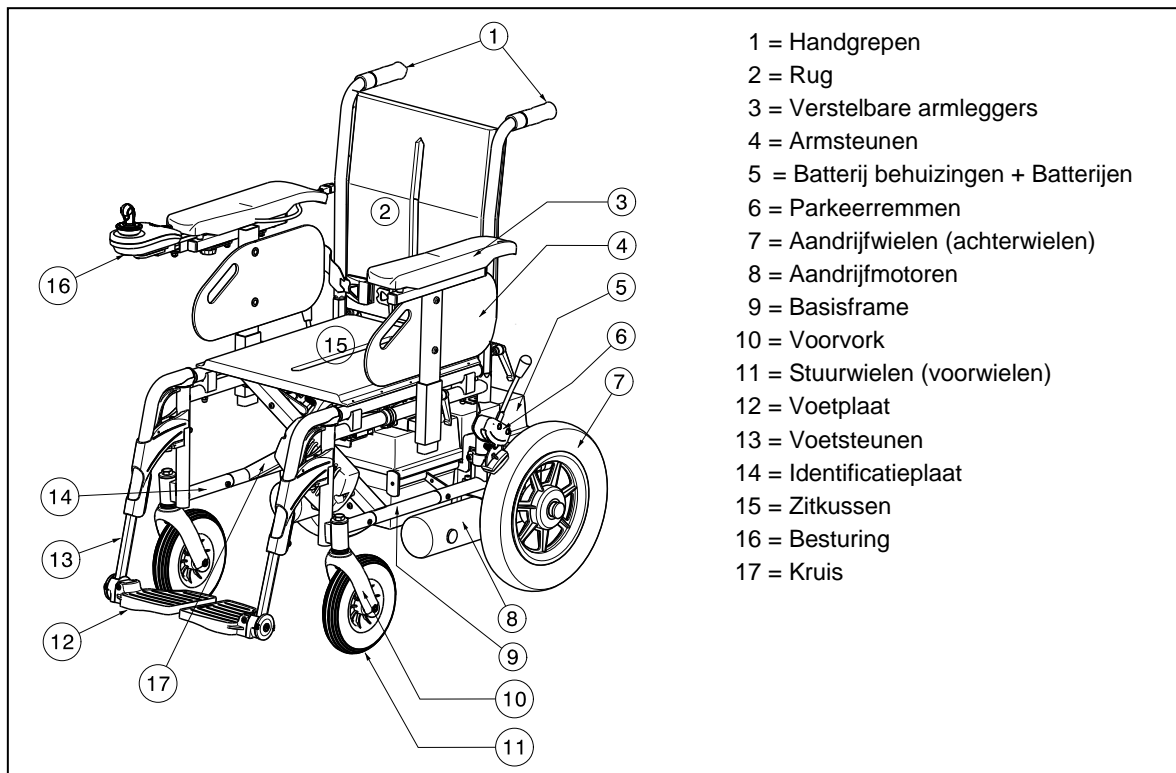
EN 1021-1: Meubelen - Beoordeling van de ontvlambaarheid van beklede meubelen -

Deel 1: Smeulende sigaret als ontstekingsbron

EN 1021-2: Meubelen - Beoordeling van de ontvlambaarheid van beklede meubelen -

Deel 2: Equivalent van de lucifervlam als ontstekingsbron

1.3 Onderdelen



1.4 Accessoires

De volgende accessoires zijn leverbaar voor de elektrische rolstoel Express VB:

- Rug inclinatie (SE52)
- Voorgevormde rug en zit (L24 / L25)

1.5 Gebruikte symbolen



Maximum gewicht



Gebruik voor binnen en beperkt buiten



Gebruik voor binnen (enkel voor batterijlader)










Gescheiden inzameling en recycleren van elektrische en elektronische apparaten (Enkel voor batterijlader)



















Beschermklasse II



Maximale veilige helling

-  CE conformiteit
-  Maximale snelheid
km/h
-  Positie: Parkeerrem geactiveerd (elektrisch rijden mogelijk)
-  Positie: Parkeerrem uitgeschakeld (vrijloop en duwen mogelijk, elektrisch rijden niet mogelijk)
-  Opletten bij vrijloop op hellingen en inclinaties
-  Niet bedoeld om te gebruiken als een zitplaats in een voertuig
-  Type aanduiding

1.6 Veiligheidsinstructies

-  Let op dat er geen voorwerpen en/of lichaamsdelen tussen de velgen van de aandrijfwielen terecht komen. Dit kan immers letsel en/of schade aan de rolstoel veroorzaken.
-  Volg de gebruikersinstructies van Uw rolstoel. Bijvoorbeeld, vermijd om zonder remmen tegen een hindernis (trede, rand of de stoeprand) of van een richel te rijden.
-  Gebruik de voetsteunen nooit om in en uit de rolstoel te stappen. De voetplaat moet eerst naar boven weg geklapt worden.
-  Onderzoek het effect van een veranderd zwaartepunt op het gedrag van de rolstoel (bijv. op hellingen, op zijdelingse hellingen of bij het overwinnen van hindernissen). Maak gebruik van de hulp van een begeleider.
-  Let op bij het nemen van voorwerpen (die zich voor, opzij of achter de rolstoel bevinden) dat U niet te ver uit de rolstoel leunt. Anders kan de rolstoel kantelen.
-  Bij het rijden door deuren, openingen e.d. moet aan de zijkant voldoende plaats zijn, anders bestaat er gevaar op letsel aan handen en armen en op beschadiging van de rolstoel.
-  Vermijd tegen een hindernis aan te botsen (tredes, stoepranden of deurkozijnen, enz.) of van een richel te rijden, door ongecontroleerd rollen. De fabrikant is niet aansprakelijk voor schade als gevolg van overbelasting of botsingen bij het gebruik dat niet in overeenstemming is met het doel van het product.
-  Bij het gebruik in openbare plaatsen dient U zich te houden aan de plaatselijke reglementen.
-  Onder invloed van geneesmiddelen of alcohol vermindert U rijvermogen.
-  Pas Uw rijstijl bij ritten buiten de woning aan, aan het weer en het verkeer.
-  U gebruikt de elektrische rolstoel beter niet als het regent.
-  Zet de elektrische rolstoel nooit in vrijloop op hellingen.
-  Rijd nooit achterwaarts op een helling.
-  Verminder Uw snelheid wanneer U een bocht neemt.
-  Zorg ervoor dat U in het donker goed zichtbaar bent. Draag lichte kleding of kleding met reflectoren en zorg ervoor dat de reflectoren van de rolstoel goed zichtbaar zijn en rij met de lichten aan.
-  Controleer of de verlichting en reflectoren van Uw rolstoel niet door vuil of andere voorwerpen zijn afgedekt.

- ⚠ Bij het transporteren van de rolstoel mag U deze nooit vastnemen aan beweegbare onderdelen (banden, armsteunen, voetsteunen, enz.).
- ⚠ Wanneer de elektrische rolstoel wordt getransporteerd, mogen geen personen worden vervoerd.
- ⚠ Het meenemen van extra personen is verboden.
- ⚠ Wanneer U de elektrische rolstoel buiten parkeert of bewaart, moet U een afdekkap gebruiken die Uw elektrische rolstoel beschermt tegen vocht.
- ⚠ Bij erg hoge luchtvochtigheid en koude kan het gebeuren dat de elektrische rolstoel minder goed presteert.
- ⚠ Gebruik de elektrische rolstoel nooit als een zit in een auto of ander voertuig.
- ⚠ Let erop dat de maximale belasting (90 kg) niet wordt overschreden.
- ⚠ Gebruik enkel door Vermeiren goedgekeurde accessoires.
- ⚠ Zet/schakel de elektrische rolstoel eerst uit met de "AAN/UIT" knop op de besturing voor U in- of uitstapt, voor U Uw elektrische rolstoel demonteert of wil transporteren.
- ⚠ Let erop dat de banden voldoende profieldiepte hebben.
- ⚠ Als Uw elektrische rolstoel is uitgerust met luchtbanden, moet U deze tot de juiste bandendruk oppompen (*de juiste waarden staan vermeld op de banden*).
- ⚠ Het nemen van trappen mag enkel met de hulp van een begeleider. Als U gebruik kan maken van hellingen of liften, doe dit dan.
- ⚠ Gevaar voor letsel in het geval van een bruske stop - Gebruik hiervoor altijd een veiligheidsgordel.
- ⚠ Gebruik een veiligheidsgordel voor patiënten die extreme bewegingen maken zodat de rolstoel kan omver kantelen.

2 Gebruik

Dit hoofdstuk beschrijft het normaal gebruik. **Deze instructies zijn van toepassing voor de gebruiker en de vakhandelaar.**

Om een servicepunt of vakhandelaar in Uw buurt te vinden, neemt U contact op met de dichtstbijzijnde Vermeiren faciliteit. Een lijst van de Vermeiren faciliteiten zijn terug te vinden op de laatste bladzijde.

De elektrische rolstoel wordt gemonteerd en afgesteld door Uw vakhandelaar. De instructies voor het afstellen van de elektrische rolstoel staan in § 3.

2.1 Toelichting op de elektromagnetische compatibiliteit (EMC)

Uw elektrische rolstoel is getest volgens EN 61000-4-3 and EN 61000-4-2 voor EMC-conformiteit.

We willen er uw aandacht op vestigen dat elektromagnetische storingen kunnen worden veroorzaakt en dat de elektronica van de rolstoel zelf storingen bij andere elektrische apparaten kan veroorzaken.

Om de elektromagnetische storing te verminderen moet U rekening houden met volgende waarschuwingen:

- ⚠ **WAARSCHUWING:** De rolstoel kan de werking van apparaten in zijn omgeving verstoren die elektromagnetische velden uitzenden.
- ⚠ **WAARSCHUWING:** De rijeigenschappen van de rolstoel kunnen worden beïnvloed door elektromagnetische velden (bijv. Elektriciteit generatoren of bronnen met een hoog vermogen).
- ⚠ **WAARSCHUWING:** Gebruik geen draagbare tv's of radio's in de directe buurt van Uw rolstoel zolang deze is ingeschakeld.

-
- ⚠ **WAARSCHUWING: Gebruik geen intercom in de directe buurt van Uw rolstoel zolang deze is ingeschakeld.**
 - ⚠ **WAARSCHUWING: Let in Uw buurt op zendmasten en vermijd het gebruik van de elektrische rolstoel in de omgeving van dergelijke masten.**
 - ⚠ **WAARSCHUWING: Wanneer ongewenste omgevingen of remmanoeuvres optreden, moet U de elektrische rolstoel uitschakelen zodra U dit veilig kan doen.**

Elektromagnetische velden kunnen de werking van de stuurlektronica storen. Mogelijke gevolgen zijn:

- Loszetten van de motorrem
- Oncontroleerbaar gedrag van Uw rolstoel
- Ongewenste stuurbewegingen

Bij erg sterke of voortdurende storende velden kan de elektronica volledig worden gestoord en onherroepelijk worden beschadigd.

Mogelijke storingsbronnen zijn:

- Draagbare zend- en ontvangstinstallaties (zender en ontvanger met gemonteerde antenne)
 - Intercom
 - Draagbare TV, radio- en navigatiesystemen
 - Andere persoonlijke zendapparatuur
- Mobielen middenbereik zend- en ontvangstinstallaties (Bv. autoantenne)
 - Intercom (vast gemonteerd)
 - Handsfree installaties (vast gemonteerd)
 - Radio-, TV- en navigatiesystemen (vast gemonteerd)
- Zend- en ontvangstinstallaties voor lange afstand
 - Radio- en tv-torens
 - Installaties van radiozendamateurs
- Andere huishoudelijke apparaten
 - CD-speler
 - Notebook
 - Magnetron
 - Cassetterecorder
 - etc.

Van apparaten zoals scheerapparaten en haardrogers is geen invloed te verwachten. Toch hangt de perfecte toestand van deze apparaten en hun kabels af van de beïnvloeding. Lees ook de handleidingen van de desbetreffende elektrische toestellen om zo een optimaal gebruik van Uw rolstoel te garanderen.

2.2 Dragen van de elektrische rolstoel

De beste manier om de elektrische rolstoel te dragen is gebruik te maken van het vrijloopsysteem van de elektrische rolstoel. Plaats de rolstoel in vrijloop en rol de rolstoel, met behulp van de handgrepen, naar de gewenste plaats.

Als U de rolstoel op of af trappen moet dragen, doe dit met behulp van rolstoel oprijplaten of liftsystemen. Het transport van de rolstoel over trappen/treden moet altijd door twee personen worden uitgevoerd.

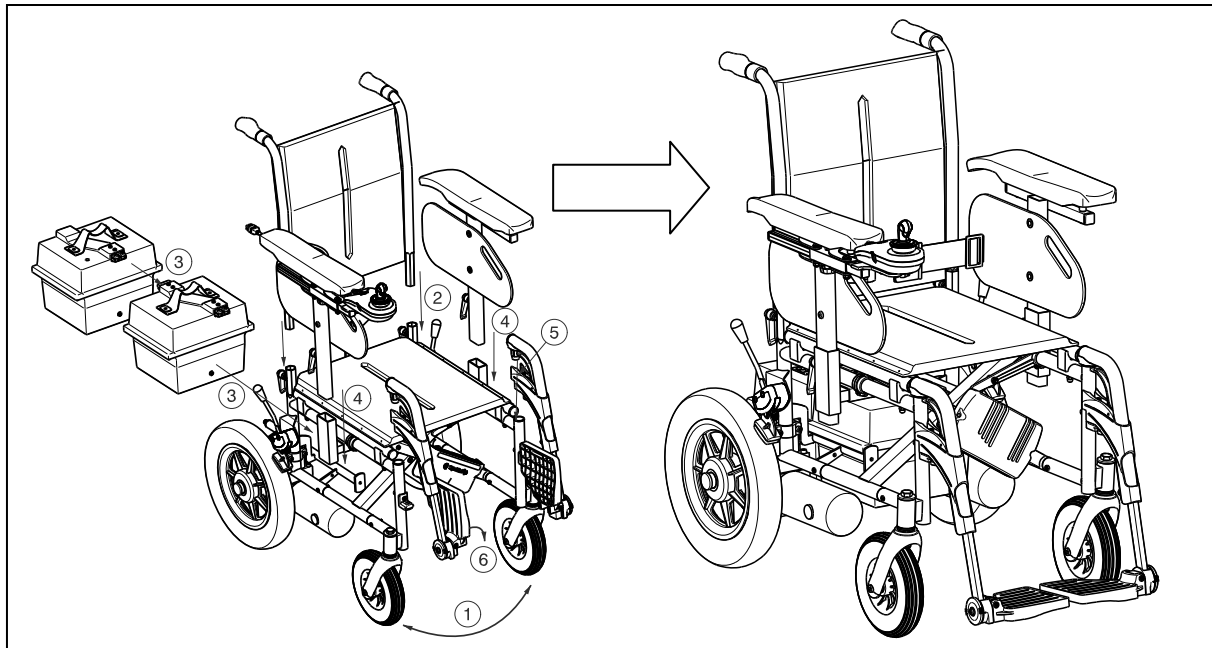
Een andere manier om de elektrische rolstoel te dragen is de elektrische rolstoel te demonteren. Draag de aparte onderdelen (frame, armsteunen, voetsteunen, batterij behuizingen, rug) naar de gewenste plaats. Neem de rolstoel enkel vast aan vaste onderdelen van het frame (nooit bij voetsteunen, armsteunen en wielen).

2.3 Monteren en demonteren van de elektrische rolstoel

De elektrische rolstoel wordt volledig gemonteerd geleverd. Uw vakhandelaar levert de rolstoel volledig gemonteerd en legt de verschillende bedieningselementen en hun gebruik uit. Echter, voor uw eigen veiligheid bieden wij een verdere, gedetailleerde uitleg van de verschillende onderdelen.

2.3.1 Monteren van de elektrische rolstoel

⚠ VOORZICHTIG: Kans op klemmen – Zorg ervoor dat geen kabels gekneld of geklemd kunnen geraken.



Om de elektrische rolstoel te monteren:

1. Vouw de rolstoel (paragraaf 2.4) open.
2. Monteer de rug (paragraaf 2.5).
3. Monteer de 2 batterij behuizingen (paragraaf 2.6).
4. Monteer de armsteunen (paragraaf 2.7).
5. Monteer de voetsteunen (paragraaf 2.8).
6. Vouw de voetplaten van de voetsteunen naar beneden.

Om de elektrische rolstoel te demonteren kan U bovenstaande instructies in omgekeerde volgorde gebruiken.

2.4 Opvouwen of openvouwen van de rolstoel

⚠ VOORZICHTIG: Kans op klemmen - Hou Uw vingers, gespen en kledij weg van de bewegende onderdelen van de rolstoel (bv. kruis, ...).

Om de rolstoel open te vouwen:

1. Ga aan de achterzijde van de rolstoel staan.
2. Gebruik de handgrepen om de rolstoel zo ver mogelijk te openen.
3. Ga aan de voorzijde van de rolstoel staan.
4. Duw beide buizen waaraan de zit bevestigd is verder naar beneden.
5. Plaats de batterij behuizingen op de geleidingen.

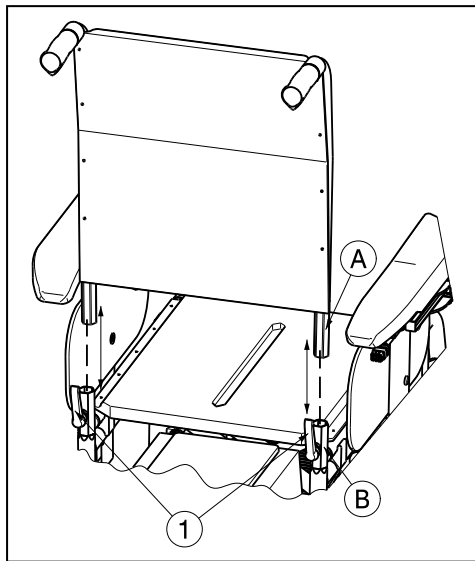
Om de rolstoel op te vouwen:

1. Verwijder de batterij behuizingen.
2. Klap de voetplaten omhoog, of verwijder ze (zie § 2.8).
3. Neem de zit aan de voor- en achterzijde vast en trek deze naar boven.

2.5 Plaatsen of verwijderen van de rug

- ⚠ **WAARSCHUWING:** Gevaar voor letsel – Zorg ervoor dat beide blokkeer hendels ① goed zijn aangedraaid.
- ⚠ **VOORZICHTIG:** Kans op klemmen - Plaats Uw vingers niet tussen de buizen van de rolstoel rug.

De rug van de rolstoel kan volledig verwijderd en op de zit gelegd worden voor transport van de rolstoel.



Om de rug op de elektrische rolstoel te monteren:

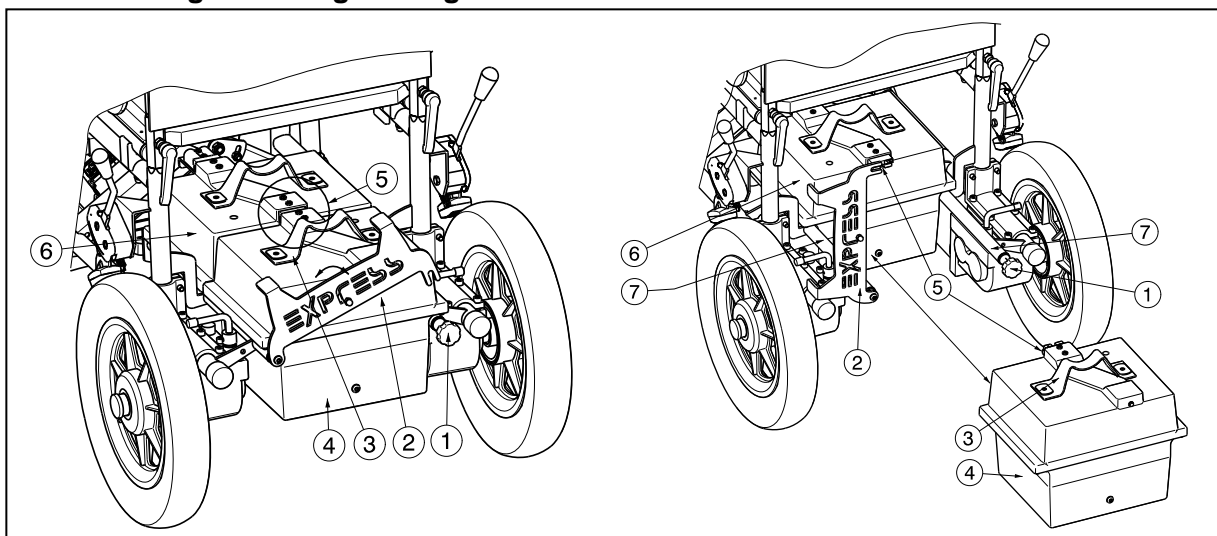
1. Controleer dat de hendels ① niet zijn vastgedraaid anders moet U de hendels ① eerst los draaien.
2. Monteer de buizen van de rug ① in de zeshoekige buizen van het frame ②.
3. Draai de hendels ① weer goed vast.

Om de rug van de elektrische rolstoel te verwijderen:

1. Draai aan de hendels ① totdat deze los komen.
2. Verwijder de buizen van de rug ① uit de zeshoekige buizen van het frame ②.
3. Voor transport kan U nu de rug op de zit leggen.

2.6 Monteren of verwijderen van de batterij behuizing

- ⚠ **VOORZICHTIG:** Kans op klemmen - Plaats Uw vingers niet tussen de batterij behuizingen en de geleidingen van de rolstoel.



Om de batterij behuizingen op de elektrische rolstoel te monteren:

1. Neem de handgreep ③ van de eerste batterij behuizing (zonder thermische zekering) ⑤ vast.
2. Til de batterij behuizing ⑤ op de geleidingen ⑦ van Uw rolstoel.
3. Duw de batterij behuizing ⑤ zo ver mogelijk onder de zit van Uw rolstoel.
4. Controleer dat de connectoren (batterij, stroommodule) in elkaar passen.
5. Neem de handgreep ③ van de batterij behuizing (met thermische zekering) ④ vast.
6. Til de batterij behuizing ④ op de geleidingen ⑦ van Uw rolstoel.
7. Duw de batterij behuizing ④ naar achteren.
8. Controleer dat de connectoren van de batterijen ⑤ in elkaar passen.
9. Draai de plaat ② naar beneden.
10. Draai de sterknop ① handvast aan.

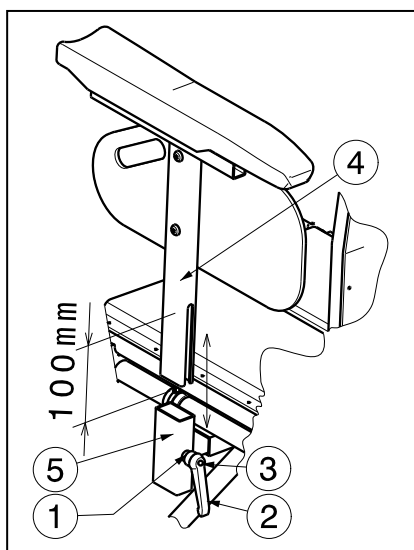
Om de batterij behuizingen te verwijderen uit de elektrische rolstoel:

1. Draai de sterknop ① los.
2. Draai de plaat ② naar boven en naar links.
3. Neem de handgreep ③ van de eerste batterij behuizing (met thermische zekering) ④ vast.
4. Schijf de batterij behuizing naar achteren totdat de connectors van de batterijen ⑤ los komen.
5. Til de eerste batterij behuizing ④ uit de rolstoel.
6. Schijf de tweede batterij behuizing ⑥ naar achteren totdat U deze uit het frame van de rolstoel kan heffen.
7. Til de tweede batterij behuizing ⑥ uit de rolstoel.

2.7 Plaatsen of verwijderen van de armsteunen

- ⚠ **WAARSCHUWING: Gevaar voor letsel en/of schade – Zorg ervoor dat alle hendels ① goed zijn aangedraaid voor U Uw rolstoel gebruikt.**
- ⚠ **WAARSCHUWING: Kantelgevaar - Controleer dat de armsteunen aan elke zijde op dezelfde hoogte zijn ingesteld.**
- ⚠ **VOORZICHTIG: Kans op klemmen - Hou Uw vingers, gespen en kledij uit de buurt van het bevestigingspunt van de armsteunen.**

De armsteunen kunnen worden verwijderd zodat de patiënt zijdelings kan bewegen. De armsteunen kunnen ook voor therapeutische doeleinden en transfers in / uit de rolstoel worden verwijderd.



Om de armsteunen op de elektrische rolstoel te monteren:

1. Monteer de armsteun ④ in de rechthoekige buis ⑤.
2. Zet de hendel ① terug goed vast. (Indien de handgreep van de hendel ② niet goed staat, kan U op knop ③ van de hendel duwen en de handgreep ② in de goede positie plaatsen zodat het risico op handblessures wordt vermeden).

Voor het verwijderen van de armsteunen uit de elektrische rolstoel gaat U als volgt te werk:

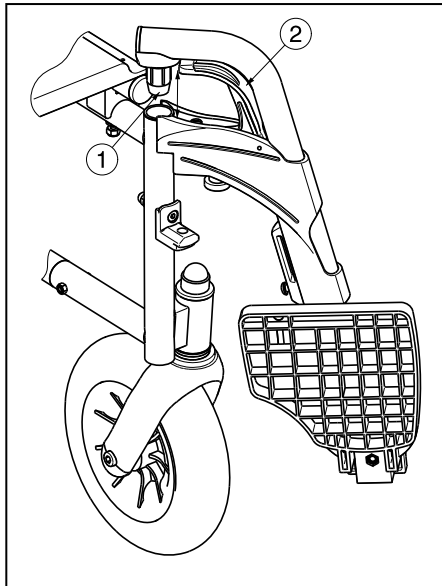
1. Draai aan de hendel ① totdat deze los komt. (Indien de handgreep van de hendel ② niet goed staat, kan U op knop ③ van de hendel duwen en de handgreep ② in de goede positie plaatsen zodat het risico op handblessures wordt vermeden).
2. Verwijder de armsteun ④ uit de rechthoekige buis ⑤.

De armsteunen kunnen in verschillende hoogtes over een bereik van 90 mm (traploos) worden versteld. Hou een veilige afstand van 10 mm aan de onderkant van de armsteun.

1. Maak de hendel ① lichtjes los.
2. Beweeg de rechthoekige buizen ④ en ⑤ over elkaar tot de gewenste armsteun hoogte.
3. Draai de hendel ① terug handvast aan.
4. Controleer dat de hendel ① terug goed is vastgemaakt.
5. De andere armsteun kan met dezelfde instructies worden versteld.

2.8 Plaatsen of verwijderen van de voetsteunen

⚠ VOORZICHTIG: Kans op letsel – Zorg ervoor dat de voetsteunen goed vast zitten.



Het plaatsen van de voetsteunen gaat als volgt:

1. Houd de voetsteun zijdelings aan de buitenkant van het frame van de rolstoel en monteer de voetsteun met de dop ① in het frame.
2. Zwenk de voetsteun naar binnen tot deze vastklikt.
3. Draai de voetplaat naar beneden.
4. Controleer dat de voetsteun terug goed is vastgemaakt.

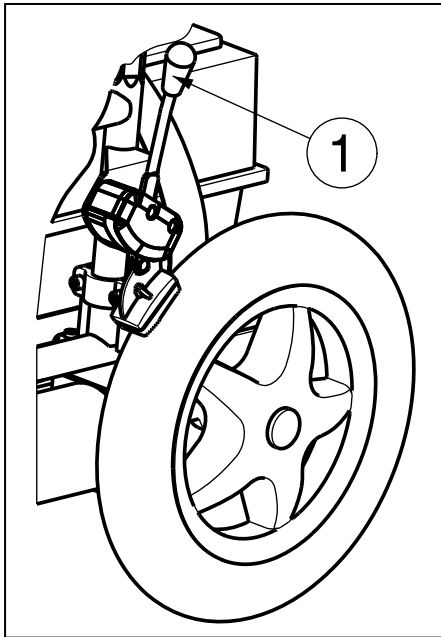
Om de voetsteunen te verwijderen gaat U als volgt te werk:

1. Trek hendel ② omhoog.
2. Draai de voetsteun naar buiten tot deze uit de geleiding komt.
3. Trek de voetsteun omhoog uit dop ①.

2.9 Bedienen van de parkeerremmen.

Voor elk aandrijf wiel is Uw elektrische rolstoel voorzien van parkeerremmen.

- ⚠ WAARSCHUWING: De remmen dienen niet om af te remmen tijdens het rijden - Gebruik de rem enkel om te vermijden dat de rolstoel in stilstaande positie wegrolt.**
- ⚠ WAARSCHUWING: De werking van de handremmen worden beïnvloed door slijtage en vervuiling van de banden (water, olie, slijk, ...) – Controleer voor elk gebruik de staat van de banden.**
- ⚠ WAARSCHUWING: De remmen zijn instelbaar en kunnen verouderen – Controleer voor elk gebruik de goede werking van de remmen.**



Om de remmen in te schakelen:

1. Druk de hendels ① van de remmen naar voren tot U een duidelijke klik voelt.

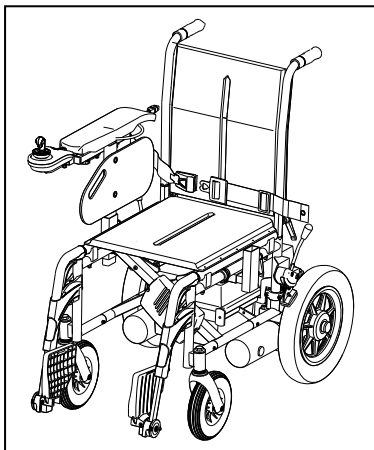
⚠ VOORZICHTIG: Gevaar op ongecontroleerde bewegingen - Zorg ervoor dat alvorens de remmen los te zetten, de rolstoel vlak staat. Los nooit beide remmen tegelijk.

Om de remmen uit te schakelen:

1. Zet eerst één rem los door de hendel ① naar achteren te trekken.
2. Los de andere rem door de hendel naar achteren te trekken.

2.10 Transfer in en uit de elektrische rolstoel

- ⚠ **WAARSCHUWING:** Alvorens U in of uit de rolstoel stapt moet U de rolstoel uitschakelen.
- ⚠ **VOORZICHTIG:** Indien U de transfer niet veilig op eigen kracht kan uitvoeren, vraag dan hulp van iemand anders.
- ⚠ **VOORZICHTIG:** Gevaar voor letsel – Gebruik geen joystick, voetplaten, armsteunen als ondersteuning.
- ⚠ **VOORZICHTIG:** Kans op kantelen van de rolstoel - Niet op de voetplaten gaan staan.



1. Parkeer de elektrische rolstoel zo dicht mogelijk bij de plaats van/naar waar U zich wilt verplaatsen.
2. Controleer dat de besturing uit staat. Controleer dat de rolstoel niet in vrijloopmodus staat.
3. Vouw de voetplaten naar boven zodat U er niet op gaat staan.
4. Indien U zich langs de zijkant in of uit de rolstoel wilt verplaatsen, kan U de de armsteun aan die zijde verwijderen.
5. Verplaats U van of naar de elektrische rolstoel.

2.11 Correcte positie in de elektrische rolstoel

Enkele aanbevelingen om comfortabel van Uw elektrische rolstoel gebruik te maken:

1. Plaats Uw zitvlak zo dicht mogelijk bij de rug.
2. Zorg dat Uw bovenbenen horizontaal zijn – Stel eventueel de lengte van de voetsteunen bij.

2.12 Rijden met de elektrische rolstoel

- ⚠ WAARSCHUWING:** Gevaar voor brandwonden – Wees voorzichtig bij het rijden in extreem warme of koude omgevingen (zon, extreme koude, enz.) voor een bepaalde tijd en bij het aanraken.
- ⚠ WAARSCHUWING:** Risico bij onveilige beperkingen – Gebruik enkel de rijeigenschappen beschreven in deze handleiding.

2.12.1 Instappen

Wanneer U de elektrische rolstoel voor de eerste keer gebruikt, moet U ervoor zorgen dat de rolstoel op een vlakke ondergrond staat. Alle wielen moeten de grond raken.

1. Controleer dat de motorkoppeling is ingeschakeld en de besturing uit staat.
2. Pas de rolstoel zo goed mogelijk naar Uw comfort aan.
3. Plaats de besturing naar de meest comfortabele positie.
4. Ga neer zitten op de zit en controleer dat beide armsteunen zo staan ingesteld dat Uw onderarmen hier op kunnen steunen.
5. Zet Uw rolstoel aan met de "AAN/UIT" knop van de besturing.

Zet nu de snelheidsregelaar van Uw besturing in de laagste stand. Uw elektrische rolstoel is nu klaar voor gebruik.

2.12.2 Uitstappen

Voor U uitstapt, moet U de elektrische rolstoel zo parkeren dat alle wielen tegelijk de grond raken.

Druk op de "AAN/UIT" knop van de besturing, de display van de besturing gaat uit.

2.13 Bedienen van de elektromagnetische remmen.

Laat de joystick los om de elektrische rolstoel te stoppen.

2.13.1 Parkeren van Uw elektrische rolstoel

Wanneer Uw elektrische rolstoel uitgeschakeld is, kunnen geen rij-opdrachten meer worden gegeven. Parkeer steeds Uw elektrische rolstoel op gemakkelijk bereikbare en goed zichtbare plaatsen en op horizontale ondergronden zodat de vier wielen de grond raken.

2.13.2 Besturingen

De gebruiksinstructies voor de besturing kan U terug vinden in de aparte gebruikershandleiding van de besturing. Deze wordt mee geleverd met Uw elektrische rolstoel.

Veranderen van de software mag enkel door Vermeiren zelf. Voor veranderingen in de software contacteer Vermeiren.

2.13.3 Instellen van de besturing

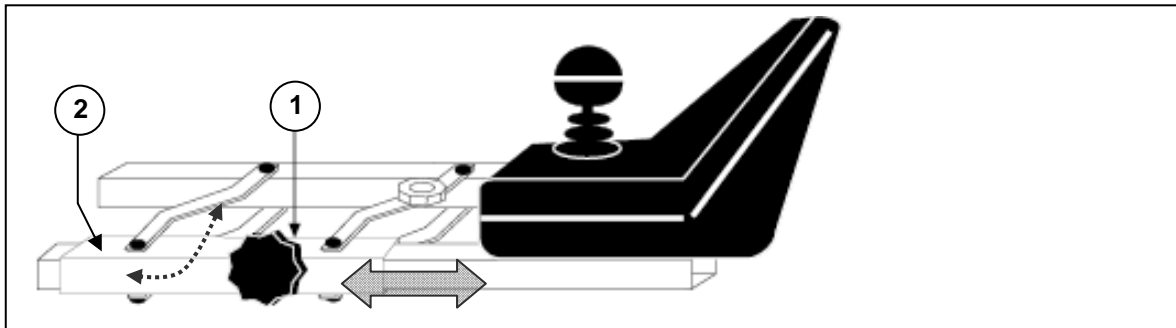
⚠ VOORZICHTIG: Klemgevaar - Plaats Uw vingers niet tussen de besturing en de andere onderdelen bij het juist positioneren van de besturing.

De horizontale positie van de besturing kan worden aangepast door:

1. Draai schroef ① juist onder het armkussen lichtjes los.
2. Verplaats de besturing tot de gewenste positie of verwijder de besturing.
3. Maak schroef ① terug goed vast.

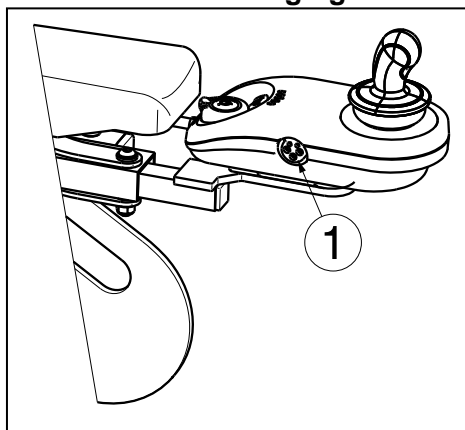
Als schroef ① wordt uitgetrokken naar de zijkant, kan de besturing naar die zijde gedraaid worden.

NOTA: De schroef ① kan, afhankelijk van de uitvoering, ook aan de onderkant van de geleidingsbuis ② zijn aangebracht.



2.13.4 Aansluitingen batterijlader / programmeerapparaat

⚠ WAARSCHUWING: Gevaar voor letsel – Zorg ervoor dat alle stekkers (van de batterijlader en eventueel programmeerapparaat) zijn verwijderd voordat U de rolstoel in beweging zet.



Aan de voorzijde van de besturing bevindt zich de contactbus ① voor de aansluiting van de meegeleverde batterijlader. De aansluiting voor het programmeerapparaat mag enkel door erkend en speciaal opgeleid personeel worden aangesloten en gebruikt (Vermeiren personeel).

Zorg er steeds voor dat de joystick zich in een neutrale positie bevindt wanneer U Uw rolstoel in- of uitschakelt, anders kan de besturing zichzelf vergrendelen voor Uw eigen veiligheid. Deze blokkering kan worden opgeheven door de besturing uit en aan te zetten.

2.13.5 Uw eerste rit

⚠ WAARSCHUWING: Hou Uw elektrische rolstoel onder controle – Maak U vertrouwd met de rijeigenschappen van de elektrische rolstoel.

- Rijden

Nadat U plaatsgenomen hebt in de elektrische rolstoel en deze hebt aangezet zoals hierboven beschreven, neemt U de joystick met Uw hand en duw deze in de gewenste richting:

DUWACTIE NAAR VOOR = VOORWAARTS RIJDEN
DUWACTIE NAAR ACHTEREN = ACHTERWAARTS RIJDEN

- Remmen

Om te remmen laat U de joystick los zodat deze in neutrale stand gaat. Uw elektrische rolstoel remt zacht af en komt tot stilstand. Oefen het rijden en remmen zodat U het rijgedrag gewoon bent en leert inschatten hoe Uw elektrische rolstoel reageert bij het rijden en remmen.

- Rijden in hoeken en bochten

⚠ WAARSCHUWING: Kantelgevaar – Bij het rijden door bochten moet U Uw snelheid duidelijk minderen.

⚠ WAARSCHUWING: Kans op klemmen – Hou steeds voldoende zijdelingse afstand tot hoeken en hindernissen.

Beweeg de joystick in de richting naar waar U wenst te draaien. De voorwielen draaien en sturen de elektrische rolstoel onmiddellijk in de nieuwe aangegeven richting. Let er bij bochten en hoeken altijd op dat er voldoende plaats is om de bocht of hoek te nemen. Smalle doorgangen moeten zo worden genomen: rij eerst in een zo groot mogelijke bocht naar de doorgang zodat U de smalle doorgang vrijwel recht kunt nemen.

Vermijd het schuin aanzetten van bochten. Door de bocht te “snijden” kunnen de achterwielen, rug van de rolstoel een hindernis raken en zo de stabiliteit van de elektrische rolstoel in het gedrang brengen.

2.13.6 Achterwaarts rijden

⚠ WAARSCHUWING: Hou Uw elektrische rolstoel onder controle – Maak U vertrouwd met de rijeigenschappen van de elektrische rolstoel.

⚠ WAARSCHUWING: Hou Uw snelheid onder controle – Bij het achterwaarts rijden altijd de laagste snelheid gebruiken.

⚠ WAARSCHUWING: Gevaar voor aanrijding – Kijk bij het achterwaarts rijden altijd achterom.

Bij het achterwaarts rijden moet U goed opletten. De snelheid bij het achterwaarts rijden ligt weliswaar lager dan bij het voorwaarts rijden, toch adviseren wij U om bij het achterwaarts rijden de snelheidsregelaar op minimum te zetten.

Bij het achterwaarts rijden werken de linkse en rechtse joystick beweging omgekeerd.

2.13.7 Hellingen

- ⚠ **WAARSCHUWING:** Hou Uw elektrische rolstoel onder controle – Maak U vertrouwd met de rijeigenschappen van de elektrische rolstoel.
- ⚠ **WAARSCHUWING:** Hou Uw elektrische rolstoel onder controle – Zet op hellingen uw elektrische rolstoel nooit in vrijloop.
- ⚠ **WAARSCHUWING:** Hou Uw snelheid onder controle – Gebruik altijd de laagst mogelijke snelheid bij het rijden op hellingen.
- ⚠ **WAARSCHUWING:** Kantelgevaar – Overschrijd de maximum hellingshoek van statische stabiliteit bergop niet (zie paragraaf "Technische specificaties").
- ⚠ **WAARSCHUWING:** Rijd nooit achterwaarts op een helling.

Rijd altijd recht op een helling en vermijd dat de wielen loskomen van de grond (oprijden van rampen, opritten, enz.) omdat dan de elektrische rolstoel kan kantelen.

Wanneer U op een helling stopt omdat U de joystick loslaat, is Uw elektrische rolstoel beveiligd tegen onverwachts weggrollen. Wanneer de joystick in neutrale stand staat, wordt de motorrem geactiveerd.

Bij het verder rijden op een helling drukt U de joystick zo ver mogelijk naar voren, zodat er voldoende energie geleverd wordt om te rijden. Uw elektrische rolstoel zal de helling langzaam oprijden.

Wanneer de snelheid niet hoog genoeg is om de helling te nemen, draait U de snelheidsregelaar hoger en probeert U opnieuw.

2.13.8 Dalingen

- ⚠ **WAARSCHUWING:** Hou Uw elektrische rolstoel onder controle – Maak U vertrouwd met de rijeigenschappen van de elektrische rolstoel.
- ⚠ **WAARSCHUWING:** Hou Uw elektrische rolstoel onder controle – Zet bij dalingen Uw elektrische rolstoel nooit in vrijloop.
- ⚠ **WAARSCHUWING:** Hou Uw snelheid onder controle – Gebruik altijd de laagst mogelijke snelheid bij het nemen van dalingen.
- ⚠ **WAARSCHUWING:** Kantelgevaar – Vermijd scherpe bochten.
- ⚠ **WAARSCHUWING:** Kantelgevaar – Overschrijd de maximum hellingshoek van statische stabiliteit bergaf niet (zie paragraaf "Technische specificaties").

Neem een daling altijd recht. Anders kunnen de wielen loskomen van de grond (gevaar voor kantelen).

Door het eigen gewicht van de elektrische rolstoel ligt de snelheid bij dalingen hoger. Zet de snelheidsregelaar op een lagere snelheid.

Vermijd scherpe bochten bij dalingen. Door het eigen gewicht van de elektrische rolstoel kan deze opzij loskomen van de grond en omvallen.

2.14 Rijden met de elektrische rolstoel op trappen

- ⚠ **WAARSCHUWING:** Gevaar voor letsel – Blijf tijdens het transport rustig in de rolstoel zitten en vermijd plotse bewegingen. Wanneer U door Uw ziekte of handicap niet rustig in de stoel kunt blijven zitten (bijvoorbeeld lichte spasmen, enz.), zijn minstens twee extra personen nodig die bij het transport de rolstoel opzij aan vaste onderdelen van het frame vasthouden.
- ⚠ **WAARSCHUWING:** Gevaar voor letsel – Draag aangepaste veiligheidsgordels tijdens het transporteren (meer informatie krijgt U bij de vakhandelaar).
- ⚠ **WAARSCHUWING:** Gevaar voor letsel – Tijdens het transport dient U erop te letten dat Uw armen en benen in de rolstoel blijven.

Als U met Uw rolstoel op of af trappen wil rijden, moet U gebruik maken van rolstoel oprijplaten of liftsystemen.

2.15 De elektrische rolstoel rijden op oprijplaten.

- ⚠ **WAARSCHUWING:** Gevaar voor letsel – Overschrijd de maximale belasting van de oprijplaten niet.
- ⚠ **WAARSCHUWING:** Gevaar voor letsel – Kies de correcte oprijplaten om letsel of schade te vermijden.
- ⚠ **WAARSCHUWING:** Zorg ervoor dat de wielhoogte hoog genoeg is om over de vrije hoogte van de oprijplaten te geraken. Het frame van de elektrische rolstoel mag niet tegen de oprijplaten komen.
- ⚠ **WAARSCHUWING:** Gebruik een veiligheidsgordel om veilig in de rolstoel te blijven zitten.
- ⚠ **WAARSCHUWING:** Zet de verstelfuncties (zit, rug, voetsteunen, ...) zo dat de rolstoel de beste stabiliteit heeft.

Wanneer U voor het nemen van hindernissen oprijplaten wenst te gebruiken, dient U rekening te houden met het volgende:

1. Vraag de maximum belasting van de oprijplaten na bij de fabrikant.
2. Rij de oprijplaten op met de laagst mogelijke snelheid.
3. Zie de instructies in hoofdstuk "Uw eerste rit".

Bij de optionele uitvoering met verstelfuncties dient U erop te letten dat (omdat dit invloed heeft op de stabiliteit van uw elektrische rolstoel):

1. De zit in de laagste en meest horizontale positie wordt geplaatst.
2. De rug zo recht mogelijk wordt gezet.
3. De beensteunen zo zijn ingesteld, dat deze tijdens het nemen van hindernissen nergens tegen aan kunnen stoten.

Wanneer U door een begeleider wordt voortgeduwd, moet U er rekening mee houden dat door het hoge gewicht van de rolstoel zelf, de rolstoel gemakkelijker achteruit kan rollen.

2.16 Duwen van de rolstoel




- ⚠ **WAARSCHUWING:** Hou Uw elektrische rolstoel onder controle – Zet nooit Uw elektrische rolstoel in vrijloop wanneer U aan het rijden bent.
- ⚠ **WAARSCHUWING:** Hou Uw elektrische rolstoel onder controle – Zet op hellingen Uw elektrische rolstoel nooit in vrijloop. De rolstoel kan dan onverwachts weggrollen.

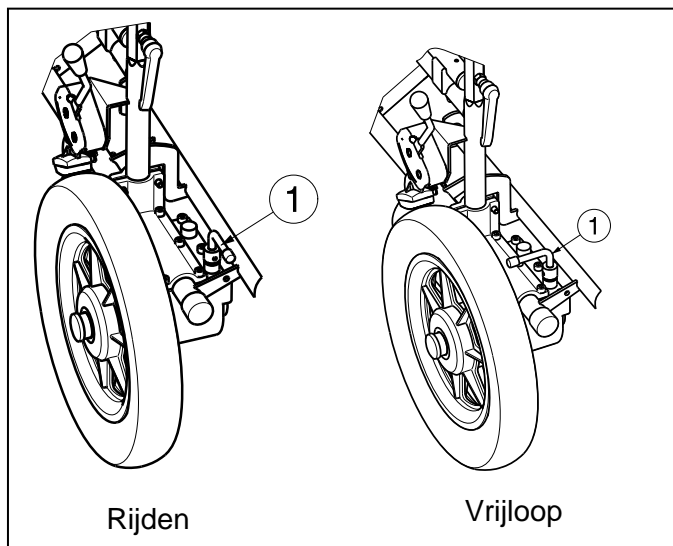
De rolstoel wordt voorzien van een vrijloopsysteem dat alleen bereikbaar en bedienbaar is door de begeleider.

2.16.1 150W motoren - 6km/h

Zet de stoel in vrijloop met de verstelhendels ① op beide motoren. Deze hendels bevinden zich aan de achterkant van de elektrische rolstoel.

Volg onderstaande instructies om de motoren te koppelen en ontkoppelen:

-  **RIJDEN**
Trek de verstelhendels ① van beide motoren in de rij-positie. Maak de parkeerremmen los. Schakel de besturing terug uit en in. Elektronisch rijden is nu mogelijk.
-  **VRIJLOOP**
Duw de verstelhendels ① van beide motoren in de vrijloop positie, de vrijloop van de rolstoel is geactiveerd. Nu kan de rolstoel zonder elektrische aandrijving worden voortgeduwd.
-  In vrijloop is de rolstoel niet meer geremd. Activeer vrijloop nooit op hellingen.



- ⚠ Als de vrijloop is geactiveerd, is het elektromagnetische remsysteem uitgeschakeld en is de rolstoel niet meer tegen weggrollen beveiligd. Let erop dat U de rolstoel niet op een helling of ongelijkmatige ondergrond parkeert omdat deze anders onbedoeld kan weggrollen.
- ⚠ De elektronica geeft met knipperen van het sleutelsymbool aan dat elektronisch rijden niet mogelijk is.

2.17 Transport in de auto

- ⚠ **GEVAAR:** Gevaar voor letsel – De rolstoel is niet geschikt om te gebruiken als een zit in een motorvoertuig.
- ⚠ **WAARSCHUWING:** Gevaar voor letsel – Geen personen of voorwerpen mogen zich onder de elektrische rolstoel bevinden gedurende het transport.
- ⚠ **WAARSCHUWING:** Gevaar voor letsel – Zorg ervoor dat de rolstoel voldoende vastgemaakt is om verwonding van de inzittenden tijdens aanrijding of plots remmen te voorkomen. Let erop dat U de rolstoel uitsluitend aan de vaste onderdelen van het frame vastmaakt.
- ⚠ **WAARSCHUWING:** Gevaar voor letsel – Gebruik voor het vastmaken van de rolstoel en de passagiers **NOOIT** dezelfde gordel.

Gebruik de rolstoel nooit als een zit in een auto of ander voertuig. De rolstoel wordt gemarkeerd met het volgende symbool:



Om de rolstoel in de auto te transporteren:

De beste manier om de elektrische rolstoel in de auto te transporteren is om gebruik te maken van oprijplaten.

Wanneer U geen ervaring heeft met de rolstoel op oprijplaten te rijden, kan U de rolstoel ook in vrijloop plaatsen en deze via oprijplaten in de auto duwen.

Wanneer de rolstoel niet in de auto past is het ook mogelijk om de rolstoel op volgende manier te transporteren:

1. Verwijder alle verwijderbare onderdelen alvorens te transporteren (voetsteunen, armsteunen, batterij behuizingen, enz.).
2. Berg deze verwijderbare onderdelen veilig op.
3. Plaats de elektrische rolstoel in de auto door de vaste onderdelen van het frame vast te nemen. Doe dit met behulp van 2 personen.
4. Maak de vaste onderdelen van het frame goed vast aan het voertuig.
5. Plaats de rolstoel in rijmodus (inschakelen van de parkeerremmen) en controleer dat de besturing uitgeschakeld is.

2.18 Transport in een vliegtuig

De elektrische rolstoel kan worden vervoerd in een vliegtuig. De elektrische rolstoel kan worden ingecheckt aan de in-check balie. Meld de rolstoel tijdig aan bij de desbetreffende vliegmaatschappij alvorens vertrek. Gebruik de elektrische rolstoel niet als een zit in een vliegtuig, de rolstoel moet worden gestockeerd in de bagageruimte.

Hou rekening met volgende vereisten om een rolstoel te vervoeren in een vliegtuig:

1. Type en eigenschappen van de rolstoel (joystick, batterijen)

De rolstoel wordt voorzien van droge of gel batterijen. Meestal moeten deze batterijen niet verwijderd worden uit de rolstoel. Ontkoppel en isoleer enkel de elektrische connecties van de batterij.

2. Afmetingen en gewicht van de rolstoel

Het toelaatbare gewicht en afmetingen van de rolstoel hangt af van het type vliegtuig.

3. Schade aan de rolstoel

Het is mogelijk dat de rolstoel beschadigd wordt omdat deze wordt gestockeerd in een nauwe ruimte met reiskoffers en andere goederen.

Om schade aan de rolstoel te vermijden:

- Zet de elektrische aanpassingen in standaard positie (lift kolom zo laag mogelijk, zit inclinatie horizontaal, rug inclinatie in de meest voorwaartse positie).

- Vouw de voetplaten naar boven, plaats de armsteunen in de meest naar binnen gerichte positie.
- Controleer dat de verstelhendels naar binnen zijn gepositioneerd.
- Bedek de besturing met een zacht materiaal dat schokken kan weerstaan.

Alvorens te reizen is het best om contact op te nemen met de desbetreffende vliegmaatschappij in verband met de vereisten om Uw rolstoel in een vliegtuig te transporteren.

2.19 Batterijen

Standaard is de elektrische rolstoel uitgerust met 2 gesloten AGM batterijen met een vermogen van 12 V/38 Ah of 50 Ah. De batterijen die voor Uw elektrische rolstoel zijn gebruikt, zijn aandrijfbatterijen, die hun volle capaciteit pas na enkele laad- en gebruikscycli bereiken.

Wanneer de batterijen door lang gebruik niet meer hun volledige vermogen leveren of wanneer de batterijen beschadigd zijn, dient U beide batterijen door een vakhandelaar te laten vervangen.

Wij zijn niet aansprakelijk voor schade die ontstaat door het gebruik van batterijen van derden.

Wanneer de batterijen worden geopend, vervalt de aansprakelijkheid van de fabrikant en de garantie.

Stel de batterijen niet bloot aan temperaturen onder +5°C en boven +50°C (optimaal: +20°C).

Gebruik alleen de originele batterijen. Wij zijn niet aansprakelijk voor schade die ontstaat door het gebruik van andere batterijen.

2.20 Batterijlader

Gebruik voor het opladen van de batterijen uitsluitend de bijgeleverde batterijlader. Voor de gebruikersinstructies van de batterijlader kan U gebruik maken van de handleiding dat wordt meegeleverd met Uw batterijlader.

2.21 Laden van de batterijen

⚠ VOORZICHTIG: Gevaar voor letsel – Gebruik voor het opladen van de batterijen uitsluitend de bijgeleverde batterijlader.

Omdat het laadapparaat de laadcurve afstemt op de laadtoestand van de batterijen, kan U Uw rolstoel na elk gebruik laden. Hierdoor worden agressieve oplading van de batterijen en het "memory-effect" zoveel mogelijk voorkomen.

Laad de rolstoel uiterlijk wanneer op de besturing de laadtoestand in het rode veld staat. Wanneer U toch nog verder rijdt, geeft het voortdurend knipperen van de laatste rode LED aan dat de batterij onvoldoende capaciteit heeft. Wanneer U ook dit waarschuwingssignaal negeert, verschijnt na korte tijd op de elektronica een storingscode dat de batterijen onvoldoende vermogen hebben om te kunnen rijden. Daarom dient U Uw batterijen met het bijgeleverde laadapparaat op te laden voordat U deze storingsmeldingen krijgt. Voorkom in ieder geval dat de batterijen diep worden ontladen.

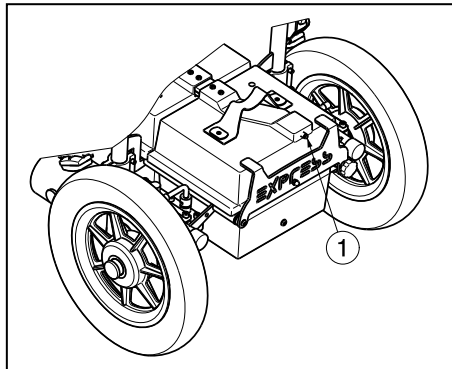
Kijk naar de aparte handleiding van de batterijlader, voor het gebruik van de batterijlader.

Wanneer U Uw elektrische rolstoel gedurende langere tijd niet gaat gebruiken, dient U deze toch nog geregeld aan te sluiten op de batterijlader om de batterijen bij te laden en de rolstoel bedrijfsklaar te houden.

De fabrikant is niet aansprakelijk voor schade als gevolg van verkeerd laden.

Voor meer informatie kunt U de gebruiksaanwijzing van de batterijlader raadplegen.

2.22 Thermische zekering



Om de motor te beveiligen tegen overbelasting is aan de achterkant van de rolstoel, aan de bovenzijde van de eerste batterij behuizing, een thermische zekering ① voorzien, die automatisch het vermogen naar de motoren onderbreekt omdat deze anders warm kunnen lopen en daardoor sneller verslijten of defect raken. De thermische zekering kan worden geactiveerd wanneer hellingen worden bereden die de vermelde maximumwaarden overschrijden. Ook bij een nominale belasting die hoger is dan de maximumwaarde kan de zekering doorslaan.

Om de elektrische rolstoel opnieuw in gebruik te nemen, lost U de betreffende overbelasting op en wacht U tot de motor is afgekoeld. Daarna drukt U de zekering voorzichtig in. Het systeem is nu weer klaar voor gebruik.

3 Montage en afstelling

De in dit hoofdstuk beschreven instructies zijn enkel bestemd voor de vakhandelaar.

De Express VB is ontworpen als een elektrische rolstoel met achterwiel aandrijving.

- ⚠ **WAARSCHUWING: Risico bij onveilige instellingen - Gebruik enkel de instellingen beschreven in deze handleiding.**
- ⚠ **WAARSCHUWING: Kantelgevaar - Variaties van de toelaatbare instellingen kunnen de stabiliteit van Uw rolstoel beïnvloeden (naar achteren of op zij kantelen).**

3.1 Gereedschap

Om Uw Vermeiren Express VB op te bouwen is het volgende gereedschap nodig:

- Steek-/ringsleutel set n° 10
- Inbussleutel set n° 4 tot n° 5

3.2 Leveringsomvang

De elektrische rolstoel wordt geleverd met:

- Frame met armsteunen, besturing, achter en voorwielen, zit en rug
- 1 paar voetsteunen
- 2 aparte aandrijfbatterijen + batterij behuizingen, 2 x aandrijfmotoren
- Batterijlader + handleiding batterijlader
- Elektronica
- Gereedschap
- Besturing + Handleiding besturing
- Accessoires

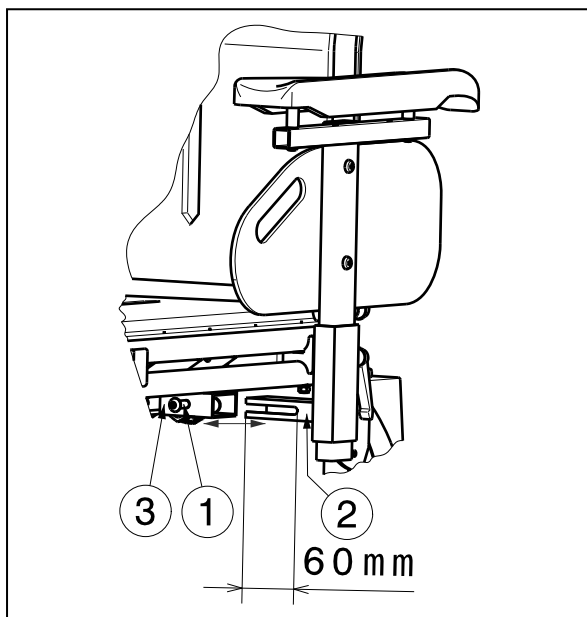
Voor gebruik controleer of alles is meegeleverd en of er geen beschadiging is aan de producten (bv. door transport, ...). Denk eraan dat de basis configuratie kan variëren in de verschillende Europese landen. Neem contact op met de vakhandelaar.

3.3 Mogelijke verstellingen

- ⚠ **WAARSCHUWING:** Gevaar voor letsel – Zet de elektrische rolstoel uit voor U de aanpassingen uitvoert.
- ⚠ **WAARSCHUWING:** Gevaar voor letsel – Voer geen aanpassingen uit terwijl U rijdt.
- ⚠ **WAARSCHUWING:** Gevaar voor letsel – Aanpassingen mogen enkel door de vakhandelaar worden uitgevoerd.
- ⚠ **WAARSCHUWING:** Gevaar voor letsel – Zorg ervoor dat alle schroeven, hendels goed zijn vast gemaakt met de hand alvorens met de elektrische rolstoel te rijden.
- ⚠ **VOORZICHTIG:** Kans op klemmen - Hou Uw vingers, gespen en kledij uit de buurt van de bevestigingspunten of enige bewegende onderdelen.

3.3.1 Afstellen van de armsteunen

De breedte van de armsteunen kan in horizontale richting versteld worden:



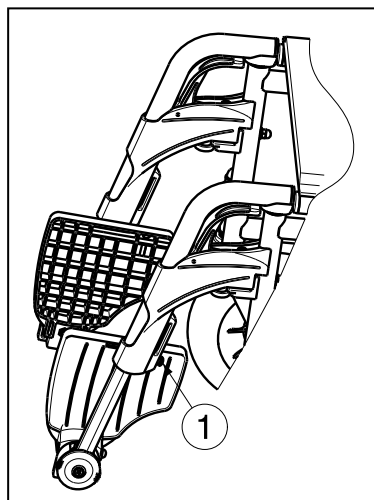
1. Zet de schroeven met binnenzeskant ① juist onder het zitframe los.
2. Beweeg de armsteun in een horizontale richting tot de correcte positie, door de rechthoekige buizen ② en ③ over elkaar te schuiven. (Bereik 60 mm: traploos)
3. Maak de schroeven ① terug goed vast.
4. Herhaal bovenstaande instructies voor de andere armsteun.

Controleer dat de armsteunen aan beide zijden identiek gepositioneerd zijn.

3.3.2 Instellen van de voetsteunen

* Instellen van de lengte:

- ⚠ **VOORZICHTIG:** Zorg er voor dat de voetsteunen niet over de grond slepen. Houd een minimum afstand van 30 mm tot de grond aan.



Stel de lengte van de voetsteunen als volgt in:

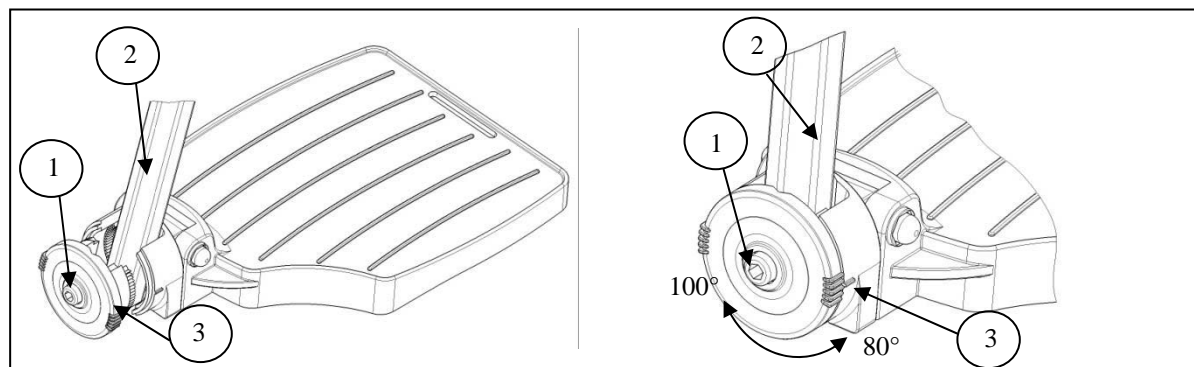
1. Verwijder de schroef ① (aan de achterkant van de voetsteun).
2. Stel de lengte van de voetsteun op een comfortabele lengte in (bereik: 120 mm, traploos).
3. Draai de schroef ① goed vast.

* Afstellen van de voetplaten:

De voetplaten kunnen in 2 posities gebruikt worden. Standaard staan ze afgesteld met de voetplaat in de achterste positie.

Door de linker en rechter voetplaat uit te wisselen, kunnen de voetplaten naar voor veresteld worden.

* Afstellen van de voetplaten:



Om de hoek van de voetplaten te verstellen gaat U als volgt te werk:

1. Draai bout ① los.
2. Verstel de buis ② in de gewenste hoek. De aanduiding van de hoek (80°-85°-90°-95°-100°) wordt aangegeven door de streepjes ③.
3. Maak de bout ① terug vast.

3.4 Aansluiting batterijen

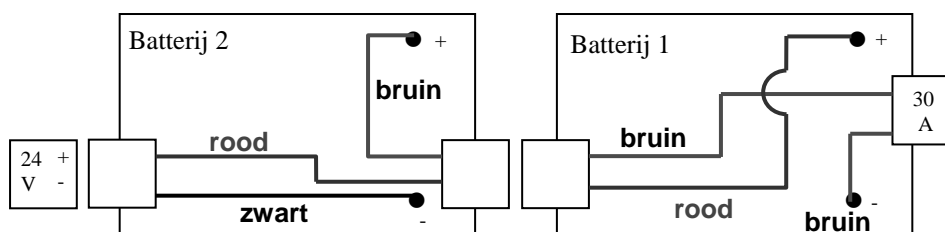
⚠ VOORZICHTIG: Gevaar voor letsel - Controleer dat er geen gereedschappen of geleidende onderdelen tussen de polen van de batterijen komen, om onbedoelde elektrische stromen te vermijden.

⚠ VOORZICHTIG: Gevaar voor letsel, beschadigingen - Werk niet in vochtige omgevingen met batterijen en elektronica.

De beste manier om de batterijen los te koppelen:

1. Ontkoppel de batterij 1.
2. Ontkoppel de batterij 2.

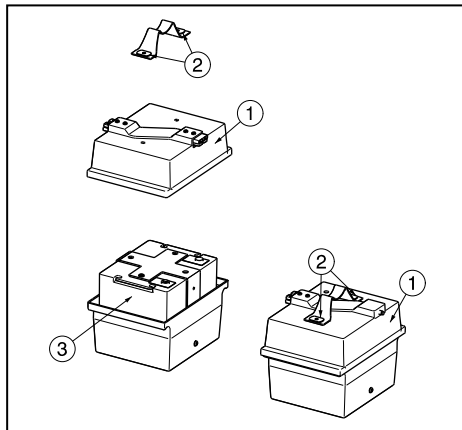
Om de batterijen aan te sluiten kan U bovenstaande instructies in omgekeerde volgorde uitvoeren.



3.5 Vervangen van de batterijen

⚠ VOORZICHTIG: Kans op brandwonden - Kom niet in contact met de zuren van de batterijen. Zorg voor een goede ventilatie van de batterijhouder.

Laat de batterijen vervangen door daarvoor opgeleid personeel.



De batterijen kunnen met volgende instructies vervangen worden:

1. Verwijder de twee batterij behuizingen van de rolstoel.
2. Verwijder het deksel van de batterij ① door de bouten ② van de handgreep ③ los te maken.
3. Ontkoppel alle draden van de batterijen.
4. Til de batterijen ③ uit de batterij behuizing.
5. Plaats de nieuwe batterijen in de batterij behuizing.
6. Sluit alle draden van de batterijen terug aan.
7. Plaats het batterij deksel ① terug met de bouten ②.

3.6 Banden wisselen

⚠ VOORZICHTIG: Laat voor demontage van de velgen altijd eerst de lucht uit de band!

⚠ VOORZICHTIG: Kans op schade – Bij verkeerd gebruik kan de velg worden beschadigd.

Een correcte montage kan alleen worden gegarandeerd in de vakhandel. Bij werkzaamheden die niet zijn uitgevoerd door de vakhandel, vervalt de garantie.

Gebruik voor het oppompen uitsluitend geschikte pompen met een afleesschaal in bar. Op pompen en wielen die niet door de fabrikant zijn geleverd, geven wij geen garantie.

⚠ WAARSCHUWING: Gevaar voor letsel – Controleer dat de vuldruk correct is.

⚠ VOORZICHTIG: Gevaar voor letsel – Let erop dat bij de montage geen voorwerpen of lichaamsdelen tussen de band en de velgrand gekneld raken.

- **Stuurwielen (Voorwielen)**

Verwijder de band van de velg:

1. Laat alle lucht uit de binnenband.
2. Schuif een bandenlichter tussen de buitenband en de velg.
3. Duw de bandenlichter langzaam en voorzichtig naar beneden. Daardoor wordt de buitenband over de velgrand getrokken.
4. Beweeg de bandenlichter langs de rand van de velg, de buitenband springt uit de velg.
5. Neem de buitenband en binnenband nu voorzichtig van de velg weg.

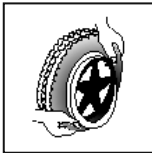
Voor U een nieuwe band monteert, dient U rekening te houden met het volgende:

Controleer het velgbed en de binnenkant van de band op vreemde voorwerpen en reinig indien nodig. Controleer de toestand van het velgbed, vooral in de buurt van de ventielopening. Gebruik alleen originele wisselstukken. De garantie geldt niet voor schade die wordt veroorzaakt door niet originele wisselstukken. Neem contact op met de vakhandelaar.

Montage van de band rond de velg:



Leg de binnenband zonder lucht rond de velg. Let erop dat het ventiel door de ventielopening van de velg steekt.



Neem de buitenband en druk deze beginnend achter het ventiel over de velgrand. Pomp de binnenband lichtjes op tot hij een ronde vorm aanneemt en leg deze in de band.



Wanneer de binnenband rondom zonder plooien in de buitenband ligt (als er plooien zijn: een beetje lucht aflaten), dan monteert U de bovenkant van de band te beginnen tegenover het ventiel voorzichtig met beide handen op het ventiel.

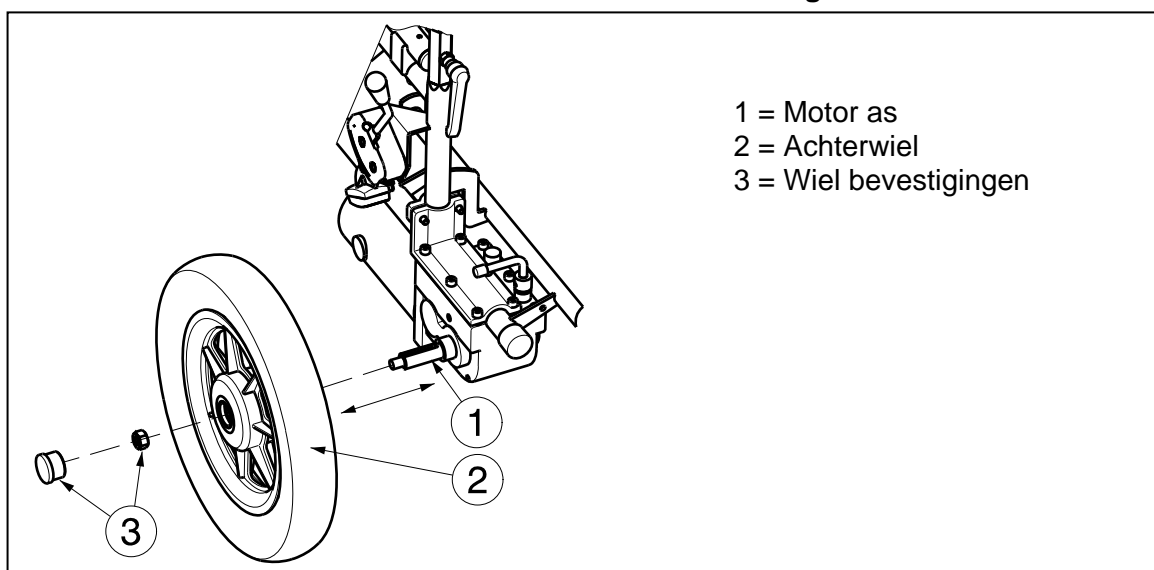
Controleer rondom en aan beide zijden of de binnenband niet tussen de bandhiel en velg is geklemd. Schuif het ventiel lichtjes terug en trek het weer uit zodat de band goed is gepositioneerd in de buurt van het ventiel.

Om de band correct op te pompen pompt U eerst lucht tot de band nog goed met de duim kan worden ingedrukt. Wanneer de controlelijn aan weerszijden van de band dezelfde afstand tot de velgrand aangeeft, is de band correct gecentreerd. Wanneer dit niet het geval is, dient U de lucht weer af te laten en de band opnieuw uit te lijnen. Pomp de band nu op tot de maximale bedrijfsdruk (let op de vuldruk!) en draai de kap op het ventiel.

Let bij het oppompen van de banden steeds op de correcte vuldruk. Deze waarde kunt U aflezen op de band.

- **Aandrijfwielen (Achterwielen)**

⚠ WAARSCHUWING: Gevaar voor letsel – Voor gebruik van de elektrische rolstoel dient U te controleren of alle schroeven van de wielen goed vastzitten.



DEMONTAGE

1. Maak de wiel bevestigingen ③ los en verwijder ze.
2. Neem het volledige achterwiel ② van de motor as ①.

MONTAGE


1. Maak de schroefdraden en motor as vrij van vuil en vet de schroefdraden in.
2. Monteer het achterwiel aan de motor as, zodat de inkeping in het wiel op de motor as groef past.
3. Maak de wielen terug goed vast met behulp van de moer (wiel bevestigingen ③).

4 Onderhoud

Voor de onderhouds- en reinigingsinstructies verwijst U naar de aparte onderhoudshandleiding van de elektronische rolstoelen. Raadpleeg Uw vakhandelaar voor deze aparte handleiding.

5 Clusteromschrijvingen

De Express VB voldoet voor:

	Elektrisch Binnen / Beperkt buiten Duwen Instelbaar EDI / EDA	Duwwandelwagen bedoeld voor gebruik binnen / beperkt buiten. De rolstoel is uitgevoerd met elektrische aandrijving. De armsteunen en beensteunen zijn instelbaar. De armsteunen en beensteunen kunnen door de begeleider worden weggenomen voor een transfer. De rolstoel is verkleinbaar, zodat deze in de koffer van een auto kan worden meegenomen.
--	--	---



Inhalt

1	Produktbeschreibung	3
1.1	Verwendungszweck	3
1.2	Technische Daten.....	4
1.3	Bauteile	6
1.4	Zubehör.....	6
1.5	Zeichenerklärung	6
1.6	Sicherheitsanweisungen.....	7
2	Verwendung.....	8
2.1	EMV-Hinweise	8
2.2	Transportieren des Elektro-Rollstuhls	9
2.3	Zusammenbauen und Zerlegen des Elektrorollstuhls.....	10
2.4	Auf-/Zusammenklappen des Rollstuhls.....	10
2.5	An- oder Abbauen der Rückenlehne.....	11
2.6	An-/Abbauen der Batteriekästen	11
2.7	An- oder Abbauen der Armauflagen.....	12
2.8	An- oder Abbauen der Beinstützen.....	13
2.9	Betätigen der Feststellbremsen	13
2.10	Ein- und Aussteigen in den Rollstuhl	14
2.11	Richtige Sitzposition im Elektrorollstuhl	14
2.12	Fahren mit dem Elektro-Rollstuhl	14
2.13	Betätigen der elektromagnetischen Bremsen	15
2.14	Fahren des Elektro-Rollstuhls auf Treppen	18
2.15	Fahren des Elektro-Rollstuhls auf Rampen	18
2.16	Schieben des Rollstuhls	19
2.17	Transport in einem Auto	20
2.18	Transport im Flugzeug.....	20
2.19	Batterien.....	21
2.20	Ladegerät	21
2.21	Laden der Batterien	21
2.22	Thermosicherung	22
3	Zusammenbau und Einstellung	22
3.1	Werkzeuge	22
3.2	Lieferumfang	22
3.3	Mögliche Anpassungen.....	23
3.4	Batterieanschlüsse	25
3.5	Wechsel der Batterien	25
3.6	Reifenwechsel.....	26
4	Wartung	27



Vorwort

Zuerst möchten wir uns für das Vertrauen bedanken, das Sie in uns gesetzt haben, indem Sie sich für eines unserer Produkte entschieden haben.

Die zu erwartende Lebensdauer des Elektrorollstuhls hängt stark von der Wartung und Pflege ab, die für den Rollstuhl aufgewendet wird.

Diese Bedienungsanleitung soll Ihnen helfen, sich mit der Benutzung des Elektrorollstuhls vertraut zu machen.

Das Befolgen der Bedienungsanleitung und der Wartungshinweise bildet einen wesentlichen Teil der Garantiebedingungen.

Diese Bedienungsanleitung spiegelt die neuesten Produktentwicklungen wider. Das Unternehmen Vermeiren behält sich jedoch das Recht vor, Änderungen vorzunehmen. Dabei besteht keine Verpflichtung, die früher ausgelieferten Modelle anzupassen oder zu ersetzen.

Sollten Sie weitere Fragen haben, so wenden Sie sich bitte an Ihren Fachhändler.



1 Produktbeschreibung

1.1 Verwendungszweck

Der Elektro-Rollstuhl Express VB ist mit zwei Motoren von jeweils 150 Watt Leistung ausgestattet.

Der Elektro-Rollstuhl Express VB ist für den bequemen Transport von gehbehinderten oder gehunfähigen Personen vorgesehen. In dem Elektro-Rollstuhl kann eine Person transportiert werden.

In dem Elektro-Rollstuhl dürfen nur Personen transportiert werden. Er ist nicht für den Transport von Gegenständen ausgelegt.

Ebenso ausgeschlossen ist die Nutzung für Personen, die durch deutliche körperliche oder mentale Einschränkungen nicht in der Lage sind, den Elektro-Rollstuhl sicher im Straßenverkehr zu handhaben.

Die Vielfalt an Ausstattungs- und Zubehörvarianten sowie die modulare Bauweise erlauben den Transport eines Menschen bei Gehbehinderung/Gehunfähigkeit aufgrund von:

- Lähmungen
- Gliedmaßenverlust (Beinamputation)
- Gliedmaßendefekt oder -deformation
- Gelenkkontrakturen oder -schäden
- Herzkrankheiten oder schwachem Blutkreislauf
- Gleichgewichtsstörungen
- Kachexie (Muskelschwund)

Der Elektrorollstuhl soll nicht von Personen genutzt werden, deren Zustand dazu führt, dass sie aus dem Rollstuhl fallen. Nutzen Sie für diese Personen Sicherungsurte und/oder andere Sicherungssysteme.

Der Elektrorollstuhl wird als Gerät der Klasse A klassifiziert.

Der Elektro-Rollstuhl ist für den Einsatz im Innenbereich und mit Einschränkungen in Außenbereichen geeignet.

Der Rollstuhlfahrer kann den Rollstuhl entweder selbst antreiben oder von einer Begleitperson an den Handgriffen geschoben werden.

Bei der individuellen Versorgung sind außerdem:

- Körpergröße und -gewicht (max. 90 kg)
- Körperlicher und geistiger Zustand
- Wohnverhältnisse
- Umgebung

zu beachten.

Ihr Elektro-Rollstuhl darf nur auf Flächen verwendet werden, auf denen alle vier Räder den Boden berühren und ausreichend Kontakt vorhanden ist, um die Räder sicher anzutreiben.

Die Verwendung des Elektrorollstuhl auf unebenen Flächen (Pflastersteinen usw.), Abhängen, Kurven sowie das Umfahren von Hindernissen (Bordsteinen usw.) muss geübt werden. Das Befahren von Oberflächen wie Eis, Rasen, Geröll, Laub usw. birgt weitere potenzielle Gefahren.

Der Elektrorollstuhl darf nicht als Leiter oder als Transportmittel für schwere oder heiße Objekte verwendet werden.

Wenn Sie den Elektrorollstuhl auf Straßen und Fußwegen fahren, gelten die örtlichen Vorschriften.

Der Elektrorollstuhl kann auf Gehwegen und Straßen innerhalb von Ortschaften gefahren werden. Das Fahren auf Bundesstraßen und Autobahnen mit dem Elektrorollstuhl ist in jedem Fall untersagt.

Verwenden Sie ausschließlich von Vermeiren genehmigtes Zubehör.

Für Schäden durch nicht oder mangelhaft durchgeführte Wartung oder durch Nichtbeachtung der folgenden Anweisungen übernimmt der Hersteller keine Haftung.

Sehbehinderte können sich zur Erläuterung der Bedienungsanleitung an den Händler wenden.

1.2 Technische Daten

Die im Folgenden aufgeführten technischen Daten gelten für einen Elektrorollstuhl in der Standardkonfiguration und bei optimalen Umgebungsbedingungen. Wenn Zubehör verwendet wird, gelten andere Werte als die in der Tabelle angegebenen. Bei Schwankungen der Außentemperatur, Luftfeuchtigkeit, Steigungen, Gefällen, bestimmten Untergründen und Batteriezuständen können die Leistungsparameter eingeschränkt sein.

Produktname	Vermeiren				
Adresse	Vermeirenplein 1/15, B-2920 Kalmthout				
Typ	Elektro-Rollstuhl, Klasse A				
Modell	Express VB				
Max. zulässiges Gewicht des Rollstuhlfahrers	90 kg				
Beschreibung	Abmessungen				
Effektive Sitzbreite	390 mm	420 mm	440 mm	460 mm	500 mm
Gesamtbreite (abhängig von der Sitzbreite)	580 mm	610 mm	630 mm	650 mm	690 mm
Beschreibung	Minimale Abmessungen		Maximale Abmessungen		
Höchstgeschwindigkeit	6 km/h				
Reichweite bei ununterbrochener Fahrt*	CA. 18 km (Batterie 38 Ah) CA. 25 km (Batterie 50 Ah)				
Gesamtlänge mit Fußstütze	950 mm				
Gesamthöhe (inkl. Rückenlehne)	960 mm				
Länge zusammengeklappt/zerlegt (ohne Fußstützen, Batteriefach)	790 mm				
Breite zusammengeklappt/zerlegt (zusammengeklappter Rollstuhl)	400 mm				
Höhe zusammengeklappt/zerlegt (heruntergeklappte Rückenlehne, ohne Armauflagen)	710 mm (bei einer Sitzbreite von 460 mm, abhängig von Sitzbreite)				
Gesamtgewicht	67 kg oder mehr (bei einer Sitzbreite von 390 mm; abhängig von Sitzbreite and Zubehör)				
Gewicht schwersten Teils (das abgebaut oder entfernt werden kann)	Rahmen, Armauflage + Joystick, Sitzpolster, Rückenpolster: ab 29,95 kg				
Gewicht der Teile, die abgebaut oder entfernt werden können	Armauflage ohne Joystick: 1,60 kg; Fußstützen: 1,85 kg; Batteriefach: 15,90 kg / Stück; Batterie: 13,5 kg / Stück; Rückenlehne: 1,80 kg				
Statische Stabilität bergab	7,5°				
Statische Stabilität bergauf	12°				
Statische Stabilität seitwärts	10°				
Maximale, sichere Steigung	7°				



Produktname	Vermeiren	
Adresse	Vermeirenplein 1/15, B-2920 Kalmthout	
Typ	Elektro-Rollstuhl, Klasse A	
Modell	Express VB	
Max. zulässiges Gewicht des Rollstuhlfahrers	90 kg	
Beschreibung	Minimale Abmessungen	Maximale Abmessungen
Überfahren von Hindernissen	15 mm	
Bodenfreiheit	30 mm	
Winkel der Sitzebene	5°	
Effektive Sitztiefe	430 mm	
Dicke des Sitzkissens	40 mm	
Höhe der Sitzoberfläche an der Vorderkante (mit Sitzkissen)	540 mm	
Rückenlehnenwinkel	5°	
Rückenlehnenhöhe	430 mm	
Abstand zwischen Fußplatte und Sitz	400 mm	520 mm
Winkel zwischen Fußauflage und Fußplatte	80 °	100 °
Winkel zwischen Sitz und Fußauflage	105°	
Winkel zwischen Sitz und Fußplatte	5°	25°
Abstand zwischen Armauflage und Sitz	225 mm	315 mm
Vordere Lage der Armauflage	400 mm	
Antriebsmotoren	2 x 150 W + Elektromagnetisches Bremssystem	
Batterien	2 x 12V --- AGM / 38 Ah oder 50 Ah / 20 h	
Ladegerät	Siehe zusätzliche Gebrauchsanweisung des Ladegerätes (Nutzen Sie lediglich das zu Ihrem Rollstuhl gelieferte Ladegerät)	
Thermosicherung	30 AMP	
Bediensystem	Siehe zusätzliche Gebrauchsanweisung für die elektronische Steuereinheit	
Kleinsten Wenderadius	CA. 1400 mm	
Breite Reversieren	Nicht zutreffend	
Durchmesser der Hinterräder (Anzahl)	12 1/2 x 2 1/4" luft (2)	
Reifenfülldruck, Hinterräder **	max. 2,5 bar	
Durchmesser der Vorderräder (Anzahl)	8 x 1 3/4 mm luft (2)	
Reifenfülldruck, Vorderräder **	max. 2,5 bar	
Schalldruck	< 65 dB(A)	
Temperaturbereich für Lagerung und Nutzung	-20 °C bis +40 °C	
Betriebstemperatur Elektronik	-10 °C bis +40°C	
Luftfeuchtigkeitsbereich für Lagerung und Nutzung	30%	70%
Technische Änderungen vorbehalten. Maßtoleranz ± 15 mm / 1,5 kg / ° .		
* Die theoretische Fahrtstrecke verringert sich, wenn der Rollstuhl häufig an Hanglagen, in unebenem Gelände oder an Bordsteinkanten verwendet wird.		
** Da unterschiedliche Bereifungen möglich sind, achten Sie bitte auf die Fülldruckangaben der Reifen. Sie sich für abweichende Reifendurchmesser an Ihren Fachhändler.		

Tabelle 1: Technische Daten

Der Rollstuhl entspricht den Anforderungen der folgenden Normen:

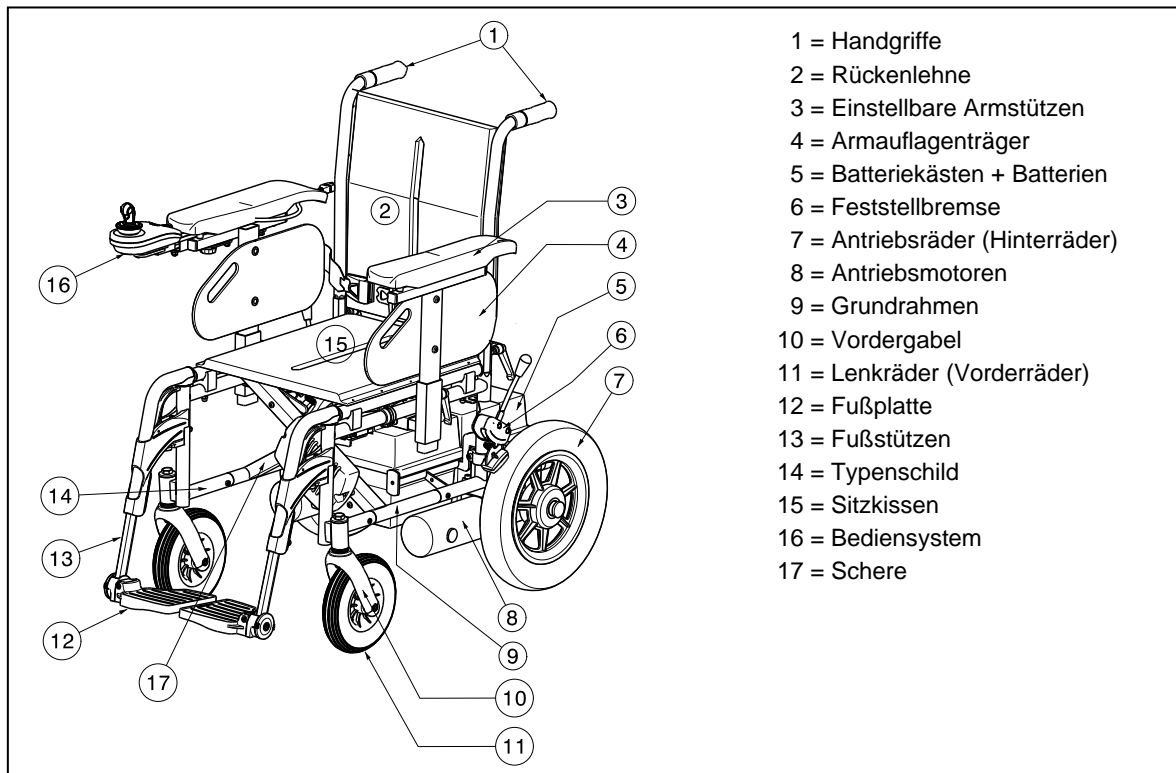
ISO 7176-8: Anforderungen und Prüfungen für statische Festigkeit, Stoßfestigkeit und Dauerfestigkeit.

ISO 7176-14: Rollstühle - Teil 14: Antriebs- und Steuerungssysteme für Elektrorollstühle und Scooter - Anforderungen und Prüfung

EN 1021-1: Möbel – Bewertung der Entzündbarkeit von Polstermöbeln – Teil 1: Glimmende Zigarette als Zündquelle

EN 1021-2: Möbel – Bewertung der Entzündbarkeit von Polstermöbeln – Teil 2: Eine einem Streichholz vergleichbare Gasflamme als Zündquelle

1.3 Bauteile



1.4 Zubehör

Für den Elektro-Rollstuhl Express VB ist das folgende Zubehör erhältlich:

- Rückenlehnenneigung (SE52)
- Geformte Rückenlehne und Sitz (L24/L25)

1.5 Zeichenerklärung



Max. zulässiges Gewicht



Innen- und (begrenzte) Außenbereich



Verwendung in Innenbereichen (Batterieladegerät)










Getrennte Sammlung und Recycling von Elektro- und Elektronikgeräten (Batterieladegerät)


















Schutzklasse II



Maximale, sichere Steigung

-  CE-Konformität
-  Höchstgeschwindigkeit
km/h
-  Position: Parkbremse aktiviert (Elektrofahrbetrieb möglich)
-  Position: Parkbremse deaktiviert (Freilauf und Schiebebetrieb möglich, kein Elektrofahrbetrieb)
-  Achtung bei Freilauf auf Gefällen und Steigungen
-  Nicht als Sitz in einem Kraftfahrzeug zu verwenden
-  Typenbezeichnung

1.6 Sicherheitsanweisungen

-  Achten Sie darauf, dass keine Gegenstände und/oder Körperteile in die Speichen der Laufräder hineinragen, da sonst Verletzungen und/oder Beschädigungen an Ihrem Rollstuhl auftreten können.
-  Halten Sie die Anweisungen zur Verwendung des Rollstuhls ein. Vermeiden Sie beispielsweise, ungebremst gegen Hindernisse (Stufe, Bordsteinkante) zu fahren und Stufen/Absätze herunterzufahren.
-  Steigen Sie beim Ein-/Aussteigen in den/aus dem Rollstuhl nicht auf die Fußplatten. Die Fußplatte muss zuvor nach oben geklappt werden.
-  Prüfen Sie die Auswirkungen von Schwerpunktverlagerungen auf das Verhalten des Rollstuhls, zum Beispiel auf Gefällstrecken, Steigungen, seitlichen Neigungen oder beim Überwinden von Hindernissen. Nutzen Sie die Unterstützung durch eine Begleitperson.
-  Achten Sie beim Aufheben von Gegenständen (die vor, neben oder hinter dem Rollstuhl liegen) darauf, dass Sie sich nicht zu weit herauslehnen, da durch Schwerpunktverlagerung eine Kippgefahr besteht.
-  Achten Sie beim Fahren durch Türen, Durchgänge usw. darauf, dass seitlich ausreichend Platz vorhanden ist, damit Sie sich Hände oder Arme nicht einklemmen und der Rollstuhl nicht beschädigt wird.
-  Vermeiden Sie unkontrolliertes Rollen gegen Hindernisse (Stufen, Bordsteine, Türrahmen usw.) oder Hinabfahren von Sims. Der Hersteller übernimmt keine Garantie für Beschädigungen aufgrund von Überlastung, Kollision oder sonstiger nicht bestimmungsgemäßer Verwendung.
-  Beim Fahren an öffentlichen Orten müssen Sie die Straßenverkehrsordnung beachten.
-  Die Einnahme von Medikamenten oder Alkohol reduziert Ihre Fahrfähigkeiten.
-  Stellen Sie Ihr Fahrverhalten bei Fahrten außerhalb der Wohnung auf die gegebenen Witterungs- und Straßenverhältnisse ein.
-  Verwenden Sie den Elektrorollstuhl nicht bei Regen.
-  Vermeiden Sie, den Elektro-Rollstuhl an Gefällen in die Freilaufposition zu stellen.
-  Fahren Sie eine Steigung auf keinen Fall rückwärts hinauf.
-  Verringern Sie bei Kurvenfahrten die Geschwindigkeit.
-  Um bei Fahrten in der Dunkelheit gut sichtbar zu sein, sollten Sie möglichst helle Kleidung oder Kleidung mit Reflektoren tragen und sicherstellen, dass die Reflektoren am Rollstuhl gut sichtbar sind und die Beleuchtung während der Fahrt eingeschaltet ist.

- ⚠ Achten Sie darauf, dass die Beleuchtung und die Reflektoren am Elektrorollstuhl nicht durch Verschmutzung und/oder Gegenstände abgedeckt werden.
- ⚠ Der Rollstuhl darf für den Transport nicht an beweglichen Teilen (Räder, Armauflagen, Fußstützen usw.) angehoben werden.
- ⚠ Wenn der Elektrorollstuhl transportiert oder getragen wird, darf niemand darin sitzen.
- ⚠ Das Mitfahren von zusätzlichen Personen ist untersagt.
- ⚠ Beim Parken oder Abstellen des Elektrorollstuhls im Freien ist eine Abdeckhaube zu verwenden, die vor Feuchtigkeit schützt.
- ⚠ Bei sehr hoher Luftfeuchtigkeit oder Kälte kann es zu Leistungseinschränkungen des Elektrorollstuhls kommen.
- ⚠ Der Elektrorollstuhl darf nicht als Sitzplatz in einem PKW oder einem anderen Fahrzeug verwendet werden.
- ⚠ Überschreiten Sie auf keinen Fall die maximal zulässige Beladung von 90 kg.
- ⚠ Verwenden Sie ausschließlich von Vermeiren zugelassenes Zubehör.
- ⚠ Stellen Sie den Elektro-Rollstuhl über die Ein/Aus-Taste aus, bevor Sie in den Rollstuhl ein- oder aussteigen, den Rollstuhl zerlegen oder transportieren.
- ⚠ Achten Sie auf eine ausreichende Profiltiefe der Bereifung.
- ⚠ Wenn der Elektrorollstuhl mit Luftreifen ausgestattet ist, achten Sie darauf, dass diese den richtigen Reifendruck aufweisen (*siehe die Reifendruckangaben auf den Reifen*).
- ⚠ Treppen dürfen nur mit der Hilfe einer Begleitperson überwunden werden. Sind Einrichtungen, wie Auffahrampen, Aufzüge o.ä. vorhanden, sind diese zu nutzen.
- ⚠ Bei plötzlichem Anhalten besteht Verletzungsgefahr. Verwenden Sie daher immer den Personenrückhaltegurt.
- ⚠ Nutzen Sie Sicherheitsgurte und/oder andere Sicherungssystem für Personen, die durch unkontrollierte Bewegungen den Rollstuhl zum Umkippen bringen können.

2 Verwendung

In diesem Kapitel wird die tägliche Verwendung beschrieben. **Diese Anweisungen richten sich an den Benutzer und den Fachhändler.**

Um einen Fachhändler in Ihrer Nähe zu finden, stehen Ihnen unsere Niederlassungen gerne zur Verfügung. Eine Auflistung aller Vermeiren Niederlassungen finden Sie auf der letzten Seite dieser Gebrauchsanweisung.

Der Elektro-Rollstuhl wird Ihnen vollständig aufgebaut von Ihrem Fachhändler geliefert. Anweisungen für den Fachhändler zu Zusammenbau und Einstellung des Elektro-Rollstuhls sind in Abschnitt 3 enthalten.

2.1 EMV-Hinweise

Der Elektrorollstuhl wurde gemäß EN 61000-4-3 und EN 61000-4-2 auf elektromagnetische Verträglichkeit geprüft.

In diesem Zusammenhang möchten wir darauf hinweisen, dass elektromagnetische Wellen Interferenzen erzeugen können. Auch die Elektronik des Rollstuhls könnte Störungen bei anderen Elektrogeräten hervorrufen.

Um die Wirkung von elektromagnetischen Störquellen zu verringern, beachten Sie bitte folgende Warnhinweise:

- ⚠ **WARNUNG: Der Rollstuhl kann bei Geräten in seiner Umgebung, die elektromagnetische Strahlung abgeben, Störungen hervorrufen.**
- ⚠ **WARNUNG: Die Fahrleistung des Rollstuhls kann durch elektromagnetische Felder (z. B. durch Stromgeneratoren oder Starkstromquellen) beeinträchtigt werden.**



- ⚠ **WARNUNG: Benutzen Sie keine tragbaren Fernseh- oder Radiogeräte in unmittelbarer Nähe des Rollstuhls, solange dieser eingeschaltet ist.**
- ⚠ **WARNUNG: Benutzen Sie keine Sender und Empfänger in unmittelbarer Nähe des Rollstuhls, solange dieser eingeschaltet ist.**
- ⚠ **WARNUNG: Achten Sie in Ihrer Umgebung auf Sendemasten und vermeiden Sie den Betrieb des Rollstuhls in deren Nähe.**
- ⚠ **WARNUNG: Bei ungewollten Fahrtbewegungen oder Bremsvorgängen schalten Sie den Rollstuhl aus, sobald dies sicher durchgeführt werden kann.**

Durch den Einfluss elektromagnetischer Störfelder in der Umgebung kann es an der Elektronik des Rollstuhls zu Beeinträchtigungen kommen. Mögliche Folgen sind:

- Lösen der Motorbremse
- Unkontrollierbares Verhalten des Rollstuhls
- Ungewollte Lenkbewegungen

Bei sehr starken oder dauerhaften Störfeldern kann die Elektronik sogar vollständig versagen und dauerhafte Schäden davontragen.

Mögliche Strahlungsquellen sind:

- Tragbare Sende- und Empfangsinstallationen (Sender und Empfänger mit Antenne)
 - Funksprechgeräte
 - Tragbare Fernseh-, Radio- und Navigationsgeräte
 - Andere Sendegeräte für den privaten Gebrauch
- Mobile Sende- und Empfangsinstallationen mit mittlerer Reichweite (z. B. Autoantennen)
 - Funksprechgeräte (fest installiert)
 - Mobil-Freisprecheinrichtungen (fest installiert)
 - Radio-, Fernseh- und Navigationssysteme (fest installiert)
- Sende- und Empfangsinstallationen mit großer Reichweite
 - Radio- und Fernsehtürme
 - Funkamateuranlagen
- Andere Geräte im häuslichen Bereich
 - CD-Player
 - Notebook
 - Mikrowelle
 - Kassettenrekorder
 - usw.

Elektrogeräte wie Rasierapparate und Haartrockner haben keine Auswirkungen, vorausgesetzt, sie funktionieren einwandfrei und ihre Verkabelung ist in hervorragendem Zustand. Lesen und beachten Sie bitte die Bedienungsanleitung zu den Elektrogeräten, um den störungsfreien Betrieb des Rollstuhls sicherzustellen.

2.2 Transportieren des Elektro-Rollstuhls

Am besten lässt sich der Elektro-Rollstuhl transportieren, indem der Freilaufmodus der Räder verwendet wird. Versetzen Sie den Rollstuhl in den Freilaufmodus und schieben Sie den Rollstuhl mit den Handgriffen an den gewünschten Ort.

Wenn der Rollstuhl Treppen hinauf oder hinunter transportiert werden muss, verwenden Sie Rollstuhl-Rampen oder Hebesysteme. Für den Transport des Rollstuhls über Stufen/Treppen müssen immer mindestens zwei Personen eingesetzt werden.

Eine weitere Möglichkeit, den Elektro-Rollstuhl zu tragen besteht darin, den Rollstuhl zu zerlegen. Tragen Sie in diesem Fall die einzelnen Teile (Rahmen, Armauflagen, Fußstützen,

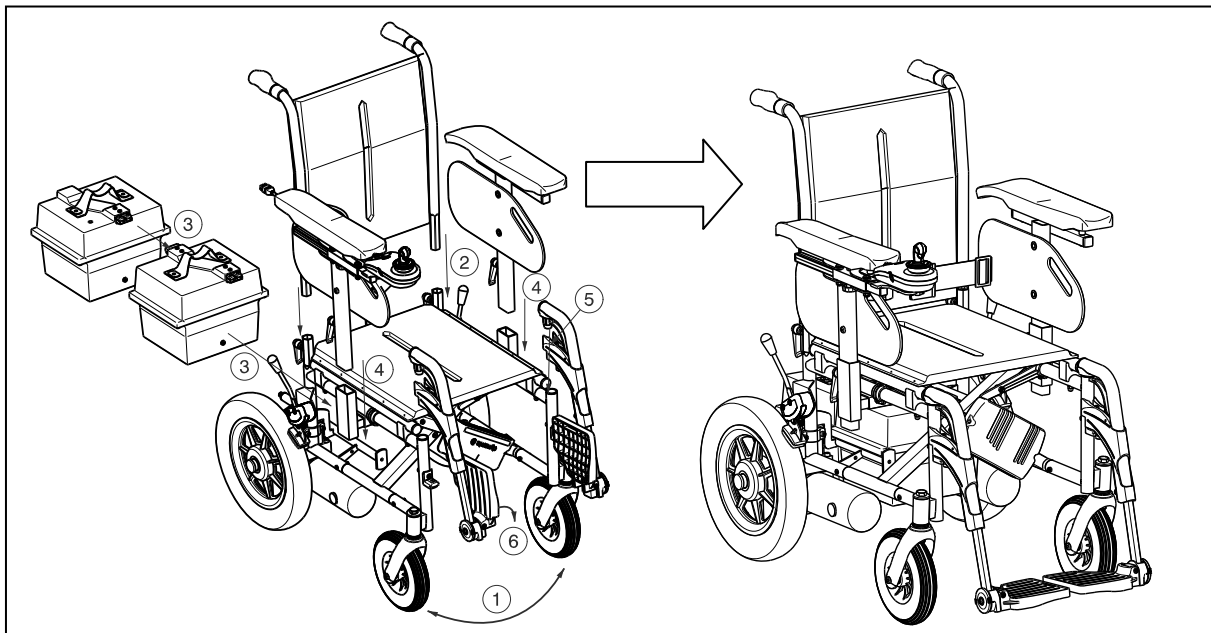
Batteriekästen, Rücken) an den gewünschten Ort. Heben Sie den Rollstuhl nur an festen Rahmenteilen an (und niemals an Armauflagen, Fußstützen oder Rädern).

2.3 Zusammenbauen und Zerlegen des Elektrorollstuhls

Der Elektrorollstuhl wird vollständig aufgebaut ausgeliefert. Der Händler liefert den Rollstuhl vollständig fahrbereit und erläutert die verschiedenen Bedienelemente und ihre Funktion. Aus Sicherheitsgründen finden Sie im Folgenden eine weitere ausführliche Erläuterung der verschiedenen Teile.

2.3.1 Zusammenbau des Elektro-Rollstuhls

VORSICHT: Klemmgefahr – Stellen Sie sicher, dass keine Kabel gequetscht oder eingeklemmt werden.



So bauen Sie den Elektro-Rollstuhl zusammen:

1. Klappen Sie den Rollstuhl auf (siehe Abschnitt 2.4).
2. Befestigen Sie die Rückenlehne (siehe Abschnitt 2.5).
3. Platzieren Sie die Batteriekästen (siehe Abschnitt 2.6).
4. Bauen Sie die Armauflagen an (siehe Abschnitt 2.7).
5. Bauen Sie die Beinstützen an (siehe Abschnitt 2.8).
6. Klappen Sie die Platten der Fußstützen nach unten.

Zum Zerlegen des Elektro-Rollstuhls führen Sie die Anweisungen oben in umgekehrter Reihenfolge aus.

2.4 Auf-/Zusammenklappen des Rollstuhls

⚠ VORSICHT: Klemmgefahr – Halten Sie Finger, Schnallen und Kleidungsstücke in sicherer Entfernung von beweglichen Teilen des Rollstuhls (z. B. Schere usw.).

So klappen Sie den Rollstuhl auf:

1. Stellen Sie sich auf die Rückseite des Rollstuhls.
2. Nutzen Sie die Schiebegriffe, um den Rollstuhl so weit wie möglich zu öffnen.
3. Stellen Sie sich auf die Vorderseite des Rollstuhls.
4. Drücken Sie die beiden Holme, an denen der Sitz befestigt ist, weiter nach unten.
5. Platzieren Sie die Batteriekästen auf den Führungsschienen.

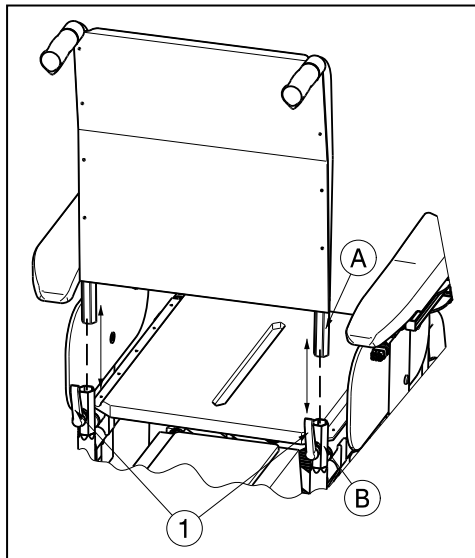
Zusammenklappen des Rollstuhls:

1. Entnehmen Sie die Batteriekästen.
2. Klappen Sie die Fußplatten ein oder bauen Sie sie ab (siehe § 2.8).
3. Fassen Sie den Sitz an der Vorder- und Hinterseite an, und ziehen Sie ihn nach oben.

2.5 An- oder Abbauen der Rückenlehne

- ⚠ WARNUNG:** Verletzungsgefahr – Stellen Sie sicher, dass beide Sicherungshebel ① festgestellt sind.
- ⚠ VORSICHT:** Quetschgefahr – Achten Sie darauf, dass sich keine Finger zwischen den Rückenrohren des Rollstuhls befinden.

Für den Transport kann die Rückenlehne des Rollstuhls vollständig abgebaut und auf der Sitzfläche abgelegt werden.



So montieren Sie die Rückenlehne am Elektro-Rollstuhl:

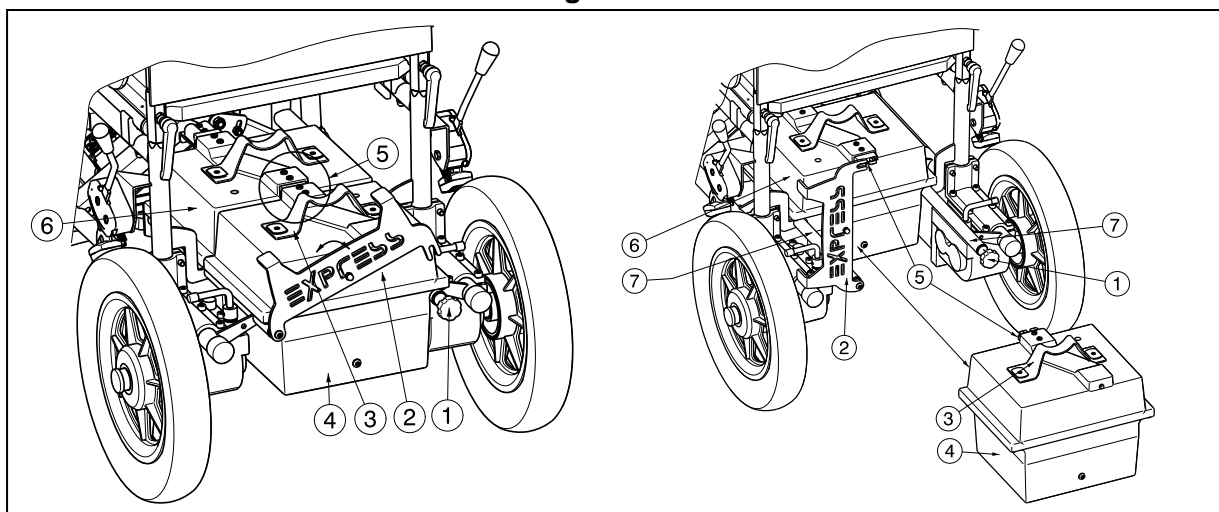
1. Stellen Sie sicher, dass die Hebel ① nicht festgestellt sind. Lösen Sie andernfalls die Hebel ①.
2. Stecken Sie die Rückenrohre A in die sechseckigen Rahmenrohre B.
3. Ziehen Sie die Hebel ① wieder sicher fest.

So bauen Sie die Rückenlehne vom Rollstuhl ab:

1. Drehen Sie die Hebel ①, bis diese sich lösen.
2. Nehmen Sie die Rückenrohre A aus den sechseckigen Rahmenrohren B heraus.
3. Legen Sie die Rückenlehne für den Transport auf die Sitzfläche.

2.6 An-/Abbauen der Batteriekästen

- ⚠ VORSICHT:** Quetschgefahr – Achten Sie darauf, dass sich keine Finger zwischen dem Batteriefaches und den Führungsschienen des Rollstuhls befinden.



So montieren Sie die Batteriekästen am Elektro-Rollstuhl:

1. Greifen Sie den Batteriekasten ohne thermische Sicherung ⑤ am Griff ③.
2. Setzen Sie den Batteriekasten ⑤ auf die seitlichen Schienen ⑥ zwischen den Motoren.
3. Scheiben Sie den Batteriekasten ⑤ so weit es geht unter den Sitz.
4. Überprüfen Sie, dass die Anschlüsse des Batteriekasten und des Anschlusses vom Power-Modul ineinander gesteckt sind.

5. Greifen Sie den Batteriekasten mit thermischer Sicherung ④ am Griff ③.
6. Setzen Sie den Batteriekasten ④ auf die seitlichen Schienen ⑥ zwischen den Motoren.
7. Schieben Sie den Batteriekasten ④ unter den Sitz des Rollstuhls, bis die Kontaktsstecker beider Batteriekästen miteinander verbunden sind.
8. Prüfen Sie, dass beide Stecker der Batteriekästen ⑤ miteinander verbunden sind.
9. Drücken Sie den Riegel ② nach unten, bis dieser am Endstück der Schiene aufliegt.
10. Ziehen Sie das Sternrad ① fest.

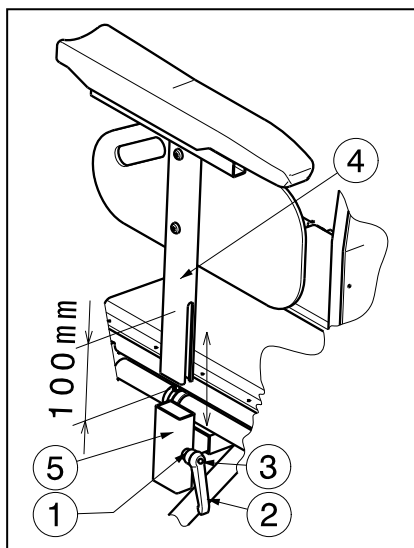
So bauen Sie die Batteriekästen vom Elektro-Rollstuhl ab:

1. Lösen Sie das Sternrad ①.
2. Ziehen Sie den Riegel ② seitlich nach links oben.
3. Greifen Sie den Griff ③ des Batteriekastens ④ (mit der thermischen Sicherung).
4. Ziehen Sie den Batteriekasten nach hinten, bis die Steckverbindung ⑤ zwischen den Batteriekästen getrennt ist.
5. Ziehen Sie den Batteriekastens ④ nach hinten aus dem Rollstuhl.
6. Ziehen Sie nun auch den zweiten Batteriekasten ⑥ nach hinten aus dem Rollstuhl, bis sie Sie diesen anheben können.
7. Heben Sie Sie nun den Batteriekasten ⑥ aus dem Rollstuhl.

2.7 An- oder Abbauen der Armauflagen

- ⚠ **WARNUNG: Verletzungsgefahr und Beschädigungen – Stellen Sie sicher, dass die Hebel ① vor Verwendung des Rollstuhls festgestellt wurden.**
- ⚠ **WARNUNG: Gefahr des Umkippens – Überprüfen Sie, dass die Armstützen auf beiden Seiten auf gleicher Höhe sind.**
- ⚠ **VORSICHT: Klemmgefahr – Halten Sie Finger, Schnallen und Kleidungsstücke in sicherer Entfernung vom Befestigungsmechanismus der Armauflagen.**

Die Armauflagenträger lassen sich abnehmen, so dass der Patient zur Seite bewegt werden kann. Die Armauflagen können auch zu therapeutischen Zwecken abgenommen werden und um den Patienten aus dem Rollstuhl zu heben.



So montieren Sie die Armauflagen am Elektro-Rollstuhl:

1. Stecken Sie die Armauflage ④ in das Vierkantrohr ⑤.
2. Ziehen Sie den Hebel ① sicher fest. (Wenn der Hebelgriff ② ungünstig positioniert ist, drücken Sie auf den Knopf ③ am Hebel, um den Hebelgriff ② in eine geeignete Position zu bringen, in der keine Verletzungsgefahr für die Hände besteht.)

So nehmen Sie die Armauflagenträger vom Elektrorollstuhl ab:

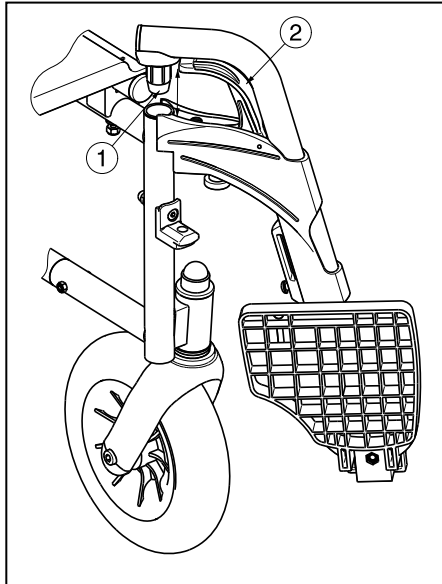
1. Drehen Sie den Hebel ①, bis er sich löst. (Wenn der Hebelgriff ② ungünstig positioniert ist, drücken Sie auf den Knopf ③ am Hebel, um den Hebelgriff ② in eine geeignete Position zu bringen, in der keine Verletzungsgefahr für die Hände besteht.)
2. Ziehen Sie den Armauflagenträger ④ aus dem Vierkantrohr ⑤.

Die Höhe der Armauflagen ist in einem Bereich von 90 mm (stufenlos) verstellbar. Achten Sie auf einen sicheren Abstand von 10 mm an der Unterseite der Armauflage.

1. Lösen Sie den Hebel ① etwas.
2. Verschieben Sie die Vierkantrohre ④ und ⑤ ineinander, bis die gewünschte Höhe eingestellt ist.
3. Ziehen Sie den Hebel ① wieder handfest an.
4. Stellen Sie sicher, dass der Hebel ① sicher festgestellt ist.
5. Stellen Sie entsprechend die andere Armauflage ein.

2.8 An- oder Abbauen der Beinstützen

⚠ VORSICHT: Verletzungsgefahr – Achten Sie darauf, dass die Beinstützen sicher befestigt sind.



Die Beinstützen werden wie folgt montiert:

1. Halten Sie die Fußauflage seitlich an die Außenseite des Rollstuhlrahmens und stecken Sie den Zapfen ① in den Rahmen.
2. Schwenken Sie die Fußauflage nach innen, bis sie in der Endposition einrastet.
3. Drücken Sie die Fußplatte nach unten.
4. Stellen Sie sicher, dass die Fußauflage sicher befestigt ist.

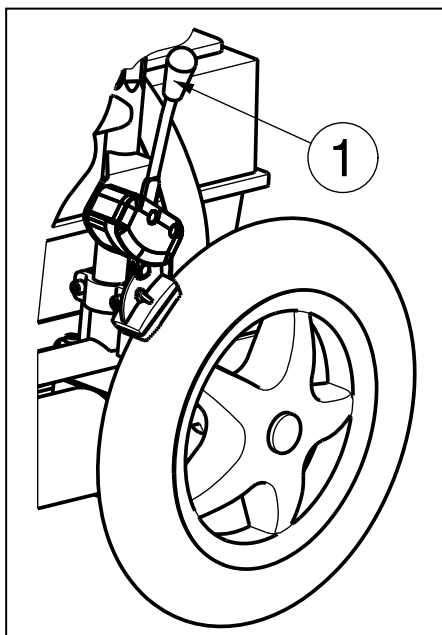
So bauen Sie die Beinstützen ab:

1. Ziehen Sie am Hebel ②.
2. Schwenken Sie die Fußauflage an die Außenseite des Rollstuhls, bis sie sich aus der Führung löst.
3. Ziehen Sie die Fußauflage mit dem Zapfen aus dem Rahmen ①.

2.9 Betätigen der Feststellbremsen

Der Elektro-Rollstuhl ist an jedem Antriebsrad mit standardmäßigen Feststellbremsen ausgestattet.

- ⚠ WARNUNG:** Die Bremsen dienen nicht dazu, die Bewegung des Rollstuhls abzubremesen – sie dienen ausschließlich dazu, unbeabsichtigte Bewegungen des Rollstuhls zu verhindern.
- ⚠ WARNUNG:** Die ordnungsgemäße Funktion der Bremsen kann durch Verschleiß oder Schmutz (auch Wasser, Öl, Schlamm usw.) beeinträchtigt werden. Überprüfen Sie daher vor jeder Rollstuhlnutzung den Zustand der Reifen.
- ⚠ WARNUNG:** Die Bremsen sind einstellbar und können verschleifen. Überprüfen Sie daher vor jeder Rollstuhlnutzung den Zustand der Bremsen.



So betätigen Sie die Bremsen:

1. Drücken Sie die Bremshebel ① nach vorn, bis sie ein deutliches Klicken fühlen.

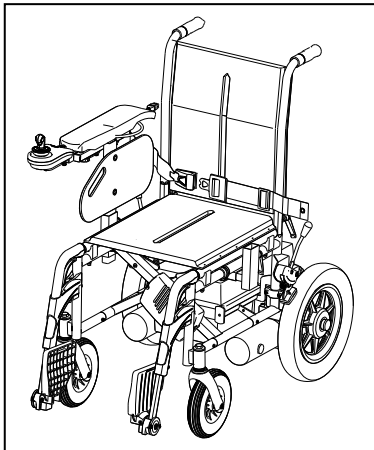
⚠ VORSICHT: Gefahr einer unbeabsichtigten Bewegung. Achten Sie darauf, dass der Rollstuhl auf einer flachen, horizontalen Fläche steht, bevor Sie die Bremsen lösen. Lösen Sie niemals beide Bremsen gleichzeitig.

So lösen Sie die Bremsen:

1. Lösen Sie eine Bremse, indem Sie den Griff ① nach hinten ziehen.
2. Lösen Sie die zweite Bremse, indem Sie den Griff nach hinten ziehen.

2.10 Ein- und Aussteigen in den Rollstuhl

- ⚠ **WARNUNG:** Schalten Sie den Rollstuhl aus, bevor Sie in den Rollstuhl ein- oder aussteigen.
- ⚠ **VORSICHT:** Falls Sie sich nicht allein sicher in den Rollstuhl oder aus diesem heraus umsetzen können, bitten Sie jemanden um Hilfe.
- ⚠ **VORSICHT:** Verletzungsgefahr – Stützen Sie sich nicht auf den Joystick, die Fußstützen und Armauflagen.
- ⚠ **VORSICHT:** Kippgefahr des Rollstuhls – Stellen Sie sich nicht auf die Fußplatten.



1. Stellen Sie den Elektro-Rollstuhl so nah wie möglich an die Stelle, an der Sie ein- bzw. aussteigen möchten.
2. Stellen Sie sicher, dass die Bedieneinheit ausgeschaltet ist. Vergewissern Sie sich, dass der Rollstuhl nicht in den Freilaufmodus geschaltet ist.
3. Klappen Sie die Fußplatten nach oben, damit Sie sich nicht versehentlich darauf stellen.
4. Wenn der Transfer an der Seite den Rollstuhl erfolgen soll, können Sie den Armauflagenträger an dieser Seite abnehmen.
5. Setzen Sie sich in den Rollstuhl bzw. stehen Sie aus dem Rollstuhl auf.

2.11 Richtige Sitzposition im Elektrorollstuhl

Hier einige Empfehlungen für das bequeme Sitzen im Elektrorollstuhl:

1. Setzen Sie sich möglichst weit nach hinten, so dass der Rücken an der Rückenlehne anliegt.
2. Achten Sie darauf, dass Ihre Oberschenkel möglichst horizontal stehen. Gegebenenfalls müssen Sie die Länge der Fußstützen einstellen.

2.12 Fahren mit dem Elektro-Rollstuhl

- ⚠ **WARNUNG:** Verbrennungsgefahr: Seien Sie vorsichtig, wenn Sie den Rollstuhl nach längerem Fahren in heißer oder kalter Umgebung (direkte Sonne, extreme Kälte, usw.) berühren - die Oberflächen können die Umgebungstemperatur annehmen.
- ⚠ **WARNUNG:** Gefahr nicht sicherer Einstellungen – Fahren Sie ausschließlich wie in dieser Anleitung beschrieben.

2.12.1 Vorbereiten des Elektro-Rollstuhls für den Einsatz

Wenn Sie den Elektro-Rollstuhl das erste Mal benutzen, achten Sie darauf, dass der Rollstuhl auf einem ebenen Untergrund steht. Alle Räder müssen den Boden berühren.

1. Stellen Sie sicher, dass der Freilaufmodus und das Bediensystem ausgeschaltet sind.
2. Stellen Sie den Rollstuhl in eine für Sie am besten geeignete Position.
3. Positionieren Sie das Bediensystem an einem bequem erreichbaren Ort.
4. Setzen Sie sich auf den Sitz und stellen Sie sicher, dass beide Armstützen so eingestellt sind, dass Ihre Unterarme bequem gestützt werden.
5. Schalten Sie den Rollstuhl mit der Ein/Aus-Taste des Bediensystems ein.

Stellen Sie nun den Geschwindigkeitsregler an der Bedienersteuerung auf die niedrigste Geschwindigkeit. Der Elektrorollstuhl ist damit startbereit.

2.12.2 Nach dem Gebrauch

Bevor Sie aus dem Elektrorollstuhl aussteigen, vergewissern Sie sich, dass alle vier Räder den Boden berühren.

Drücken Sie die EIN/AUS-Taste an der Bedienersteuerung. Das Display an der Bedienersteuerung erlischt.

2.13 Betätigen der elektromagnetischen Bremsen

Lassen Sie den Joystick los, um den Elektro-Rollstuhl zu stoppen.

2.13.1 Abstellen des Elektrorollstuhls

Wenn der Elektrorollstuhl ausgeschaltet ist, kann kein Steuerungsbefehl zum Fahrsystem weitergeleitet werden. Parken Sie den Elektrorollstuhl immer an gut zugänglichen Stellen und auf ebenem Untergrund, so dass alle vier Räder den Boden berühren.

2.13.2 Bediensysteme

Die Bedienungsanleitungen für die Verwendung der Bediensysteme finden Sie in den separaten Benutzerhandbüchern der Bediensysteme, die mit Ihrem Rollstuhl ausgeliefert werden.

Änderungen an der Software dürfen nur durch Vermeiren vorgenommen werden. Wenden Sie sich bei allen Anforderungen für Softwareänderungen an Vermeiren.

2.13.3 Einstellen der Bedieneinheit

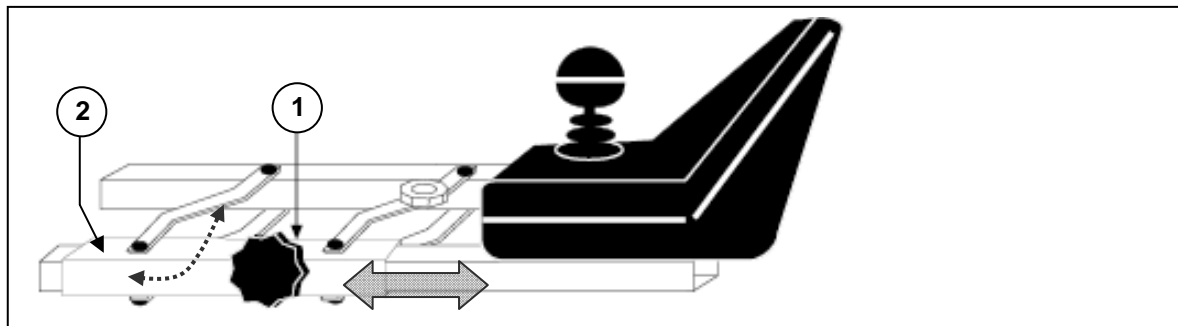
⚠ VORSICHT: Quetschgefahr – Achten Sie darauf, dass sich keine Finger zwischen der Bedieneinheit und den anderen Teilen befinden, wenn Sie die Einheit positionieren.

Die horizontale Position der Bedieneinheit kann geändert werden:

1. Lösen Sie die Schraube ① unter der Armstütze ein wenig.
2. Drehen Sie die Bedieneinheit in die gewünschte Position oder bauen Sie es ab.
3. Ziehen Sie die Schraube ① wieder fest.

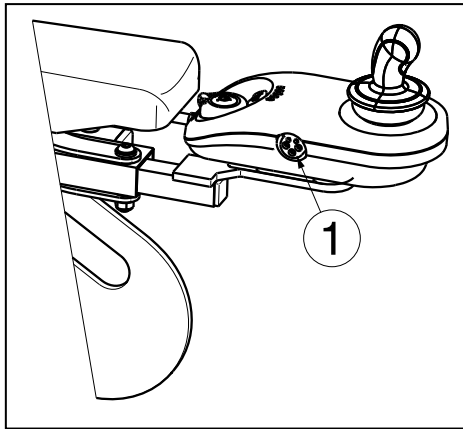
Wenn Sie die Schraube ① seitlich bewegen, können Sie die Bedieneinheit seitlich verschieben.

HINWEIS: Je nach Ausstattung des Rollstuhls kann sich die Schraube ① auch unter dem Führungsrohr ② befinden.



2.13.4 Anschlüsse für Ladegerät/Programmiereinheit

⚠️ WARNUNG: Verletzungsgefahr - Vergewissern Sie sich, dass die Stecker (Ladegerät und Programmierereinheit) nicht mehr angeschlossen sind, bevor Sie den Rollstuhl in Bewegung setzen.



Die Buchse ① zum Anschließen des mitgelieferten Ladegeräts befindet sich an der Vorderseite der Bedienersteuerung. Hier kann auch die Programmierereinheit angeschlossen werden. Diese sollte ausschließlich von autorisierten und entsprechend geschulten Personen (Vermeiren-Fachleuten) angeschlossen und bedient werden.

Achten Sie darauf, dass der Steuerhebel in der neutralen Mittelposition steht, wenn Sie die Ein-/Austaste betätigen, da sonst die Elektronik gesperrt wird. Sie können diese Sperre aufheben, indem Sie die Steuerung ausschalten und danach wieder einschalten.

2.13.5 Die erste Fahrt

⚠️ WARNUNG: Steuern Sie den Elektrorollstuhl - Machen Sie sich mit dem Fahrverhalten des Elektrorollstuhls vertraut.

- Fahren

Wenn Sie sich in den Elektrorollstuhl gesetzt und diesen wie oben beschrieben vorbereitet haben, nehmen Sie den Joystick in die Hand und drücken ihn in die gewünschte Fahrtrichtung. Das heißt:

NACH VORNE DRÜCKEN = VORWÄRTSFAHREN
NACH HINTEN DRÜCKEN = RÜCKWÄRTSFAHREN

- Anhalten

Zum Bremsen lassen Sie den Joystick los, damit dieser in die Ausgangsposition zurückspringt und den Elektrorollstuhl sanft abbremst und zum Halten bringt. Üben Sie das Anfahren und Anhalten, um sich an den Elektrorollstuhl zu gewöhnen. Sie müssen die Reaktionen des Elektrorollstuhls beim Fahren und Bremsen einschätzen können.

- Fahren an Straßenecken und Wegbiegungen

⚠️ WARNUNG: Kippgefahr - Verlangsamten Sie die Fahrt vor einer Kurve oder Ecke.

⚠️ WARNUNG: Einklemmgefahr - Halten Sie immer ausreichend seitlichen Abstand zu Ecken und Hindernissen.

Bewegen Sie den Joystick bei Kurvenfahrten in die gewünschte Richtung. Die Vorderräder schlagen nun ein und bestimmen die Richtung des Elektrorollstuhls. Achten Sie bei Kurvenfahrten immer darauf, dass ausreichend Platz für die Bewältigung der Kurve vorhanden ist. Schmale Durchfahrten sind so anzufahren, dass Sie diese – wenn möglich – vorher in einem größeren Bogen anfahren, damit die schmale Durchfahrt möglichst gerade befahren werden kann.

Fahren Sie an Straßenecken und Wegbiegungen nicht diagonal. Wenn Sie „Kurven schneiden“, besteht die Gefahr, dass Sie mit den Hinterrädern auf Hindernisse stoßen und den Elektro-Rollstuhl destabilisieren.



2.13.6 Rückwärtsfahren

- ⚠ **WARNUNG:** Steuern Sie den Elektrorollstuhl - Machen Sie sich mit dem Fahrverhalten des Elektrorollstuhls vertraut.
- ⚠ **WARNUNG:** Kontrollieren Sie die Geschwindigkeit - Fahren Sie immer in der niedrigsten Geschwindigkeit rückwärts.
- ⚠ **WARNUNG:** Kollisionsgefahr - Schauen Sie beim Rückwärtsfahren immer nach hinten.

Beim Rückwärtsfahren sind erhöhte Aufmerksamkeit und Vorsicht gefordert. Aus diesem Grund haben wir die Rückwärtsfahrtgeschwindigkeit im Vergleich zur Vorwärtsfahrtgeschwindigkeit deutlich reduziert. Dennoch empfehlen wir Ihnen, bei Rückwärtsfahrt nur eine minimale Geschwindigkeit zu wählen.

Bei Rückwärtsfahrt verhalten sich die Fahrtrichtungswechsel links und rechts umgekehrt.

2.13.7 Steigungen

- ⚠ **WARNUNG:** Steuern Sie den Elektrorollstuhl - Machen Sie sich mit dem Fahrverhalten des Elektrorollstuhls vertraut.
- ⚠ **WARNUNG:** Steuern Sie den Elektrorollstuhl - Schalten Sie den Elektrorollstuhl an einem Hang auf keinen Fall in den Leerlauf.
- ⚠ **WARNUNG:** Kontrollieren Sie die Geschwindigkeit – Fahren Sie an Gefällen so langsam wie möglich.
- ⚠ **WARNUNG:** Kippgefahr - Achten Sie darauf, den maximalen Wert für die statische und dynamische Stabilität bergauf (siehe Abschnitt „Technische Daten“) nicht zu überschreiten.
- ⚠ **WARNUNG:** Fahren Sie niemals rückwärts eine Steigung hinauf.

Fahren Sie Steigungen (Rampen, Auffahrten usw.) immer gerade an und zwar so, dass alle Räder ständig Bodenkontakt haben, da sonst Kippgefahr besteht.

Sollten Sie an einer Steigung stoppen, indem Sie den Joystick loslassen, so ist der Elektrorollstuhl durch die Motorbremse vor ungewolltem Zurückrollen gesichert. Sobald sich der Joystick in der Ausgangsposition befindet, wird die Motorbremse aktiviert.

Wenn Sie die Fahrt an der Steigung fortsetzen wollen, drücken Sie den Joystick möglichst weit nach vorne, damit genügend Kraft freigesetzt wird. Damit kann der Elektrorollstuhl die Steigung langsam bewältigen.

Sollte die Geschwindigkeit zur Überwindung der Steigung nicht ausreichen, drehen Sie den Geschwindigkeitsregler höher und versuchen Sie es erneut.

2.13.8 Gefälle

- ⚠ **WARNUNG:** Steuern Sie den Elektrorollstuhl - Machen Sie sich mit dem Fahrverhalten des Rollstuhls vertraut.
- ⚠ **WARNUNG:** Steuern Sie den Rollstuhl - Schalten Sie den Elektrorollstuhl an einem Abhang auf keinen Fall in den Leerlauf.
- ⚠ **WARNUNG:** Kontrollieren Sie die Geschwindigkeit – Fahren Sie an Gefällen so langsam wie möglich.
- ⚠ **WARNUNG:** Kippgefahr - Vermeiden Sie scharfe Kurven.
- ⚠ **WARNUNG:** Kippgefahr - Achten Sie darauf, den maximalen Wert für die statische und dynamische Stabilität bergab (siehe Abschnitt „Technische Daten“) nicht zu überschreiten.

Fahren Sie Gefällstrecken immer gerade an. Bei schrägem Anfahren können einzelne Räder vom Boden abheben (Kippgefahr).

Durch das Eigengewicht des Elektrorollstuhls erhöht sich die Geschwindigkeit auf Gefällstrecken. Verringern Sie an der Bedienersteuerung die Geschwindigkeit.

Vermeiden Sie auf Gefällstrecken scharfe Kurven. Durch das Eigengewicht kann der Elektrorollstuhl seitlich abheben oder in scharfen Kurven sogar umkippen.

2.14 Fahren des Elektro-Rollstuhls auf Treppen

- ⚠ WARNUNG: Verletzungsgefahr – Sitzen Sie während des Transports ruhig in Ihrem Rollstuhl und vermeiden Sie ruckartige Bewegungen. Wenn Sie aufgrund von Krankheit oder Behinderung (z. B. leichte Spastiken) beim Transport nicht ruhig sitzen können, müssen mindestens zwei Personen anwesend sein, um den Rollstuhl auf beiden Seiten durch Fassen an festen Rahmenteilern zu sichern.**
- ⚠ WARNUNG: Verletzungsgefahr – Während des Transports müssen geeignete Personenrückhaltegurtsysteme angelegt werden. (Informationen erhalten Sie bei Ihrem Fachhändler.)**
- ⚠ WARNUNG: Verletzungsgefahr – Während des Transports ist darauf zu achten, dass Ihre Arme und Beine nicht aus dem Rollstuhl herausragen.**

Verwenden Sie Rollstuhlrampen oder Hebesysteme, wenn der Rollstuhl Treppen hinauf oder hinunter transportiert werden muss.

2.15 Fahren des Elektro-Rollstuhls auf Rampen

- ⚠ WARNUNG: Verletzungsgefahr - Beachten Sie die maximal zulässige Belastung von Rampen.**
- ⚠ WARNUNG: Verletzungsgefahr – Wählen Sie stets die korrekte Rampe, um Verletzungen oder Beschädigungen zu vermeiden.**
- ⚠ WARNUNG: Verletzungsgefahr - Vergewissern Sie sich, dass die Räder hoch genug sind, um die Rampe gefahrlos befahren zu können. Der Rahmen des Elektrorollstuhls darf die Rampen nicht berühren.**
- ⚠ WARNUNG: Verletzungsgefahr - Nutzen Sie einen Personenrückhaltegurt, um sich im Rollstuhl anzuschnallen.**
- ⚠ WARNUNG: Kippgefahr - Nehmen Sie die Einstellungen für Sitz, Rückenlehne, Fußstützen usw. so vor, dass der Rollstuhl optimal stabilisiert ist.**

Sollten Sie zur Überwindung eines Hindernisses auf Rampen zurückgreifen, beachten Sie bitte Folgendes:

1. Erkundigen Sie sich beim Hersteller nach der maximal zulässigen Belastung der Rampen.
2. Befahren Sie Rampen nur in der niedrigsten möglichen Geschwindigkeit.
3. Befolgen Sie die Anweisungen im Abschnitt „Die erste Fahrt“.

Nehmen Sie gegebenenfalls folgende Einstellungen am Elektrorollstuhl vor, um die Stabilität zu erhöhen:

1. Der Sitz muss sich in der niedrigsten Position befinden und horizontal eingestellt sein.
2. Die Rückenlehne muss senkrecht eingestellt sein.
3. Die Fußstützen müssen sich in einer Position befinden, in der sie beim Passieren des Hindernisses nicht hinderlich sind.

Sollten Sie sich von einer Begleitperson schieben lassen, beachten Sie, dass durch das hohe Eigengewicht des Elektrorollstuhls erhebliche Rückrollkräfte auftreten.

2.16 Schieben des Rollstuhls




- ⚠ **WARNUNG:** Steuern Sie den Elektrorollstuhl - Schalten Sie den Elektrorollstuhl während der Fahrt auf keinen Fall in den Leerlauf.
- ⚠ **WARNUNG:** Steuern Sie den Elektrorollstuhl - Schalten Sie den Elektrorollstuhl an einem Hang auf keinen Fall in den Leerlauf. Andernfalls kann er versehentlich wegrollen.

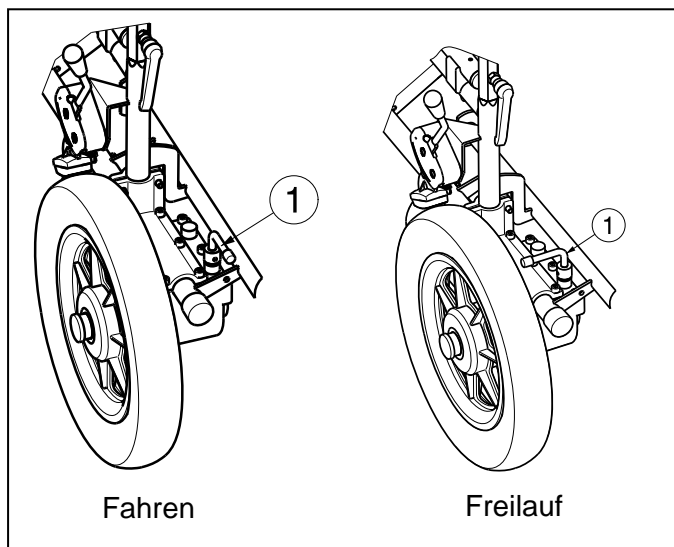
Der Rollstuhl muss mit einer Freilaufvorrichtung ausgestattet werden, die nur für den Helfer zugänglich ist und von diesem bedient werden kann.

2.16.1 150-W-Motoren (6 km/h)

Schalten Sie den Rollstuhl mit den Einstellhebeln ① an den beiden Motoren in den Leerlauf. Die Hebel befinden sich an der Rückseite des Elektro-Rollstuhls.

Befolgen Sie beim Kuppeln oder Auskuppeln die folgenden Anweisungen:

- 
FAHREN
 Bewegen Sie die Einstellhebel ① für beide Motoren in die Fahrposition. Lösen Sie die Feststellbremsen. Schalten Sie die Bedienersteuerung aus und ein. Das elektronisch gesteuerte Fahren ist jetzt möglich.
- 
FREILAUF
 Bewegen Sie die Einstellhebel ① der beiden Motoren in die Leerlaufposition. Damit wird der Freilaufmodus (Leerlauf) des Rollstuhls aktiviert. Sie können den Rollstuhl nun ohne Elektroantrieb schieben.
- 
 In der Freilaufeinstellung ist die elektronische Bremse deaktiviert und der Rollstuhl wird nicht mehr gebremst. Aktivieren Sie den Freilauf nicht auf Gefällstrecken.



- ⚠ Wenn der Freilaufmodus aktiviert wird, wird das elektromagnetische Bremssystem deaktiviert. Damit ist der Rollstuhl nicht länger gesichert und kann wegrollen. Achten Sie darauf, den Rollstuhl nicht an einen Hang oder auf unebenes Gelände zu stellen. Andernfalls kann er versehentlich wegrollen.
- ⚠ Die Elektronik zeigt anhand des blinkenden Sperrsymbols an, dass der Elektroantrieb nicht zur Verfügung steht.

2.17 Transport in einem Auto

- ⚠ **GEFAHR: Verletzungsgefahr - Der Rollstuhl eignet sich nicht als Sitz in einem Kraftfahrzeug.**
- ⚠ **WARNUNG: Verletzungsgefahr - Während des Transports dürfen sich keine Personen oder Gegenstände unter dem Elektrorollstuhl befinden.**
- ⚠ **WARNUNG: Verletzungsgefahr – Achten Sie darauf, den Rollstuhl ordnungsgemäß zu befestigen. So vermeiden Sie Verletzungen der Fahrzeuginsassen bei einer Kollision oder einem plötzlichen Bremsmanöver. Vergewissern Sie sich, dass der Rollstuhl nur an festen Rahmenteilen vergurtet wird.**
- ⚠ **WARNUNG: Verletzungsgefahr – Verwenden Sie zum Sichern des Rollstuhls und von Fahrzeuginsassen NIEMALS denselben Sicherheitsgurt.**

Der Rollstuhl darf nicht als Sitzplatz in einem PKW oder anderen Fahrzeug verwendet werden. Der Rollstuhl ist mit dem folgenden Symbol zu kennzeichnen.



Gehen Sie folgendermaßen vor, um den Rollstuhl im Auto zu transportieren:

Am besten lässt sich der Elektrorollstuhl in ein Fahrzeug transportieren, indem Sie ihn über Rampen hineinfahren.

Wenn Sie keine Erfahrung damit haben, den Elektrorollstuhl über Rampen zu fahren, können Sie ihn auch in den Leerlauf schalten und über Rampen in das Fahrzeug schieben.

Wenn der Rollstuhl nicht in das Auto passt, kann er für den Transport auch zerlegt werden. Dazu müssen die folgenden Schritte ausgeführt werden:

1. Entfernen Sie vor dem Transportieren alle abnehmbaren Teile (Fußstützen, Armauflagenträger, Batteriekästen usw.).
2. Verstauen Sie diese Teile sicher.
3. Heben Sie den Elektro-Rollstuhl mit zwei Personen in das Fahrzeug. Greifen Sie dabei nur die feststehenden Teile des Rahmens.
4. Befestigen Sie die feststehenden Teile des Rahmens sicher im Fahrzeug.
5. Versetzen Sie den Rollstuhl in den Fahrbetrieb (Aktivieren der Feststellbremsen) und stellen Sie sicher, dass das Bediensystem ausgeschaltet ist.

2.18 Transport im Flugzeug

Der Elektrorollstuhl kann im Flugzeug transportiert werden. Elektrorollstühle müssen am Schalter eingecheckt werden. Melden Sie den Rollstuhl rechtzeitig vor dem Abflug bei der betreffenden Fluggesellschaft an. Verwenden Sie den Elektrorollstuhl nicht als Sitzplatz im Flugzeug, er muss im Gepäckraum transportiert werden.

Für den Transport des Rollstuhls im Flugzeug beachten Sie bitte Folgendes:

1. Typ und Eigenschaften des Rollstuhls (Joystick, Akkus)

Die Rollstühle sind mit Trocken- oder Gelbatterien ausgestattet. In der Regel dürfen diese Batterien nicht aus dem Rollstuhl entfernt werden. Trennen und isolieren Sie lediglich die elektrischen Verbindungen am Akku.

2. Abmessungen und Gewicht des Rollstuhls

Das zulässige Gewicht und die zulässigen Abmessungen des Rollstuhls hängen vom Flugzeugtyp ab.



3. Schäden am Rollstuhl

Es besteht die Möglichkeit, dass der Rollstuhl beschädigt wird, da er in einem engen Raum mit Koffern und anderen Gegenständen transportiert wird.

So vermeiden Sie Schäden am Rollstuhl:

- Stellen Sie mit den elektrischen Einstellvorrichtungen die Standardposition ein (Hubsäule so niedrig wie möglich, Sitz horizontal, Rückenlehne ganz nach vorne).
- Klappen Sie die Fußplatten nach oben und die Armauflagenträger ganz nach innen.
- Vergewissern Sie sich, dass die Einstellhebel nach innen gerichtet sind.
- Decken Sie die Bedienersteuerung mit einem weichen Material ab, das Stöße abdämpft.

Erkundigen Sie sich vor der Reise bei der betreffenden Fluggesellschaft nach deren Vorgaben für den Transport des Rollstuhls im Flugzeug.

2.19 Batterien

Standardmäßig ist der Elektrorollstuhl mit zwei geschlossenen AGM-Batterien (12 V/38 Ah oder 50 Ah) ausgestattet. Die Batterien des Elektrorollstuhls sind Fahrbatterien, die ihre volle Kapazität erst nach einigen Lade- und Entladezyklen erreichen.

Wenn die Batterien nach langem Gebrauch nicht mehr die volle Leistung erbringen oder wenn sie beschädigt sind, lassen Sie beide Batterien austauschen, und zwar unbedingt von einem Fachhändler.

Für Schäden aufgrund der Verwendung anderer Batterietypen kann keine Haftung übernommen werden.

Wenn die Batterien geöffnet werden, entfallen alle Garantieansprüche und jegliche Herstellerhaftung.

Verwenden Sie die Batterien nicht bei Temperaturen unter -5°C oder über $+50^{\circ}\text{C}$ (ideal: $+20^{\circ}\text{C}$).

Verwenden Sie nur Originalbatterien. Wir haften nicht für Schäden, die durch die Verwendung anderer Batterien entstehen.

2.20 Ladegerät

Verwenden Sie zum Laden der Batterien ausschließlich das mitgelieferte Ladegerät. Anweisungen zum Ladegerät finden Sie in der Anleitung, die mit dem Ladegerät mitgeliefert wird.

2.21 Laden der Batterien

⚠ VORSICHT: Verletzungsgefahr - Verwenden Sie zum Laden der Batterien ausschließlich das mitgelieferte Ladegerät.

Da das Ladegerät die Ladekurve an den Ladepegel der Batterien anpasst, können Sie den Rollstuhl nach jedem Gebrauch laden. Damit werden das übermäßige Aufladen der Batterien und der „Memory-Effekt“ vermieden.

Laden Sie die Batterien des Rollstuhls spätestens, wenn die Ladeanzeige an der Bedieneinheit die rote Zone erreicht. Wenn Sie dennoch weiterfahren, leuchtet bald nur noch die letzte rote Diode an der Ladeanzeige und weist durch unaufhörliches Blinken darauf hin, dass die Batteriekapazität fast erschöpft ist. Wenn Sie auch dieses Warnsignal missachten, erscheint nach kurzer Zeit ein Fehlercode, der darauf hinweist, dass die Batterien nicht mehr die für den Fahrbetrieb notwendige Leistung aufbringen können. Die Batterien sollten daher

mit dem mitgelieferten Ladegerät geladen werden, bevor diese Fehlermeldung erscheint. Vermeiden Sie auf jeden Fall, dass die Batterien vollständig entladen werden.

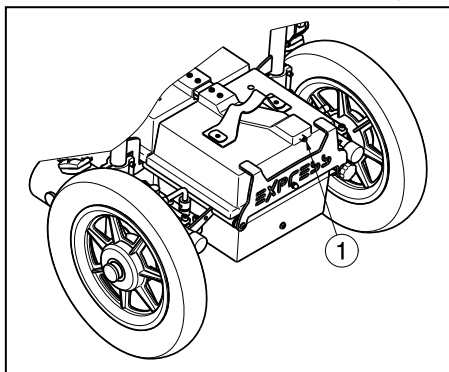
Für die Nutzung des Ladegerätes, lesen Sie die separate Gebrauchsanweisung für das Ladegerät.

Wenn Sie den Elektrorollstuhl einmal längere Zeit nicht benutzen wollen, sollten Sie ihn dennoch von Zeit zu Zeit an das Batterieladegerät anschließen, um die Batterien nachzuladen und den Rollstuhl einsatzbereit zu halten.

Für Schäden, die durch unsachgemäßes Laden verursacht werden, haftet der Hersteller nicht.

Weitere Informationen finden Sie in der Anleitung zum Ladegerät.

2.22 Thermosicherung



Zum Schutz der Motoren vor Überlast befindet sich an der Rückseite des Rollstuhls oben auf dem Batteriefach eine Thermosicherung ①, die den Motor automatisch von der Stromversorgung trennt, um vor Überhitzung und somit vor beschleunigtem Verschleiß und Ausfällen zu schützen. Dies kann immer dann auftreten, wenn Hangstrecken befahren werden, die die angegebenen Maximalwerte übersteigen. Ebenso kann bei Nennlasten oberhalb des Maximalwertes die Sicherung auslösen.

Zur Wiederinbetriebnahme des Elektro-Rollstuhls beheben Sie die jeweiligen Überlasten und warten Sie, bis der Motor abgekühlt ist. Danach drücken Sie vorsichtig die Thermosicherung. Der Rollstuhl ist jetzt wieder betriebsbereit.

3 Zusammenbau und Einstellung

Die Anweisungen in diesem Kapitel richten sich an den Fachhändler.

Der Express VB ist ein Elektro-Rollstuhl mit Hinterradantrieb.

- ⚠ WARNUNG:** Nutzen Sie das Produkt nur gemäß den technischen Vor- und Angaben dieser Gebrauchsanweisung.
- ⚠ WARNUNG:** Kippgefahr - Auch zulässige Einstellungen können die Stabilität des Rollstuhls unter bestimmten Umständen beeinträchtigen (Rückwärts- oder Seitwärtskippen).

3.1 Werkzeuge

Für die Montage des Rollstuhl und für Einstellungen werden die folgenden Werkzeuge benötigt:

- Schraubenschlüsselsatz Größe 10
- Inbusschlüsselsatz Größe 4 bis 5

3.2 Lieferumfang

Der Lieferumfang des Elektro-Rollstuhls umfasst:

- Rahmen, Armauflagen, Bedieneinheit, Hinter- und Vorderräder, Sitz und Rückenlehne
- 1 Paar Fußstützen
- 2 Antriebsbatterien + 2 Batteriekästen + 2 Antriebsmotoren
- Batterieladegerät mit Handbuch

- Elektronik
- Werkzeuge
- Bedieneinheit mit Handbuch
- Zubehör

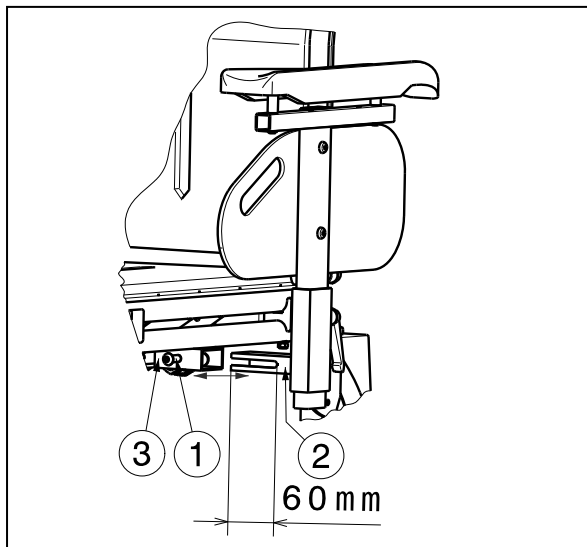
Prüfen Sie vor der Verwendung, ob alle aufgeführten Artikel in der Lieferung enthalten und nicht beschädigt sind (beispielsweise durch den Transport). Beachten Sie, dass die Basiskonfigurationen in den verschiedenen europäischen Ländern variieren kann. Wenden Sie sich an Ihren Fachhändler.

3.3 Mögliche Anpassungen

- ⚠ **WARNUNG: Verletzungsgefahr -** Schalten Sie den Elektrorollstuhl aus, bevor Sie irgendwelche Einstellungen vornehmen.
- ⚠ **WARNUNG: Verletzungsgefahr -** Nehmen Sie auf keinen Fall während der Fahrt irgendwelche Einstellungen vor.
- ⚠ **WARNUNG: Verletzungsgefahr –** Einstellungen dürfen nur vom Fachhändler vorgenommen werden.
- ⚠ **WARNUNG: Verletzungsgefahr –** Stellen Sie sicher, dass alle Schrauben und Hebel sicher festgestellt sind, bevor Sie mit dem Elektro-Rollstuhl fahren.
- ⚠ **VORSICHT: Klemmgefahr –** Halten Sie Ihre Finger, Schnallen oder Kleidungsstücke vom Befestigungsmechanismus oder beweglichen Teilen fern.

3.3.1 Einstellen der Armauflagen

Der Breitenabstand der Armauflagen kann horizontal verstellt werden.



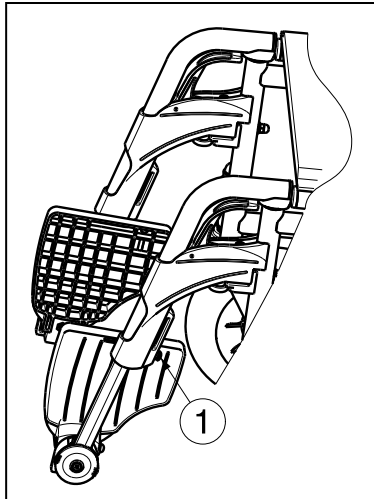
1. Lösen Sie die Sechskantschrauben ① unter dem Sitzgestell.
2. Verschieben Sie die Armauflagen in horizontaler Richtung in die gewünschte Position, indem Sie die Vierkantrohre ② und ③ ineinander verschieben. (60-mm-Bereich, stufenlos)
3. Ziehen Sie die Schrauben ① wieder sicher fest.
4. Wiederholen Sie dieses Verfahren für die andere Armauflage.

Stellen Sie sicher, dass die Armauflagen auf beiden Seiten identisch positioniert sind.

3.3.2 Einstellen der Fußauflagen

* Einstellen der Länge:

⚠ VORSICHT: Risiko der Beschädigung – Achten Sie darauf, dass die Fußauflagen den Boden nicht berührt. Achten Sie auf einen Abstand von mindestens 30 mm zwischen der Fußauflage und dem Boden.



So stellen Sie die Länge des Fußauflagen ein:

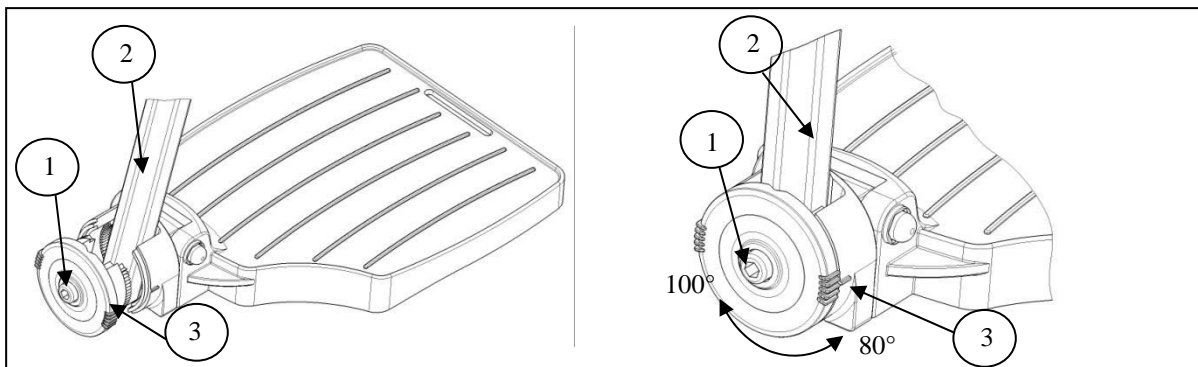
1. Drehen Sie die Schraube ① (auf der Rückseite des Fußauflagen) heraus.
2. Stellen Sie die Fußauflage auf eine angenehme Länge ein (Bereich: 120 mm, Stufenlos).
3. Setzen Sie die Schraube ① wieder ein und ziehen diese handfest an.

* Verstellen der Fußplatten:

Die Fußplatten können in zwei Höhen verwendet werden. In der Standardeinstellung sind sie auf die Grundplatte in der hinterer Position eingestellt.

Die Fußplatten können weiter nach vorn versetzt werden, indem rechte und linke Fußplatte gegeneinander ausgetauscht werden.

* Verstellen der Fußplatten:



Der Winkel des Fußplatten wird wie folgt eingestellt:

1. Lösen Sie die Schraube ①.
2. Verstellen Sie das Rohr ② in den gewünschten Winkel. Die Winkelanzeige (80°-85°-90°-95°-100°) kann an den Strichen ③ abgelesen werden.
3. Ziehen Sie die Schraube ① wieder fest.

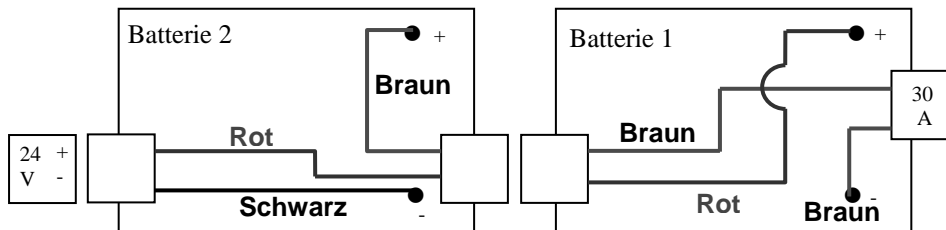
3.4 Batterieanschlüsse

- ⚠ **VORSICHT: Verletzungsgefahr – Stellen Sie sicher, dass keine Werkzeuge oder leitenden Elemente zwischen die Batteriepole gelangen, um einen versehentlichen Stromfluss zu verhindern.**
- ⚠ **VORSICHT: Gefahr von Verletzungen und Beschädigungen – Arbeiten Sie nie in einer feuchten Umgebung, wenn Sie Batterie oder elektronische Elemente handhaben.**

So trennen Sie die Batterie am sichersten:

1. Trennen Sie die batterien 1.
2. Trennen Sie die batterien 2.

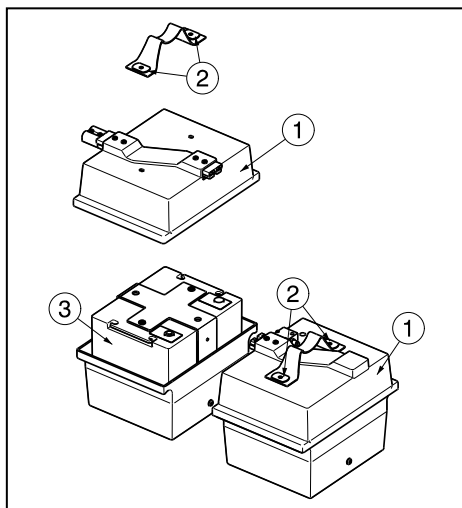
Gehen Sie in umgekehrter Reihenfolge vor, um die Akkus anzuschließen.



3.5 Wechsel der Batterien

- ⚠ **VORSICHT: Gefahr der Verätzung – Vermeiden Sie einen Kontakt mit der Batteriesäure. Achten Sie auf eine gute Belüftung des Batteriefachs.**

Der Akku sollte nur von geschultem Personal ausgewechselt werden.



So wird der Batterien des Elektro-Rollstuhls gewechselt.

1. Entfernen Sie die zwei Batteriekästen aus dem Rollstuhl
2. Nehmen Sie die Batteriefachabdeckung ab ①, indem Sie die Schrauben ② der Handgriffe ③ lösen.
3. Trennen Sie alle Kabel von den Akkus.
4. Heben Sie die Batterien ③ aus dem Batteriefach.
5. Setzen Sie die neuen Batterien in das Batteriefach ein.
6. Schließen Sie alle Kabel an den Batterien an.
7. Bringen Sie die Batteriefachabdeckung ① wieder mit den Schrauben ② an.

3.6 Reifenwechsel

- ⚠ **VORSICHT:** Vor dem Entfernen des Reifens muss die Luft aus dem Schlauch entwichen sein.
- ⚠ **VORSICHT:** Gefahr von Sachschäden - Bei unsachgemäßer Handhabung können Schäden an der Felge entstehen.

Eine sachgerechte Montage ist nur durch den Fachmann gewährleistet. Bei Arbeiten, die nicht vom Fachmann ausgeführt werden, entfällt der Garantieanspruch.

Verwenden Sie zum Befüllen nur ordnungsgemäße Luftfülleinrichtungen mit Messskalen in bar. Für Schäden, die aufgrund von Luftfülleinrichtungen und Rädern entstehen, die nicht vom Hersteller stammen, übernehmen wir keine Haftung.

- ⚠ **WARNUNG:** Verletzungsgefahr - Prüfen Sie, ob der Luftdruck korrekt ist.
- ⚠ **VORSICHT:** Verletzungsgefahr - Achten Sie darauf, dass bei der Montage keine Gegenstände, Körperteile oder Schläuche zwischen Reifen und Felge eingeklemmt werden.

- Lenkräder (Vorderräder)

Abnehmen des Reifens von der Felge:

1. Lassen Sie die Luft komplett aus dem Schlauch.
2. Führen Sie einen Reifenheber zwischen Reifen und Felge ein.
3. Drücken Sie den Reifenheber langsam und vorsichtig nach unten. Dadurch wird der Reifen über den Felgenrand gezogen.
4. Wenn Sie danach mit dem Reifenheber an der Felge entlangfahren, springt der Reifen aus der Felge.
5. Nun können Sie den Reifen von der Felge abnehmen und dann den Schlauch entfernen.

Vor der Montage des neuen Schlauchs sollten Sie Folgendes beachten:

Prüfen Sie das Felgenbett und die Reifeninnenwand auf Fremdkörper und reinigen Sie diese gegebenenfalls gründlich. Überprüfen Sie den Zustand des Felgenbetts, besonders an der Ventilöffnung. Verwenden Sie bitte nur Originalersatzteile. Bei Beschädigungen durch Ersatzteile, die keine Originalersatzteile sind, übernehmen wir keine Haftung. Setzen Sie sich mit Ihrem Fachhändler in Verbindung.

Montieren des Reifens auf der Felge:



Legen Sie den Schlauch ohne Luftbefüllung rundum in die Felgenmitte. Achten Sie darauf, dass das Ventil durch die Ventilöffnung der Felge hinausragt.



Nehmen Sie nun den Reifen und drücken Sie diesen hinter dem Ventil beginnend über den Felgenrand. Pumpen Sie den Schlauch etwas auf, bis er eine runde Form annimmt, und drücken Sie ihn unter den Reifen.



Liegt der Schlauch rundherum faltenlos im Reifen (wirft er Falten, etwas Luft ablassen), drücken Sie den Reifen am Ventil beginnend von oben her leicht mit beiden Händen auf die Felge.

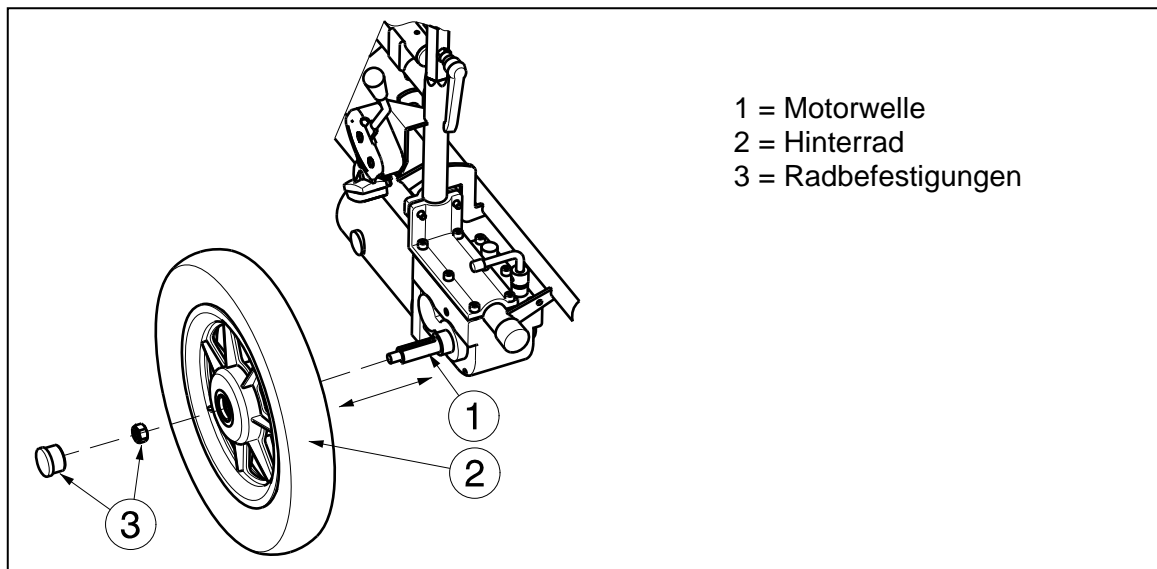
Vergewissern Sie sich, dass der Schlauch rundherum und an beiden Seiten nicht zwischen Reifenwulst und Felge eingeklemmt ist. Schieben Sie das Ventil leicht nach innen und ziehen Sie es wieder heraus, damit der Reifen im Ventilbereich gut sitzt.

Füllen Sie beim Aufpumpen erst soviel Luft ein, dass sich der Reifen noch gut mit dem Daumen eindrücken lässt. Weist die Kontrolllinie auf beiden Reifenseiten den gleichen Abstand zum Felgenrand auf, sitzt der Reifen zentrisch. Wenn nicht, lassen Sie die Luft wieder ab und richten Sie den Reifen neu aus. Pumpen Sie nun den Reifen bis zum maximalen Betriebsdruck auf (Fülldruck beachten!) und drehen Sie die Staubkappe auf das Ventil.

Achten Sie bei der Befüllung der Reifen immer auf den korrekten Fülldruck. Diesen können Sie seitlich am Reifen ablesen.

- **Antriebsräder (Hinterräder)**

⚠ WARNUNG: Verletzungsgefahr - Vergewissern Sie sich vor der Inbetriebnahme des Elektrorollstuhls von Hand, dass alle Schrauben fest angezogen sind.



ZERLEGEN

1. Lösen und entfernen Sie die Radbefestigungen ③.
2. Nehmen Sie das Hinterrad ② in seiner Gesamtheit von der Motorwelle ① ab.

ZUSAMMENBAUEN

1. Reinigen Sie Gewinde und Motorwelle und schmieren Sie die Gewinde.
2. Befestigen Sie das Hinterrad an der Motorwelle, sodass sich die Radnabe in die Nut der Motorwelle einfügt.
3. Befestigen Sie die Räder sicher mit der Mutter (Radbefestigungen ③).

4 **Wartung**

Eine Wartungs-/Reinigungsanleitung entnehmen Sie dem separaten Wartungshandbuch für Elektro-Rollstühle.



Indice

1	Descrizione del prodotto.....	3
1.1	Destinazione d'uso	3
1.2	Specifiche tecniche	4
1.3	Componenti	6
1.4	Accessori	6
1.5	Significato dei simboli.....	6
1.6	Istruzioni per la sicurezza	7
2	Utilizzo	8
2.1	Osservazioni sulla compatibilità elettromagnetica (EMC, electromagnetic compatibility).....	8
2.2	Trasporto della carrozzina elettrica	9
2.3	Montaggio e smontaggio della carrozzina elettrica.....	10
2.4	Ripiegare o aprire la carrozzina.....	10
2.5	Montaggio o rimozione dello schienale.....	11
2.6	Montaggio o rimozione del vano batteria.....	11
2.7	Montaggio o rimozione di poggiaabbraccia.....	12
2.8	Montaggio o rimozione dei poggiapiedi.....	13
2.9	Utilizzo dei freni di stazionamento.....	13
2.10	Trasferimento della carrozzina all'interno e all'esterno	14
2.11	Posizione corretta nella carrozzina elettrica	14
2.12	Guida della carrozzina elettrica	14
2.13	Utilizzo dei freni elettromagnetici.....	15
2.14	Guida della carrozzina elettrica sulle scale.....	18
2.15	Guida della carrozzina elettrica sulle rampe.....	18
2.16	Spinta della carrozzina.....	19
2.17	Transporto in auto.....	20
2.18	Transporto in aereo	20
2.19	Batterie.....	21
2.20	Caricabatterie.....	21
2.21	Carica della batteria	21
2.22	Fusibile termico	22
3	Installazione e regolazione.....	22
3.1	Attrezzi	22
3.2	Modalità di consegna.....	22
3.3	Regolazioni consentite.....	23
3.4	Connettori delle batterie	24
3.5	Sostituzione delle batterie.....	25
3.6	Sostituzione degli pneumatici.....	25
4	Manutenzione.....	27



Premessa

Ringraziamo per la fiducia accordataci con l'acquisto di uno dei nostri prodotti.

La durata della carrozzina elettrica è fortemente legata alla cura e alla manutenzione che vi si dedicano.

Questo manuale ha lo scopo di aiutare ad acquisire familiarità con il funzionamento della carrozzina elettrica.

Il rispetto delle istruzioni d'uso e di manutenzione costituisce parte integrante della garanzia.

Il manuale riflette gli sviluppi più recenti dei prodotti. Vermeiren si riserva il diritto di apportare modifiche senza preavviso, senza essere tenuta a sostituire o adattare modelli forniti in precedenza.

Per qualsiasi chiarimento, rivolgersi al rivenditore specializzato.

1 Descrizione del prodotto

1.1 Destinazione d'uso

La carrozzina elettrica Express VB è dotata di due motori con potenza di 150 watt.

La carrozzina elettrica Express VB è destinata al trasporto di persone con difficoltà motorie o incapacità di deambulazione. ed è progettata per il trasporto di una sola persona.

La carrozzina elettrica è destinata solo al trasporto di persone, non di oggetti.

La carrozzina elettrica non deve essere utilizzata da persone che soffrono di gravi disturbi fisici o mentali che potrebbero limitarne la sicurezza, ad esempio problemi alla vista.

Le diverse versioni di allestimento e gli accessori e la concezione modulare consentono l'utilizzo della carrozzina da parte di persone con impossibilità/difficoltà di deambulazione in seguito a:

- paralisi
- amputazione di arti inferiori
- difetti o deformazioni degli arti inferiori
- contratture o lesioni articolari
- insufficienza cardiaca e cardiocircolatoria
- disturbi dell'equilibrio
- cachessia (deterioramento della massa muscolare)

La carrozzina elettrica non dovrebbe essere usata da persone che sono in condizione di poter facilmente cadere. Eventualmente in questi casi è necessario utilizzare una cintura di sicurezza.

La carrozzina elettrica rientra nella classificazione A.

La carrozzina elettrica può essere utilizzata all'interno e limitatamente anche all'esterno.

L'occupante può controllare direttamente il movimento della carrozzina oppure farsi spingere da un accompagnatore tramite le impugnature di spinta.

Nella valutazione delle esigenze personali, si consiglia di tenere in considerazione i seguenti fattori:

- corporatura e peso corporeo (90 kg max)
- condizioni psico-fisiche
- abitazione
- ambiente

La carrozzina elettrica deve essere utilizzata su superfici piane su cui sia possibile il contatto di tutte le quattro ruote e la spinta uniforme così da garantirne la sicurezza.

Esercitarsi nella guida su superfici sconnesse (ciottoli, ecc.), pendenze, curve e nel superamento di ostacoli (scalini, ecc.). L'attraversamento di superfici con caratteristiche particolari, quali ghiaccio, erba, foglie o detriti, comporta un alto livello di rischio.

Non utilizzare la carrozzina elettrica come scala, né per trasportare oggetti pesanti o caldi.

Se si utilizza la carrozzina in strada o sul marciapiede, attenersi alle norme del codice della strada.

La carrozzina elettrica può essere utilizzata sul marciapiede o sulle strade urbane. In nessuna circostanza utilizzare la carrozzina elettrica su strade molto trafficate o autostrade.


Utilizzare solo gli accessori approvati da Vermeiren.

La casa costruttrice non può essere ritenuta responsabile per danni causati da mancanza di manutenzione adeguata o risultanti dal mancato rispetto delle istruzioni contenute nel presente manuale.

I pazienti con problemi di vista possono contattare il rivenditore per le istruzioni d'uso.

1.2 Specifiche tecniche

I termini tecnici riportati di seguito sono applicabili alla carrozzina elettrica con configurazione standard e in condizioni ambientali ottimali. In caso di utilizzo di accessori, i valori in tabella cambiano. Le prestazioni della carrozzina possono essere influenzate negativamente da cambiamenti della temperatura esterna, umidità dell'aria, pendenza della superficie di appoggio, terreno accidentato e livello di carica della batteria.

Marchio	Vermeiren				
Indirizzo	Vermeirenplein 1/15, B-2920 Kalmthout				
Tipo	Carrozzina elettrica, Classe A				
Modello	Express VB				
Peso massimo dell'occupante	90 kg				
Descrizione	Dimensioni				
Larghezza effettiva del sedile	390 mm	420 mm	440 mm	460 mm	500 mm
Larghezza complessiva (in base alla larghezza del sedile)	580 mm	610 mm	630 mm	650 mm	690 mm
Descrizione	Dimensioni minime		Dimensioni massime		
Velocità massima	6 km/h				
Intervallo distanza di marcia continua*	Circa 18 km (Batterie 38 Ah) Circa 25 km (Batterie 50 Ah)				
Lunghezza complessiva con poggiatesta	950 mm				
Altezza complessiva (compreso schienale)	960 mm				
Lunghezza quando ripiegata o smontata (senza poggiatesta e vano batteria)	790 mm				
Larghezza quando ripiegata o smontata (carrozzina chiusa)	400 mm				
Altezza quando ripiegata o smontata (schienale ripiegato, senza poggiatesta)	710 mm (per sedili con larghezza 460 mm, in base alla larghezza del sedile)				
Peso totale	Da 67 kg (per sedili con larghezza 390 mm; in base alla larghezza del sedile e agli accessori)				
Peso della parte più pesante smontabile o rimovibile	Telaio, poggiatesta + joystick, imbottiture sedile, imbottiture schienale: da 29,95 kg				
Peso delle parti smontabili o rimovibili	Poggiatesta senza joystick: 1,60 kg; Poggiatesta: 1,85 kg Vano batteria: 15,90 kg / pezzo (Batterie: 13,5 kg / pezzo); Schienale: 1,80 kg				
Stabilità statica in discesa	7,5°				
Stabilità statica in salita	12°				
Stabilità statica laterale	10°				
Pendenza massima consentita	7°				
Superamento degli ostacoli	15 mm				
Sgombro del suolo	30 mm				
Inclinazione del piano del sedile	5°				
Profondità effettiva del sedile	430 mm				



Marchio	Vermeiren	
Indirizzo	Vermeirenplein 1/15, B-2920 Kalmthout	
Tipo	Carrozzina elettrica, Classe A	
Modello	Express VB	
Peso massimo dell'occupante	90 kg	
Spessore imbottitura sedile	40 mm	
Descrizione	Dimensioni minime	Dimensioni massime
Altezza della superficie del sedile all'estremità anteriore (senza imbottitura sedile)	540 mm	
Inclinazione dello schienale	5°	
Altezza dello schienale	430 mm	
Distanza tra poggiatesta e sedile	400 mm	520 mm
Angolazione tra poggiatesta e pedana	80 °	100 °
Angolazione tra sedile e poggiatesta	105°	
Angolazione tra sedile e pedana	5°	25°
Distanza tra braccioli e sedile	225 mm	315 mm
Posizione anteriore della struttura del bracciolo	400 mm	
Motori di guida	2 x 150W + Sistema frenante elettromagnetico	
Batterie	2 x 12V --- AGM / 38 Ah o 50 Ah / 20 hr	
Caricabatterie	Consultare l'apposito manuale del carica batterie (Utilizzare SOLO il carica batterie fornito con la carrozzina elettrica)	
Fusibile termico	30 AMP	
Unità di comando	Consultare l'apposito manuale dell'unità di controllo	
Diametro di sterzata minimo	circa 1400 mm	
Ampiezza retromarcia	Non applicabile	
Diametro ruote posteriori (numero)	aria 12 1/2 x 2 1/4" (2)	
Pressione di gonfiaggio pneumatici, ruote posteriori **	Max. 2,5 bar	
Diametro ruote anteriori (numero)	aria 8 x 1 3/4 mm (2)	
Pressione di gonfiaggio pneumatici, ruote anteriori **	Max. 2,5 bar	
Pressione acustica	< 65 dB (A)	
Temperatura per utilizzo e conservazione	-20 °C fino a +40 °C	
Temperatura d'esercizio dell'elettronica	-10 °C fino a +40°C	
Umidità per utilizzo e conservazione	30%	70%
<p>La casa produttrice si riserva il diritto di apportare modifiche tecniche. Tolleranza misurazioni \pm 15 mm / 1,5 kg / ° .</p> <p>* La distanza di guida teorica risulterà inferiore se la carrozzina viene utilizzata spesso su pendenze, terreni accidentati o scalini.</p> <p>**Poiché è possibile utilizzare diversi tipi di pneumatici, verificare la pressione pneumatica corretta da applicare in base al tipo utilizzato. Per pneumatici di diametro diverso, rivolgersi al rivenditore specializzato.</p>		

Tabella 1: Specifiche tecniche

La carrozzina è conforme ai requisiti stabiliti dalle normative:

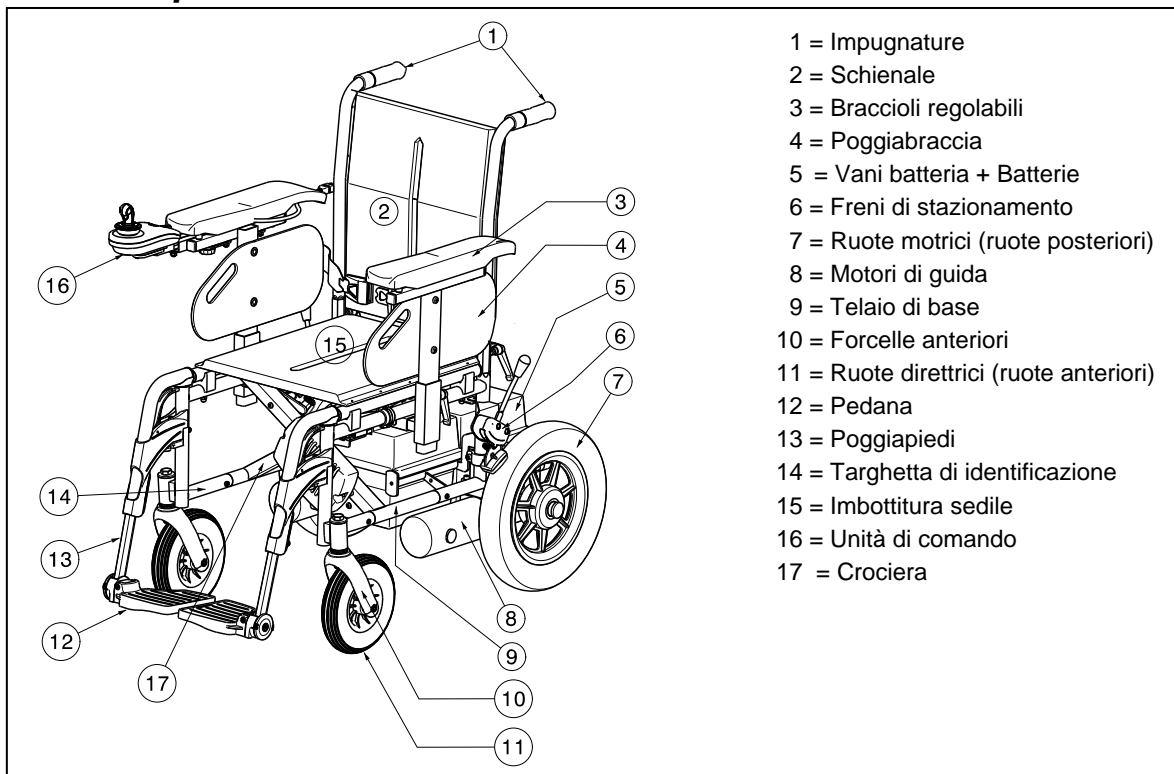
ISO 7176-8: Requisiti e test per prove di stabilità, d'urto e di fatica.

ISO 7176-14: Carrozze - Parte 14: Sistemi di alimentazione e controllo per carrozze elettroniche e scooter - Requisiti e metodi di prova

EN 1021-1: Mobili - Verifica dell'accendibilità dei mobili imbottiti - Parte 1 : Sorgente di accensione: sigaretta in combustione lenta

EN 1021-2: Mobili - Verifica dell'accendibilità dei mobili imbottiti - Parte 2 : Sorgente di accensione: fiamma equivalente a quella di un fiammifero

1.3 Componenti



1.4 Accessori

Per la carrozzina elettrica Express VB sono disponibili i seguenti accessori:

- Inclinazione dello schienale (SE52)
- Schienale e sedile sagomati (L24 / L25)

1.5 Significato dei simboli



Peso massimo



Utilizzo interno ed (limitata) esterno



Utilizzo interno (solo per caricabatteria)




Ciclo di smaltimento e riciclo separato per dispositivi elettrici ed elettronici (solo per caricabatterie)



Classe di protezione II



Pendenza massima consentita

 Conformità CE



Velocità massima

km/h



Posizione: freni di stazionamento attivati (possibilità di marcia elettrico)



Posizione: freni di stazionamento disattivati (possibilità di scorrimento libero e spinta), marcia elettrico impossibile)



Durante il movimento a scorrimento libero, prestare attenzione a pendenze e inclinazioni



















Non utilizzabile come sedile in un veicolo a motore



Modello

1.6 Istruzioni per la sicurezza

-  Per evitare il rischio di lesioni o di danneggiamento della carrozzina, allontanare oggetti o parti del corpo dalle ruote motrici.
-  Attenersi alle istruzioni d'uso. Evitare, ad esempio, di procedere senza freni verso un ostacolo (gradino, bordo del cordolo del marciapiede) o di scendere dai gradini.
-  Durante la salita/discesa sulla/dalla sedia non appoggiarsi alle pedane. Prima di salire o scendere, ripiegare le pedane.
-  Verificare gli effetti dello spostamento del centro di gravità sulla carrozzina, ad esempio quando ci si trova su pendenze verso l'alto o verso l'alto, su superfici inclinate lateralmente o durante il superamento di ostacoli. Chiedere assistenza a un accompagnatore.
-  Per raccogliere da terra un oggetto posto di fronte, a fianco o dietro alla carrozzina, prestare attenzione a non sporgersi eccessivamente per evitare il rischio di ribaltamento.
-  Durante gli spostamenti attraverso porte o archi, assicurarsi che via sia spazio laterale sufficiente per evitare che le mani o le braccia rimangano impigliate o schiacciate e che la carrozzina non venga danneggiata.
-  Evitando, ad esempio, di procedere senza frenare verso ostacoli (gradini, spigoli) o dislivelli. La casa produttrice declina ogni e qualsiasi responsabilità per danni o lesioni derivanti da sovraccarico, collisioni o altri usi impropri.
-  Durante gli spostamenti in luoghi pubblici, rispettare le normative locali vigenti.
-  Alcol, farmaci o droghe possono influire negativamente sulle capacità di guida.
-  In ambienti esterni, tenere conto delle condizioni atmosferiche e del traffico.
-  Non utilizzare la carrozzina elettrica in caso di pioggia.
-  Evitare di utilizzare la modalità a scorrimento libero se la carrozzina elettrica si trova su una pendenza.
-  Non fare mai retromarcia in salita.
-  Ridurre la velocità in prossimità degli angoli.
-  Per poter essere visibili nell'oscurità, indossare abiti chiari o dotati di catarifrangenti e verificare che i catadiottri della carrozzina siano perfettamente visibili.
-  Assicurarsi che le luci e i catadiottri della carrozzina elettrica siano puliti e non siano coperti da oggetti che potrebbero diminuirne la luminosità.

- ⚠ Per trasportare la carrozzina, non afferrare le parti mobili quali ruote, poggiaabbraccia, poggiapiedi o altre parti simili.
- ⚠ Durante il trasporto, la carrozzina elettrica deve essere vuota e non deve essere utilizzata per il trasporto di persone.
- ⚠ La carrozzina è predisposta per una sola persona, non sono previsti occupanti aggiuntivi.
- ⚠ Se la carrozzina elettrica viene riposta o parcheggiata all'esterno, proteggerla dall'umidità con una copertura adeguata.
- ⚠ Umidità ambientale elevata o freddo intenso possono ridurre il livello di prestazioni della carrozzina elettrica.
- ⚠ Non utilizzare mai la carrozzina in sostituzione degli appositi seggiolini in un'automobile o in altri veicoli.
- ⚠ Non superare la portata massima (90 kg).
- ⚠ Utilizzare solo gli accessori approvati da Vermeiren.
- ⚠ Prima di salire o scendere, smontare o trasportare la carrozzina elettrica, utilizzare il pulsante di AVVIO/ARRESTO dell'unità di comando per spegnere la carrozzina.
- ⚠ Verificare che lo spessore degli pneumatici sia adeguato.
- ⚠ Se la carrozzina elettrica è dotata di pneumatici, verificare che la pressione sia adeguata (*vedere le indicazioni relative alla pressione degli pneumatici*).
- ⚠ Affrontare le scale solo con l'aiuto di un assistente. Servirsi, se presenti, degli appositi sistemi, come rampe o ascensori.
- ⚠ Rischio di lesioni in caso di arresto improvviso - Usare sempre le cinture di sicurezza.
- ⚠ E' raccomandato l'utilizzo della cintura di sicurezza per pazienti che abbiano dei movimenti che possano causare il ribaltamento della carrozzina.

2 Utilizzo

Nel capitolo viene descritto l'utilizzo quotidiano. **Le presenti istruzioni sono destinate all'utente e al rivenditore specializzato.**

Per individuare il centro assistenza o il rivenditore specializzato più vicino, contattare il centro Vermeiren. Nell'ultima pagina del manuale, è disponibile un elenco di centri Vermeiren autorizzati.

La carrozzina elettrica viene fornita completamente assemblata dal rivenditore specializzato. Le istruzioni sulla configurazione della carrozzina elettrica destinate ai rivenditori specializzati sono descritte nella sezione § 3.

2.1 Osservazioni sulla compatibilità elettromagnetica (EMC, *electromagnetic compatibility*)

La conformità EMC della carrozzina elettrica è stata testata in base alle norme EN 61000-4-3, e EN 61000-4-2.

Si segnala che le fonti elettromagnetiche possono provocare interferenze. A loro volta, i componenti elettronici della carrozzina possono influenzare il funzionamento di altri apparecchi elettrici.

Per ridurre l'effetto delle fonti elettromagnetiche di interferenza, leggere le indicazioni seguenti:

- ⚠ **AVVERTENZA: La carrozzina potrebbe interferire con il funzionamento di dispositivi che si trovano nello stesso ambiente e che generano campi elettromagnetici.**

- ⚠ **AVVERTENZA:** Le prestazioni di guida della carrozzina potrebbero essere influenzate dai campi elettromagnetici, ad esempio generatori elettrici o fonti ad alta potenza.
- ⚠ **AVVERTENZA:** Evitare l'utilizzo di TV o radio portatili nelle vicinanze della carrozzina se questa è in funzione.
- ⚠ **AVVERTENZA:** Evitare l'utilizzo di ricetrasmittitori nelle vicinanze della carrozzina se questa è in funzione.
- ⚠ **AVVERTENZA:** Verificare la presenza di antenne per trasmettitori ed evitare di utilizzare la carrozzina nelle vicinanze.
- ⚠ **AVVERTENZA:** Nel caso in cui si verificasse un movimento o una frenata accidentale, spegnere la carrozzina non appena possibile.

Interferenze di campi elettromagnetici potrebbero avere effetti negativi sul sistema elettronico della carrozzina, inclusi:

- Disattivazione del freno a motore
- Movimenti fuori controllo della carrozzina
- Sterzate accidentali

In presenza di interferenze molto forti e durature, i sistemi elettronici potrebbero subire danni permanenti o irrimediabili.

Fonti possibili di radiazioni:

- Installazioni ricetrasmittenti portatili (ricetrasmittitori con antenna fissa)
 - Impianti ricetrasmittenti
 - TV, radio e altri dispositivi elettronici portatili
 - Altri dispositivi di comunicazione personale
- Ricetrasmittitori mobili di media portata, ad esempio antenne auto
 - Impianti ricetrasmittenti fissi
 - Dispositivi ricetrasmittenti fissi e portatili
 - Radio, TV e dispositivi elettronici fissi
- Dispositivi ricetrasmittenti a lunga portata
 - Tralicci radio e televisione
 - Impianti radio amatoriali
- Altri dispositivi domestici
 - Lettori CD
 - Computer portatili
 - Forni a microonde
 - Videoregistratori
 - Altri apparecchi simili

Rasoi elettrici e asciugacapelli se perfettamente funzionanti e in ottime condizioni non provocheranno alcuna interferenza. Per garantire il funzionamento corretto della carrozzina, attenersi alle istruzioni d'uso fornite con gli apparecchi elettrici.

2.2 Trasporto della carrozzina elettrica

Il modo migliore per trasportare la carrozzina elettrica consiste nell'utilizzo della modalità a scorrimento libero. Impostare la modalità a scorrimento libero e spingere la carrozzina con le impugnature fino a raggiungere la posizione desiderata.

Per salire o scendere dalle scale, utilizzare il sistema di sollevamento o le apposite rampe. Per salire o scendere dalle scale o per superare singoli gradini è necessaria la presenza di almeno due persone.

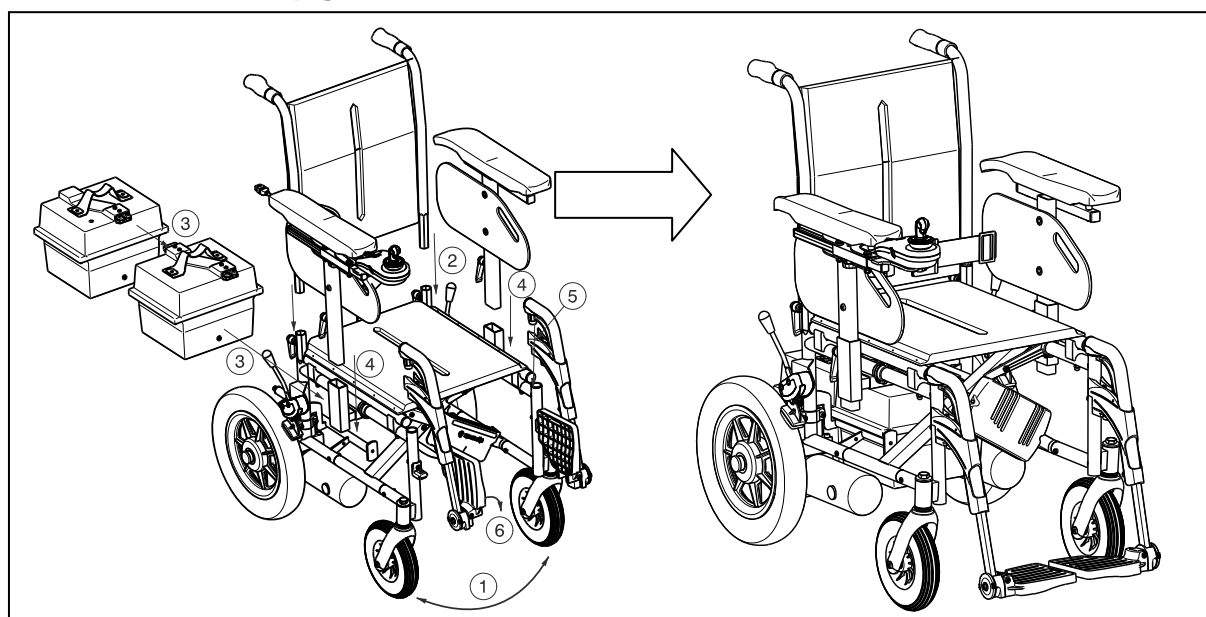
In alternativa, è possibile smontare la carrozzina e In alternativa, è possibile smontare la carrozzina e trasportare le diverse parti (telaio, poggiaabbraccia, poggiapiedi, vani batteria e schienale) nel luogo desiderato. Afferrare la carrozzina solo tramite le parti fisse del telaio, non afferrare mai i poggiapiedi, i poggiaabbraccia e le ruote.

2.3 Montaggio e smontaggio della carrozzina elettrica

La carrozzina elettrica viene fornita completamente montata. Il rivenditore provvederà a montare la carrozzina in modo completo e a illustrare i vari componenti e il rispettivo utilizzo. Tuttavia, per garantire la sicurezza dell'utilizzatore, in questo documento viene fornita una descrizione dettagliata delle varie parti della carrozzina.

2.3.1 Montaggio della carrozzina elettrica

⚠ ATTENZIONE: Rischio di schiacciamento – Accertarsi che nessun cavo rimanga schiacciato o impigliato.



Per montare la carrozzina elettrica:

1. Aprire la carrozzina (paragrafo 2.4).
2. Montare lo schienale (paragrafo 2.5).
3. Montare i due vani batteria (paragrafo 2.6).
4. Montare i braccioli (paragrafo 2.7).
5. Montare i poggiapiedi (paragrafo 2.8).
6. Piegarle le pedane dei poggiapiedi verso il basso.

Per smontare la carrozzina elettrica, seguire le istruzioni precedenti in ordine inverso.

2.4 Ripiegare o aprire la carrozzina

⚠ ATTENZIONE: rischio di schiacciamento - Allontanare dita, indumenti, cinture dalle parti mobili della carrozzina, ad esempio dalle parti pieghevoli del telaio.

Per aprire la carrozzina:

1. Posizionarsi dietro la carrozzina.
2. Utilizzare le impugnature per aprire la carrozzina il più possibile.
3. Posizionarsi davanti alla carrozzina.
4. Premere entrambi i profilati tubolari della seduta verso il basso fino a quando non risultano fissati nella posizione corretta.
5. Collocare i vani batteria sulle guide.

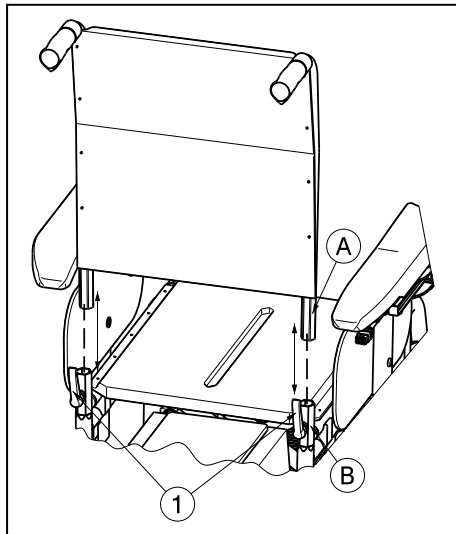
Per ripiegare la carrozzina:

1. Rimuovere i vani batteria.
2. Ripiegare o rimuovere le pedane poggiapiedi (vedere la sezione § 2.8).
3. Afferrare il sedile dalla parte anteriore e dallo schienale e tirarlo verso l'alto.

2.5 Montaggio o rimozione dello schienale

- ⚠ **AVVERTENZA:** rischio di lesioni - Assicurarsi che entrambi i perni di sicurezza ① siano ben fissati.
- ⚠ **ATTENZIONE:** rischio di schiacciamento - Allontanare le dita dai profilati tubolari dello schienale della carrozzina.

Per trasportare la carrozzina, è possibile rimuovere completamente lo schienale e posizionarlo sul sedile.



Per montare lo schienale sulla carrozzina elettrica:

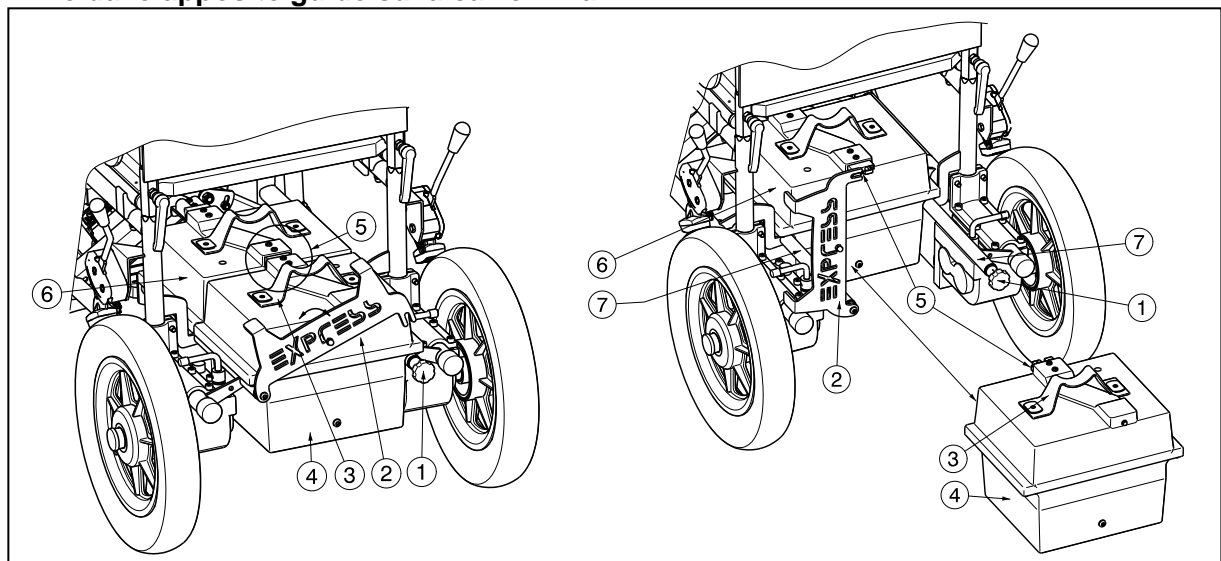
1. Accertarsi che i perni di sicurezza ① non siano fissati, in caso contrario allentarli ①.
2. Inserire i profilati tubolari dello schienale A nei profilati tubolari esagonali del telaio B.
3. Serrare i perni di sicurezza ① adeguatamente.

Per rimuovere lo schienale della carrozzina elettrica:

1. Ruotare i perni di sicurezza ① fino a rimuoverli.
2. Sfilare i profilati tubolari dello schienale A dai profilati tubolari esagonali del telaio B.
3. Collocare lo schienale sul sedile per il trasporto.

2.6 Montaggio o rimozione del vano batteria

- ⚠ **ATTENZIONE:** rischio di schiacciamento - Allontanare le dita dal vano batteria e dalle apposite guide sulla carrozzina.



Per montare i vani batteria sulla carrozzina elettrica:

1. Afferrare la maniglia ③ del primo vano batteria (senza fusibile termico) ⑤.
2. Sollevare il vano batteria ⑤ sui binari laterali ⑦ della carrozzina.
3. Posizionare il vano batteria ⑤ il più possibile sotto il sedile.
4. Verificare che i connettori (batteria, modulo di potenza) si adattino gli uni con gli altri.
5. Afferrare la maniglia ③ del vano batteria (con il fusibile termico) ④.

6. Sollevare il vano batteria ⑤ sui binari laterali ⑦ della carrozzina.
7. Posizionare il vano batteria ④ all'indietro.
8. Verificare che i connettori della batteria ⑤ fsi adattino gli uni con gli altri
9. Ruotare la piastra ② verso il basso.
10. Stringere nuovamente la manopola ①.

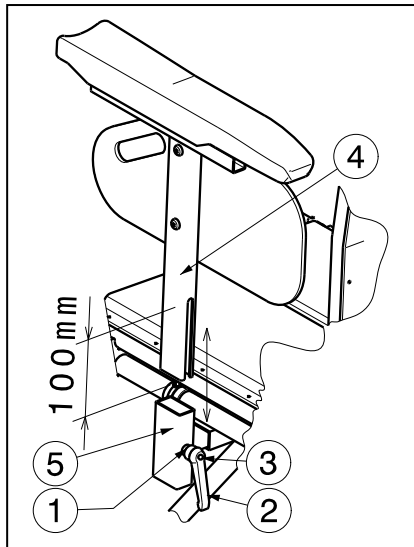
Per rimuovere i vani batteria dalla carrozzina elettrica:

1. Allentare la manopola a stella ①.
2. Ruotare la piastra ② verso l'alto e verso sinistra.
3. Afferrare la maniglia ③ del primo vano batteria (con fusibile termico) ④.
4. Far scivolare il vano batteria all'indietro fino a quando i connettori ⑤ si allentano.
5. Rimuovere il vano batteria dalle guide ④.
6. Far scivolare il secondo vano batteria ⑥ all'indietro fino a quando si riesce ad estrarre.
7. Sollevare e togliere il secondo vano batteria ⑥ dalla carrozzina.

2.7 Montaggio o rimozione di poggiaabbraccia

- ⚠ **AVVERTENZA:** rischio di lesioni - Accertarsi che i perni di sicurezza ① siano fissati adeguatamente prima di utilizzare la carrozzina.
- ⚠ **AVVERTENZA:** rischio di ribaltamento - verificare che i poggiaabbraccia siano posizionati alla stessa altezza su entrambi i lati.
- ⚠ **ATTENZIONE:** rischio di schiacciamento - Allontanare dita, indumenti, cinture dai punti di aggancio dei poggiaabbraccia.

È possibile rimuovere i poggiaabbraccia per consentire il movimento laterale del paziente, i poggiaabbraccia possono essere rimossi anche per scopi terapeutici o per trasferire il paziente dalla carrozzina.



Per montare i poggiaabbraccia sulla carrozzina elettrica:

1. Montare il poggiaabbraccia ④ nel profilato tubolare di forma rettangolare ⑤.
2. Serrare l'impugnatura ① adeguatamente. Se la leva dell'impugnatura ② si trova in una posizione pericolosa, premere sul pulsante ③ dell'impugnatura e posizionare la leva ② in modo da evitare il rischio di lesioni alle mani.

Per rimuovere i poggiaabbraccia dalla carrozzina elettrica:

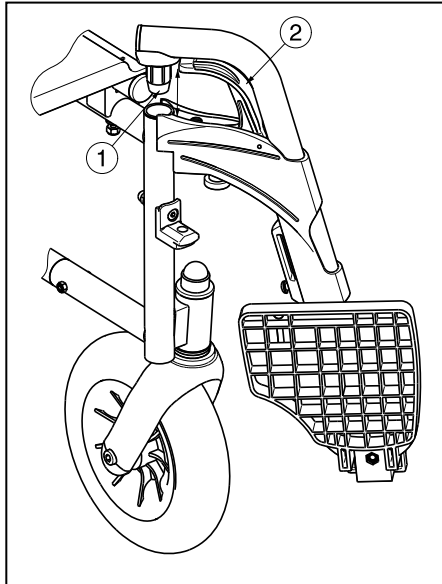
1. Ruotare l'impugnatura ① fino a sganciarla. Se la leva dell'impugnatura ② si trova in una posizione pericolosa, premere sul pulsante ③ dell'impugnatura e posizionare la leva ② in modo da evitare il rischio di lesioni alle mani.
2. Rimuovere il poggiaabbraccia ④ dal profilato tubolare di forma rettangolare ⑤.

Per la regolazione dei poggiaabbraccia sono disponibili diverse altezze con intervallo di 90 mm (senza incrementi fissi). Mantenere una distanza di sicurezza di 10 mm dalla base del poggiaabbraccia.

1. Allentare leggermente la leva ①.
2. Fare scorrere i profilati tubolari rettangolari ④ e ⑤ fino a raggiungere l'altezza desiderata per il poggiaabbraccia.
3. Serrare nuovamente la leva ① manualmente.
4. Verificare che la leva ① sia fissata saldamente.
5. Regolare il secondo poggiaabbraccia seguendo gli stessi passaggi.

2.8 Montaggio o rimozione dei poggiapiedi

⚠ ATTENZIONE: rischio di lesioni - Accertarsi che i poggiapiedi siano fissati saldamente.



Montare i poggiapiedi nel modo seguente:

1. Reggere il poggiapiedi lateralmente dalla parte esterna del telaio della carrozzina e inserire la chiusura del profilato tubolare ① nel telaio.
2. Ruotare il poggiapiedi verso l'interno fino a quando non scatta nella posizione corretta.
3. Ruotare la pedana verso il basso.
4. Verificare che lo poggiapiedi sia fissato saldamente.

Per rimuovere i poggiapiedi:

1. Tirare l'impugnatura ②.
2. Ruotare il poggiapiedi verso l'esterno della carrozzina finché non si sgancia dalla guida.
3. Sfilare la pedana dalla chiusura del profilato tubolare ①.

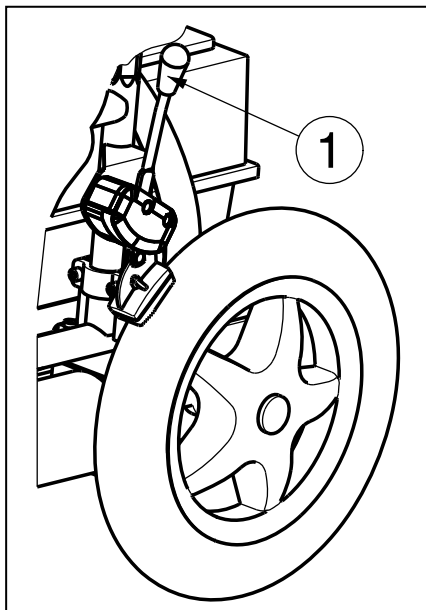
2.9 Utilizzo dei freni di stazionamento

Ogni ruota motrice della carrozzina elettrica dispone di freni di stazionamento standard.

⚠ AVVERTENZA: Non utilizzare i freni per rallentare la carrozzina durante la marcia, utilizzarli solo per prevenire movimenti indesiderati della carrozzina.

⚠ AVVERTENZA: Sull'adeguato funzionamento dei freni incidono l'usura e la mancanza di pulizia delle ruote, ad esempio presenza di acqua, olio o fango. Verificare le condizioni delle ruote prima di ogni utilizzo.

⚠ AVVERTENZA: I freni sono regolabili e possono usurarsi. Verificare il funzionamento dei freni prima di ogni utilizzo.



Per frenare:

1. Spingere le impugnature dei freni in avanti ① fino a sentire un clic distinto.

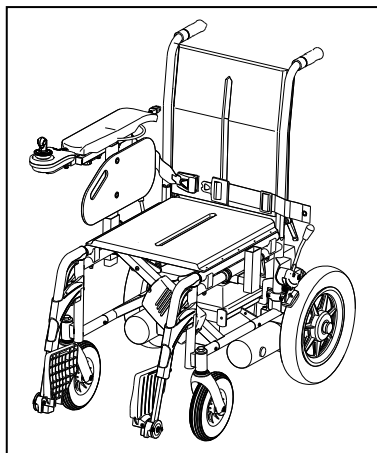
⚠ ATTENZIONE: Rischio di movimenti indesiderati - Accertarsi che la carrozzina sia su una superficie piana prima di rilasciare i freni. Non rilasciare mai entrambi i freni contemporaneamente.

Per rilasciare i freni:

1. Rilasciare un freno tirando l'impugnatura ① all'indietro.
2. Rilasciare l'altro freno tirando le impugnature all'indietro.

2.10 Trasferimento della carrozzina all'interno e all'esterno

- ⚠ **AVVERTENZA:** Prima di salire o scendere, spegnere la carrozzina.
- ⚠ **ATTENZIONE:** Nel caso in cui non si riesca a eseguire il trasferimento in modo sicuro, chiedere assistenza.
- ⚠ **ATTENZIONE:** rischio di lesioni - Non utilizzare joystick, pedane, poggibraccia come supporto.
- ⚠ **ATTENZIONE:** Rischio di ribaltamento della carrozzina - Non stare in piedi sui poggiapiedi.



1. Posizionare la carrozzina il più vicino possibile al posto verso cui si desidera effettuare il trasferimento.
2. Verificare che l'unità di comando sia spenta. Accertarsi che la carrozzina NON sia in modalità di scorrimento libero.
3. Ripiegare le pedane verso l'alto per evitarne l'utilizzo come punto di appoggio.
4. Se il trasferimento avviene sul fianco della carrozzina, rimuovere il poggibraccia interessato.
5. Effettuare il trasferimento da/verso la carrozzina elettrica.

2.11 Posizione corretta nella carrozzina elettrica

Alcuni consigli per un utilizzo confortevole della carrozzina elettrica:

1. Posizionare la schiena il più vicino possibile allo schienale.
2. Accertarsi che le cosce siano in posizione orizzontale, se necessario regolare la lunghezza dei poggiapiedi.

2.12 Guida della carrozzina elettrica

- ⚠ **AVVERTENZA:** pericolo di ustioni - Prestare attenzione in caso di permanenza in ambienti molto caldi o molto freddi (esposizione al sole, freddo estremo, ecc.) per un periodo di tempo prolungato. Le superfici potrebbero assumere la stessa temperatura dell'ambiente in cui si trova la carrozzina.
- ⚠ **AVVERTENZA:** pericolo di impostazioni non sicure - Utilizzare solo le impostazioni descritte nel presente manuale.

2.12.1 Preparazione della carrozzina elettrica per l'uso

Se si intende utilizzare la carrozzina, accertarsi che si trovi su una superficie piana. Tutte le ruote devono essere a contatto con il suolo.

1. Accertarsi che la modalità a scorrimento libero sia DISATTIVATA e che l'unità di comando sia spenta.
2. Regolare la carrozzina nel modo più confortevole.
3. Posizionare l'unità di comando dell'operatore nella posizione più comoda.
4. Sedersi nella carrozzina e verificare che entrambi i braccioli siano stati regolati in modo che gli avambracci siano piegati.
5. Azionare la carrozzina utilizzando il pulsante di avvio/arresto dell'unità di comando dell'operatore.

Impostare il controllo della velocità sull'unità dell'operatore sul valore minimo. La carrozzina elettrica è pronta per l'uso.

2.12.2 Al termine dell'utilizzo

Prima di scendere dalla carrozzina elettrica accertarsi che tutte le quattro ruote siano a contatto con il suolo.

Premere il pulsante di avvio/arresto dell'unità di comando dell'operatore, il display dell'unità di comando dovrebbe spegnersi.

2.13 Utilizzo dei freni elettromagnetici

Per arrestare la carrozzina, rilasciare il joystick.

2.13.1 Parcheggio della carrozzina elettrica

Dopo avere spento la carrozzina elettrica, non sarà possibile inviare alcun comando al sistema di guida. Parcheggiare sempre la carrozzina elettrica in luoghi a cui è facile accedere e su superfici piane in cui le quattro ruote toccano il suolo.

2.13.2 Unità di comando

Le istruzioni d'uso dei controlli per l'operatore sono disponibili nei manuali per l'utente relativi all'unità di comando fornita con la carrozzina.

Modifiche al software possono essere apportate solo da Vermeiren. Per modifiche al software contattare Vermeiren.

2.13.3 Regolazione dell'unità di comando dell'operatore

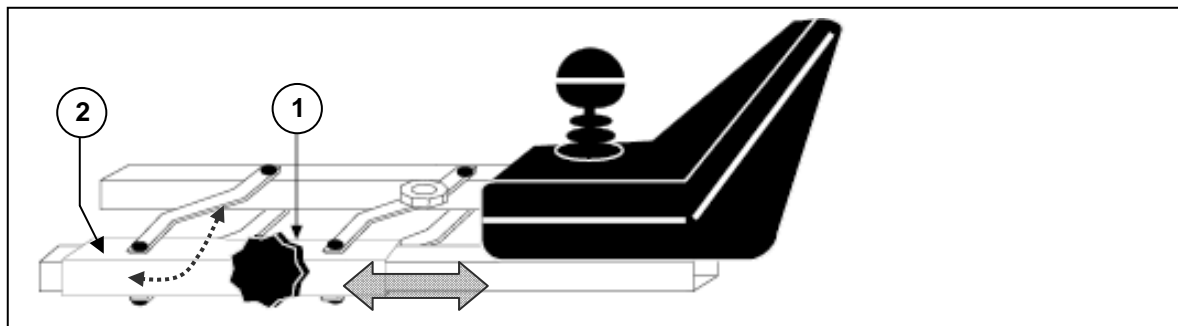
⚠ ATTENZIONE: rischio di schiacciamento - Durante le operazioni di posizionamento, allontanare le dita dall'unità di comando e dagli altri componenti.

La posizione orizzontale dell'unità di comando può essere modificata.

1. Allentare leggermente la vite ① sotto il bracciolo.
2. Spostare l'unità di comando nella posizione desiderata oppure rimuoverla.
3. Serrare nuovamente la vite ① in modo saldo.

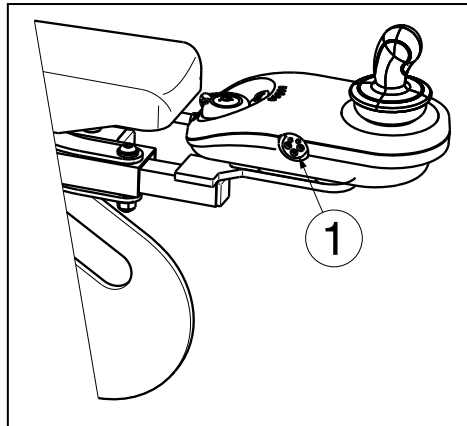
Spingendo la vite ① lateralmente, è possibile ruotare l'unità di comando verso lo stesso lato di spinta.

NOTA: In base alle caratteristiche dalla carrozzina, la vite ① potrebbe essere collocata anche sotto al profilato tubolare della guida ②.



2.13.4 Connettori per caricabatteria e unità di programmazione

⚠ AVVERTENZA: rischio di lesioni - Prima di mettere in moto la carrozzina, verificare che siano stati scollegati tutti i connettori (caricabatteria e unità di programmazione).



La presa ① per il collegamento del caricatore di serie si trova sulla parte frontale dell'unità di comando. In questa stessa posizione, si trova l'attacco per l'unità di programmazione che deve essere collegata e utilizzata solo da personale autorizzato ed esperto in programmazione (personale Vermeiren).

Quando si aziona il tasto Marcia / Arresto, verificare che la leva di comando si trovi in posizione centrale, altrimenti l'elettronica si blocca. Per sbloccare l'elettronica, disattivare l'unità di comando e riattivarla.

2.13.5 Il primo viaggio

⚠ AVVERTENZA: controllare la carrozzina elettrica - Familiarizzare con il comportamento della carrozzina in fase di marcia.

- Marcia

Dopo essersi seduti nella carrozzina elettrica e averla impostata come descritto in precedenza, impugnare il joystick e spingerlo nella direzione desiderata, ad esempio:

AZIONE DI SPINTA IN AVANTI = MARCIA IN AVANTI
AZIONE DI SPINTA INDIETRO = RETROMARCIA

- Arresto

Per frenare, rilasciare il joystick che tornerà in posizione neutra. Rallentare quindi la carrozzina elettrica fino a un arresto graduale. Provare a frenare e a fermarsi più volte fino ad acquisire sicurezza nell'esecuzione di queste operazioni con la carrozzina elettrica. È necessario essere in grado di prevedere il comportamento della carrozzina in fase di marcia o frenata.

- Guida in prossimità di angoli o curve

⚠ AVVERTENZA: rischio di ribaltamento - Ridurre la velocità in prossimità di curve o angoli.

⚠ AVVERTENZA: rischio di schiacciamento - Mantenere sempre una distanza adeguata dagli angoli o dagli ostacoli.

Muovere il joystick nella direzione verso la quale si desidera girare. Le ruote anteriori gireranno di conseguenza e la carrozzina elettrica si muoverà nella nuova direzione desiderata. È molto importante assicurarsi che vi sia spazio a sufficienza per consentire la marcia in prossimità di angoli o curve. Si consiglia di affrontare i passaggi stretti impostando curve ampie in modo da poter attraversare il punto più stretto con la carrozzina il più possibile dritta.

Non impegnare curve o angoli con un percorso in diagonale. Se si tenta di 'tagliare l'angolo', è possibile che le ruote posteriori incorrano in ostacoli e che la carrozzina elettrica venga destabilizzata.

2.13.6 Retromarcia

- ⚠ **AVVERTENZA:** controllare la carrozzina elettrica - Familiarizzare con il comportamento della carrozzina in fase di marcia.
- ⚠ **AVVERTENZA:** controllare la velocità - In fase di retromarcia, procedere sempre alla velocità minima.
- ⚠ **AVVERTENZA:** rischio di collisione - Durante la retromarcia, guardare sempre indietro.

La guida in retromarcia richiede maggiore attenzione e concentrazione. Per questo motivo la velocità degli spostamenti in retromarcia è stata ridotta notevolmente rispetto a quella della marcia in avanti. Tuttavia, durante la retromarcia è sempre preferibile impostare la velocità minima.

Durante la retromarcia, i controlli destra e sinistra funzionano in modo inverso.

2.13.7 Marcia in salita

- ⚠ **AVVERTENZA:** controllare la carrozzina elettrica - Familiarizzare con il comportamento della carrozzina in fase di marcia.
- ⚠ **AVVERTENZA:** controllare la carrozzina elettrica - Non impostare mai il folle se la carrozzina si trova su una pendenza.
- ⚠ **AVVERTENZA:** controllare la velocità - Sulle pendenze spostarsi il più lentamente possibile.
- ⚠ **AVVERTENZA:** rischio di ribaltamento - Non superare il gradiente massimo di stabilità statica e dinamica in salita. Vedere il paragrafo "Specifiche tecniche".
- ⚠ **AVVERTENZA:** Non fare mai retromarcia in salita.

Affrontare le salite sempre frontalmente. Per evitare il rischio di ribaltamento, accertarsi che tutte le quattro ruote siano sempre a contatto con il suolo (rampe, accessi carrabili, ecc.).

Se ci si ferma su una pendenza rilasciando il joystick, il freno a motore impedirà alla carrozzina elettrica di scivolare all'indietro. Il freno a motore viene attivato non appena il joystick torna in posizione neutra.

Per riprendere la marcia in salita, spingere il joystick in avanti il più possibile per garantire una potenza di spinta sufficiente. Questa operazione consentirà alla carrozzina elettrica di riprendere lentamente la marcia in salita.

Se la carrozzina non è in grado di affrontare la salita, aumentare la velocità tramite l'apposito controllo e riprovare.

2.13.8 Marcia in discesa

- ⚠ **AVVERTENZA:** controllare la carrozzina elettrica - Familiarizzare con il comportamento della carrozzina in fase di marcia.
- ⚠ **AVVERTENZA:** controllare la carrozzina - Non impostare mai il folle se la carrozzina si trova su una pendenza.
- ⚠ **AVVERTENZA:** controllare la velocità - Sulle pendenze spostarsi il più lentamente possibile.
- ⚠ **AVVERTENZA:** rischio di ribaltamento - Evitare curve molto strette.
- ⚠ **AVVERTENZA:** rischio di ribaltamento - Non superare il gradiente massimo di stabilità statica e dinamica in discesa. Vedere il paragrafo "Specifiche tecniche".

Affrontare sempre le discese frontalmente. La marcia in direzione trasversale potrebbe determinare la perdita di contatto con il suolo di una o più ruote con conseguente rischio di ribaltamento.

Il peso della carrozzina determina un aumento della velocità in discesa. Ridurre la velocità tramite l'unità di comando dell'operatore.

Evitare curve molto strette durante una discesa. Il peso della carrozzina elettrica potrebbe causare il sollevamento di uno dei fianchi o il ribaltamento in curva.

2.14 Guida della carrozzina elettrica sulle scale

- ⚠ AVVERTENZA: Rischio di lesioni – Durante il trasporto, sedere tranquillamente in carrozzina, evitando movimenti bruschi. Se a causa della malattia o della disabilità, questo non è possibile, ad esempio nei casi di spasticità lieve, saranno necessarie almeno due persone per mettere in sicurezza la carrozzina su entrambi i lati afferrando le parti fisse del telaio.**
- ⚠ AVVERTENZA: rischio di lesioni - Indossare cinture di sicurezza appropriate durante il trasporto. Informazioni disponibili presso il rivenditore specializzato.**
- ⚠ AVVERTENZA: Rischio di lesioni - Durante il trasporto, fare attenzione che braccia e gambe non sporgano dalla carrozzina.**

Per salire o scendere dalle scale con la carrozzina, è necessario utilizzare un sistema di sollevamento o apposite rampe.

2.15 Guida della carrozzina elettrica sulle rampe

- ⚠ AVVERTENZA: Rischio di lesioni - Non superare il carico massimo sulle rampe.**
- ⚠ AVVERTENZA: rischio di lesioni - Per evitare danni o lesioni, scegliere il modello di rampe appropriato.**
- ⚠ AVVERTENZA: Rischio di lesioni - Accertarsi che l'altezza delle ruote sia sufficiente per superare il dislivello iniziale della rampa. Il telaio della carrozzina elettrica non deve venire a contatto con la rampa.**
- ⚠ AVVERTENZA: Rischio di lesioni - Utilizzare la cintura di sicurezza nella carrozzina.**
- ⚠ AVVERTENZA: rischio di ribaltamento - Impostare le funzioni di regolazione (sedile, schienale, poggiatesta, ecc.) in modo da garantire la massima stabilità della carrozzina.**

Se per superare un ostacolo si utilizza una rampa, osservare le seguenti precauzioni:

1. Verificare il carico massimo stabilito dal produttore per l'utilizzo di rampe.
2. Percorrere le rampe alla velocità minima necessaria.
3. Consultare le istruzioni incluse nel capitolo "Il primo viaggio".

Se la carrozzina elettrica dispone di funzioni di regolazione, per garantirne la stabilità accertarsi che:

1. Il sedile si trovi nella posizione orizzontale più bassa possibile.
2. Lo schienale sia in posizione eretta.
3. I poggiatesta siano disposti in modo da non provocare collisioni durante il superamento dell'ostacolo.

Se spinti da un accompagnatore, tenere presente che l'elevato peso della carrozzina aumenta il rischio di spinta all'indietro.

2.16 Spinta della carrozzina




- ⚠ **AVVERTENZA:** controllare la carrozzina elettrica - Non impostare mai il folle durante la marcia.
- ⚠ **AVVERTENZA:** controllare la carrozzina elettrica - Non impostare mai il folle se la carrozzina si trova su una pendenza. La carrozzina potrebbe scivolare via accidentalmente.

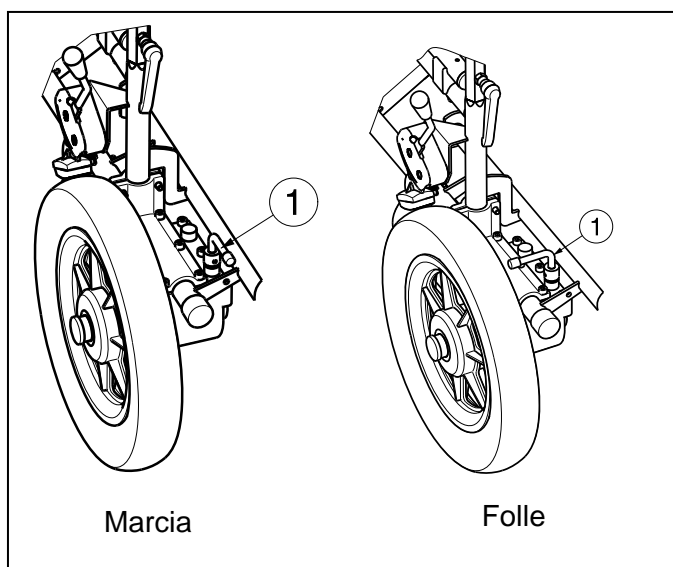
La carrozzina deve essere predisposta con un dispositivo a scorrimento libero accessibile e attivabile solo dall'accompagnatore.

2.16.1 Motori a 150 W - 6 km/h

Durante la regolazione delle leve ① di entrambi i motori, impostare la marcia in folle. Le leve sono situate sul retro del telaio della carrozzina elettrica.

Innestare o disinnestare la frizione attenendosi alle istruzioni riportate di seguito.

-  **MARCIA**
Tirare le leve di regolazione ① di entrambi i motori verso la posizione di guida. Rilasciare i freni di stazionamento. Spostare l'unità di comando verso l'esterno e verso l'interno. A questo punto è possibile controllare la marcia in modo elettronico.
-  **FOLLE**
Tirare le leve di regolazione ① di entrambi i motori verso la posizione in folle, verrà attivata la modalità di scorrimento libero. A questo punto è possibile spingere la carrozzina senza controllare la marcia in modo elettronico.
-  Se in modalità a scorrimento libero, il freno elettronico è disattivato e la carrozzina non viene frenata. Non attivare la modalità a scorrimento libero sulle pendenze.



- ⚠ Se la modalità a scorrimento libero è attivata, il sistema frenante elettromagnetico verrà disattivato, pertanto la carrozzina potrebbe muoversi in modo imprevisto. Non posizionare la carrozzina su pendenze o terreni accidentati, potrebbe sposarsi accidentalmente.
- ⚠ Se il simbolo di blocco del sistema elettronico lampeggia, ciò indica che non è possibile utilizzare la marcia controllata elettronicamente.

2.17 *Transporto in auto*

- ⚠ **PERICOLO:** rischio di lesioni - Non è consentito utilizzare la carrozzina in sostituzione degli appositi seggiolini per il trasporto in auto.
- ⚠ **AVVERTENZA:** rischio di lesioni - Assicurarsi che sotto la carrozzina elettrica non vi siano persone o oggetti durante il trasporto.
- ⚠ **AVVERTENZA:** rischio di lesioni - Controllare che la carrozzina sia fissata in modo adeguato in modo da evitare lesioni ai passeggeri in caso d'urto o di frenate improvvise. Accertarsi che i sistemi di fissaggio siano applicati a parte fisse del telaio.
- ⚠ **AVVERTENZA:** rischio di lesione - **NON** utilizzare la stessa cintura di sicurezza per il passeggero e per la carrozzina.

Non utilizzare mai la carrozzina in sostituzione degli appositi seggiolini in un'automobile o in altri veicoli. Sulla carrozzina deve essere presente il simbolo seguente:



Per il trasporto della carrozzina in auto, attenersi alle istruzioni seguenti:

Il modo migliore per trasportare la carrozzina elettrica nell'auto è guidarla all'interno del veicolo tramite le apposite rampe.

Se non ci si sente sicuri nella guida sulle rampe, è anche possibile impostare la modalità a scorrimento libero e spingere la carrozzina nell'auto utilizzando le rampe.

Se la carrozzina è troppo grande per poter essere collocata all'interno dell'auto, è anche possibile trasportarla attenendosi alle istruzioni seguenti:

1. Rimuovere tutte le parti mobili (poggiapiedi, poggiaabbraccia, vani batteria, ecc.).
2. Riporre le parti in un posto sicuro.
3. Collocare la carrozzina elettrica nell'auto con l'aiuto di due persone sollevandola afferrando le parti fisse del telaio.
4. Fissare saldamente le parti fisse del telaio al veicolo.
5. Impostare la modalità di guida per la carrozzina (innestare i freni di stazionamento) e verificare che l'unità di comando dell'operatore sia spenta.

2.18 *Trasporto in aereo*

La carrozzina elettrica può essere trasportata in aereo. Effettuare il check-in della carrozzina elettrica al banco della compagnia aerea. Informare per tempo la compagnia aerea della necessità di trasportare la carrozzina. Non è consentito utilizzare la carrozzina elettrica in sostituzione degli appositi sedili per il trasporto in aereo. La carrozzina deve essere riposta insieme ai bagagli.

Per trasportare la carrozzina in aereo, tenere presente i requisiti seguenti:

1. **Tipo e caratteristiche della carrozzina (joystick, batterie)**

La carrozzina è dotata di batterie al gel o pile a secco. In genere questo tipo di batterie non deve essere rimosso dalla carrozzina. È sufficiente scollegare e isolare i connettori elettrici delle batterie.

2. **Dimensioni e peso della carrozzina**

Le dimensioni e il peso consentiti per la carrozzina dipendono dal tipo di aereo.

3. **Danni alla carrozzina**

È possibile che la carrozzina venga danneggiata poiché riposta in uno spazio di piccole dimensioni insieme ai bagagli e ad altri oggetti.

Per evitare il rischio di danneggiamento alla carrozzina:

- Impostare le regolazioni standard per la carrozzina, ovvero colonna di sollevamento abbassata il più possibile, sedile in posizione orizzontale, schienale inclinato in avanti il più possibile.

- Ripiegare le pedane poggiapiedi verso l'alto e i poggibraccia verso l'interno il più possibile.
- Verificare che le leve di regolazione siano posizionate verso l'interno.
- Avvolgere l'unità di comando dell'operatore con un panno morbido per proteggerlo da colpi o urti accidentali.

Prima del viaggio, contattare la compagnia aerea per informazioni sui requisiti di trasporto delle carrozzine in aereo.

2.19 Batterie

Lo standard per la carrozzina elettrica è di due batterie AGM sigillate di 12 V/38 Ah o 50 Ah. Le batterie utilizzate con la carrozzina elettrica sono destinate alla guida e raggiungono la potenza massima solo dopo alcuni cicli di carica e utilizzo.

Se le batterie si scaricano dopo un utilizzo prolungato o si danneggiano, occorre sostituirle entrambe presso un rivenditore autorizzato.

La casa costruttrice declina ogni responsabilità in caso di danni provocati dall'uso di batterie non originali.

In caso di apertura della batteria, la casa costruttrice declina ogni responsabilità e la garanzia decade.

Non utilizzare le batterie a temperature inferiori a -5° C o superiori a +50° C, la temperatura ottimale è +20°C).

Utilizzare solo batterie originali. La casa produttrice declina ogni e qualsiasi responsabilità per danni o lesioni derivanti da batterie non originali.

2.20 Caricabatterie

Per caricare le batterie, utilizzare solo il caricabatterie fornito con la carrozzina.

Per ulteriori informazioni sul caricabatterie, consultare il manuale fornito con il prodotto.

2.21 Carica della batteria

⚠ ATTENZIONE: rischio di lesioni - Per la carica, utilizzare solo il caricabatterie fornito con le batterie.

Il caricatore consente di allineare la curva di carico con il livello di carica delle batterie, pertanto è possibile ricaricare la carrozzina dopo ogni utilizzo. Questo consente di evitare una carica eccessiva della batteria e il cosiddetto "effetto memoria".

Al più tardi, ricaricare la carrozzina quando l'indicatore di carica sull'unità di comando raggiunge il rosso. Se si procede senza caricare, si accenderà solo l'ultimo LED rosso e lampeggerà in continuazione per segnalare che le batterie sono quasi completamente scariche. Se si ignora questo segnale, dopo breve tempo verrà visualizzato un messaggio d'errore per indicare che le batterie non hanno più potenza sufficiente per la marcia. Le batterie dovranno pertanto essere ricaricate prima della visualizzazione di tali messaggi utilizzando il caricabatterie fornito. In ogni caso, evitare che le batterie si scarichino completamente.

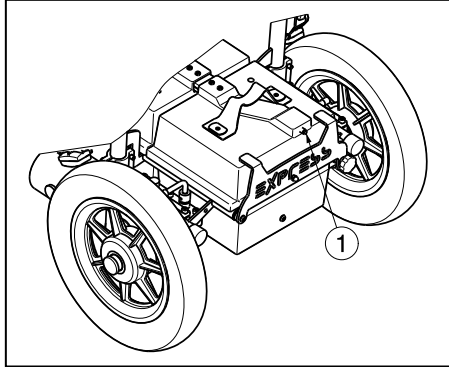
Per il corretto utilizzo del carica batterie consultare l'apposito manuale.

Se si prevede di non utilizzare la carrozzina per un lungo periodo di tempo, occorre ricaricare le batterie regolarmente per mantenere la carrozzina sempre funzionante.

La casa costruttrice declina ogni responsabilità per danni derivanti da carica impropria.

Per ulteriori informazioni, consultare il manuale fornito con il caricabatterie.

2.22 Fusibile termico



Per proteggere il motore da sovraccarichi, sul retro del primo vano batteria è collocato un meccanismo termico di sicurezza ① che regola l'arresto automatico del motore per impedirne il surriscaldamento e di conseguenza danni, usura o rotture anzitempo. Questa situazione potrebbe verificarsi in caso di salite o discese con pendenza superiore al gradiente massimo indicato. L'azionamento del meccanismo di sicurezza potrebbe essere innescato anche da carichi nominali superiore ai valori massimi consentiti.

Per poter utilizzare nuovamente la carrozzina elettrica, rimuovere il sovraccarico e attendere il raffreddamento del motore. Riposizionare quindi delicatamente il meccanismo termico di sicurezza. La carrozzina elettrica è pronta per l'uso.

3 Installazione e regolazione

Le istruzioni contenute nel presente capitolo sono destinate al rivenditore solo.

Il modello di carrozzina elettrica Express VB è a trazione anteriore.

- ⚠ **AVVERTENZA: Rischio di regolazioni non sicure - Utilizzare solo le regolazioni descritte in questo manuale.**
- ⚠ **AVVERTENZA: rischio di ribaltamento - La variazione delle regolazioni consigliate può modificare la stabilità della carrozzina con rischio di ribaltamenti laterali o posteriori.**

3.1 Attrezzi

Per montare la carrozzina sono necessari i seguenti strumenti.

- Set di chiavi dal n° 10
- Chiavi a brugola n° 4 e n° 5

3.2 Modalità di consegna

La carrozzina elettrica viene distribuita con:

- telaio con poggiaabbraccia, unità di comando dell'operatore, ruote anteriori e posteriori, sedile e schienale
- 1 coppia di poggiapiedi
- 2 batterie destinate alla guida separate + vani batteria, 2 motori di guida
- Caricabatterie + Caricabatterie manuale
- Elettronica
- Attrezzi
- unità di comando + unità di comando manuale
- Accessori

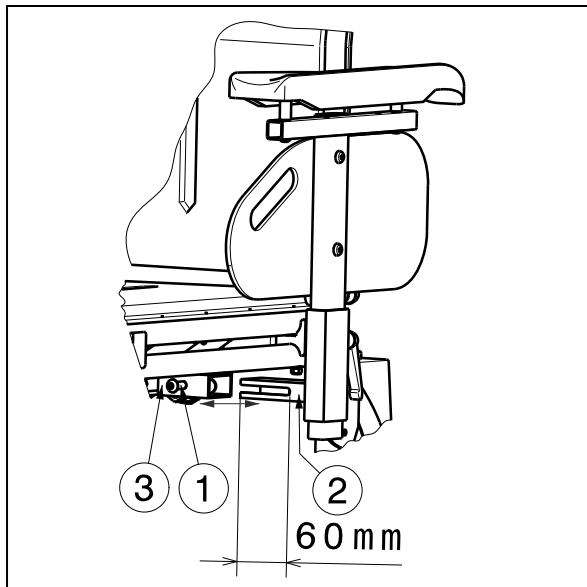
Prima dell'uso, controllare che tutti i componenti siano inclusi e che non siano stati danneggiati, ad esempio durante il trasporto. Si noti che nei vari paesi europei la dotazione di base potrebbe variare. Rivolgersi al rivenditore.

3.3 Regolazioni consentite

- ⚠ **AVVERTENZA:** rischio di lesioni - Prima di effettuare qualsiasi regolazione, spegnere la carrozzina elettrica.
- ⚠ **AVVERTENZA:** rischio di lesioni - Non effettuare mai alcuna regolazione durante la marcia.
- ⚠ **AVVERTENZA:** rischio di lesioni - I freni devono essere regolati solo dal rivenditore specializzato.
- ⚠ **AVVERTENZA:** rischio di lesioni - Prima di utilizzare la carrozzina elettrica, assicurarsi che tutte le viti e le leve siano fissate saldamente in modo manuale.
- ⚠ **ATTENZIONE:** rischio di intrappolamento - Tenere dita, fibbie e indumenti lontani dai punti di aggancio delle parti mobili.

3.3.1 Regolazione del poggiaabbraccia

La larghezza dei poggiaabbraccia può essere regolata in senso orizzontale.



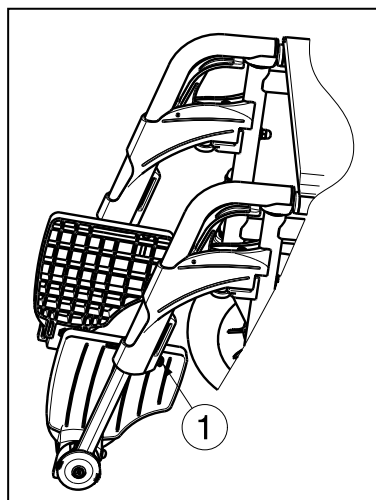
1. Allentare le viti dell'alloggiamento esagonale ① sotto il telaio del sedile.
2. Spostare i poggiaabbraccia in senso orizzontale fino a raggiungere la posizione desiderata facendo scorrere i profilati tubolari quadrati ② e ③ uno sopra l'altro. Intervallo di 60 mm, senza incrementi fissi.
3. Serrare nuovamente le viti ① saldamente.
4. Ripetere questi passaggi per il secondo poggiaabbraccia.

Verificare che i poggiaabbraccia siano posizionati nello stesso modo su entrambi i lati.

3.3.2 Regolazione dei poggiapiedi

* Regolazione della lunghezza:

- ⚠ **ATTENZIONE:** Rischio di danneggiamento - Evitare che i poggiapiedi siano a contatto con il suolo. Tenere una distanza minima di 30 mm dal suolo.



Regolare la lunghezza dei poggiapiedi nel modo seguente:

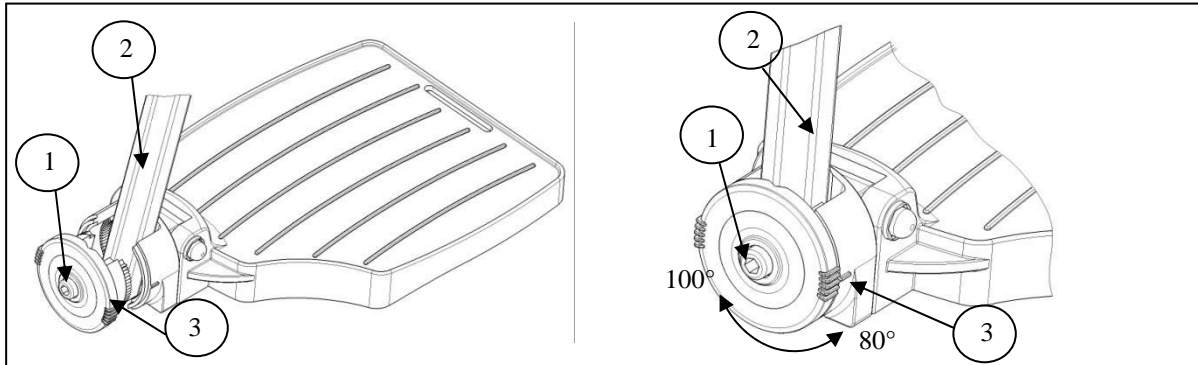
1. Rimuovere la vite ① sul retro della pedana.
2. Regolare la pedana a un'altezza confortevole per il paziente (Intervallo di: 120 mm, senza incrementi fissi).
3. Serrare la vite ① in modo adeguato.

* Regolazione delle pedane:

È possibile utilizzare le pedane in due posizioni. Nella posizione standard sono regolate con la piastra di base in posizione posteriore.

È possibile regolare le pedane verso la parte anteriore invertendo quella destra con quella sinistra.

* Regolazione delle pedane:



Regolare l'inclinazione delle pedane nel modo seguente:

1. Allentare il bullone ①.
2. Regolare il profilato tubolare ② con l'angolazione desiderata. L'indicazione dell'angolazione (80°-85°-90°-95°-100°) è segnalata dai trattini ③.
3. Serrare nuovamente il bullone ①.

3.4 Connettori delle batterie

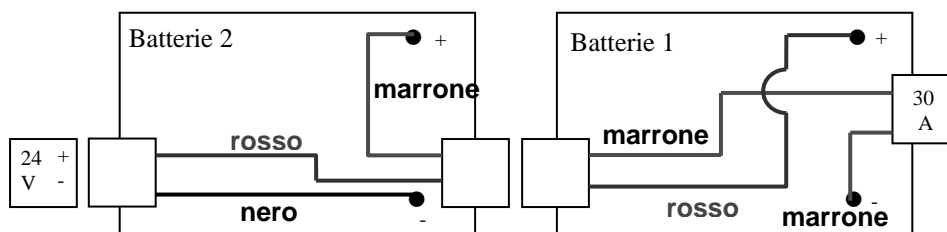
⚠ ATTENZIONE: rischio di lesioni - Accertarsi che non vi sia alcuno strumento o oggetto conduttore tra i poli delle batterie per evitare flussi elettrici accidentali.

⚠ ATTENZIONE: rischio di lesioni o danneggiamento - Non operare con le batterie e i componenti elettronico in ambienti umidi.

Il modo migliore per scollegare le batterie:

1. Scollegare il batterie 1.
2. Scollegare il batterie 2.

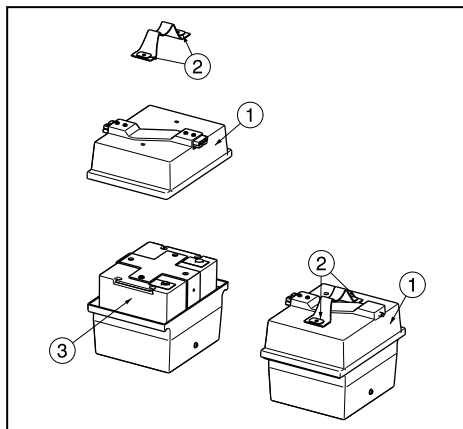
Per ricollegare le batterie, procedere in ordine inverso.



3.5 Sostituzione delle batterie

⚠ ATTENZIONE: pericolo di ustioni – Evitare il contatto con l'acido contenuto nelle batterie. Verificare che il vano batteria sia areato adeguatamente.

La sostituzione della batterie deve essere effettuata da personale esperto.



Per la sostituzione delle batterie, attenersi alle istruzioni indicate di seguito.

1. Estrarre i due vani batteria dalla carrozzina.
2. Rimuovere il coperchio delle batterie ① allentando i bulloni ② sulla maniglia ③.
3. Scollegare tutti i cavi dalle batterie.
4. Rimuovere le batterie ③ dall'apposito vano.
5. Inserire le nuove batterie nell'alloggiamento.
6. Collegare tutti i cavi alle batterie.
7. Riposizionare il coperchio della batteria ① e fissarlo con i bulloni ②.

3.6 Sostituzione degli pneumatici

⚠ ATTENZIONE: Prima di rimuovere il copertone, sgonfiare la camera d'aria.

⚠ ATTENZIONE: rischio di danneggiamento - Se maneggiato in modo scorretto, il cerchione della ruota potrebbe danneggiarsi.

Il montaggio corretto può essere garantito solo da personale esperto. La garanzia decade in caso di montaggio improprio e non effettuato dal rivenditore specializzato.

Utilizzare esclusivamente apparecchiature di gonfiaggio conformi alle normative e con indicazione della pressione in bar. La garanzia decade in caso di danni provocati dall'utilizzo di apparecchiature di gonfiaggio fornite da terze parti.

⚠ AVVERTENZA: rischio di lesioni - Verificare che la pressione sia corretta.

⚠ ATTENZIONE: rischio di lesioni - Accertarsi che oggetti, parti del corpo o profilati tubolari interni non rimangano impigliati tra il copertone e il cerchione durante il montaggio.

- **Ruote direttrici (ruote anteriori)**

Rimozione del copertone dal cerchione:

1. Sgonfiare completamente la camera d'aria.
2. Inserire l'attrezzo smontagomme tra il cerchione e il copertone.
3. Premere lentamente e delicatamente lo smontagomme verso il basso. In questo modo, il copertone fuoriesce dal cerchione.
4. Fare scorrere l'attrezzo lungo il cerchione, il copertone fuoriesce completamente dal cerchione.
5. Rimuovere quindi con delicatezza il copertone e quindi la camera d'aria.

Prima di installare la nuova camera d'aria tenere presente quanto segue:

Verificare che sulla superficie del cerchione e sulla parete interna del copertone non siano presenti corpi estranei e se necessario, pulire accuratamente. Verificare lo stato della superficie del cerchione, soprattutto in corrispondenza del foro della valvola. Utilizzare esclusivamente ricambi originali. La garanzia decade in caso di danni provocati dall'uso di ricambi non originali. Contattare il rivenditore specializzato.

Montaggio del copertone nel cerchione:

Disporre la camera d'aria sgonfia lungo il centro del cerchione. Accertarsi che la valvola sporga dall'apposito foro sul cerchione.



Spingere il copertone lungo il bordo del cerchione, partendo dalla valvola. Gonfiare leggermente la camera d'aria in modo che prenda forma circolare e inserirla nel copertone.



Inserire la camera d'aria completamente e uniformemente nel copertone, in caso di pieghe sfiatare un po' d'aria. Spingere quindi delicatamente la parte superiore del copertone, iniziando dalla valvola, agendo con entrambe le mani.

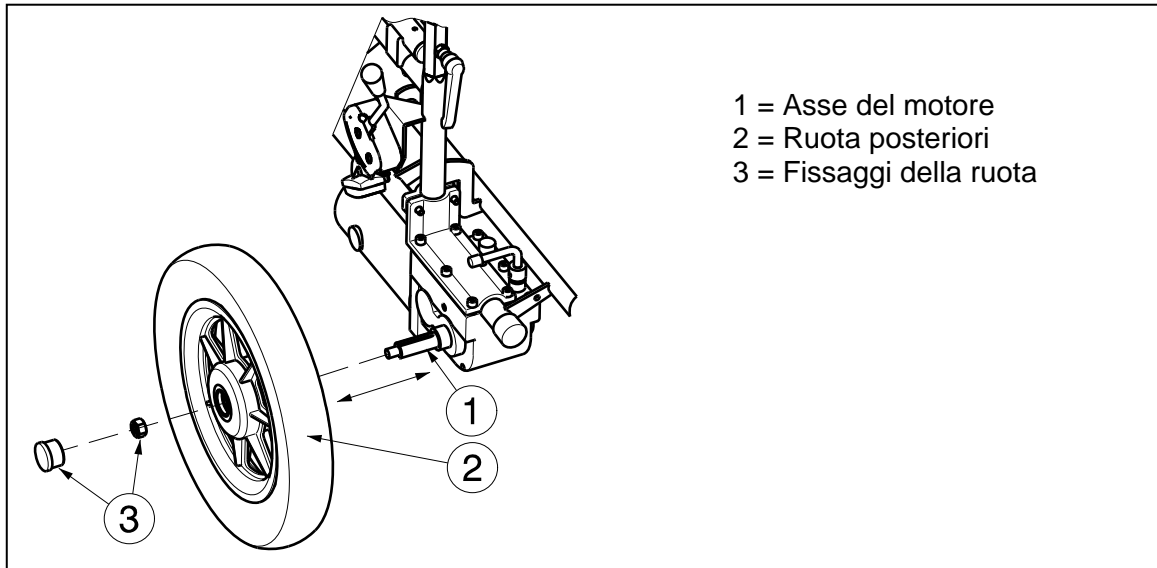
Controllare entrambi i lati per accertarsi che la camera d'aria non rimanga impigliata tra il cerchione e il bordo del copertone. Spingere delicatamente la valvola verso l'interno e tirala nuovamente verso l'esterno in modo da trovare la posizione ideale per il copertone attorno alla valvola.

Per accertarsi che la ruota sia gonfiata correttamente, inizialmente immettere solo una piccola quantità d'aria in modo che sia possibile spingere facilmente il copertone verso l'interno con le dita. Se le linee di controllo sono equidistanti dal bordo del cerchione sui due lati del copertone, significa che il copertone è centrato correttamente. In caso contrario, far uscire l'aria e ripetere l'operazione. A questo punto, è possibile gonfiare lo pneumatico con la pressione massima prestando attenzione a non superare il limite di gonfiaggio. Al termine dell'operazione richiudere la valvola.

Durante il gonfiaggio, verificare sempre che la pressione sia corretta. Il valore appropriato è indicato sul fianco dello pneumatico.

- **Ruote motrici (ruote posteriori)**

⚠ AVVERTENZA: rischio di lesioni - Prima di utilizzare la carrozzina elettrica, assicurarsi che tutte le viti siano serrate saldamente in modo manuale.



SMONTAGGIO

1. Allentare e rimuovere i fissaggi della ruota ③.
2. Rimuovere completamente la ruota posteriore ② dall'asse del motore ①.

MONTAGGIO

1. Pulire l'asse del motore e i perni, lubrificare i perni.
2. Montare la ruota posteriore sull'asse del motore in modo che l'alloggiamento sulla ruota venga inserito correttamente nel perno dell'asse del motore.
3. Fissare saldamente le ruote con il dado (fissaggio della ruota ③).

4 Manutenzione

Per la manutenzione e pulizia della carrozzina fare riferimento al manuale d'istruzioni delle carrozzine elettriche. Fare riferimento a questo manuale per il vostro rivenditore specializzato.



Índice

1	Descripción del producto	3
1.1	Uso previsto	3
1.2	Especificaciones técnicas	4
1.3	Componentes	6
1.4	Accesorios	6
1.5	Explicación de los símbolos	6
1.6	Instrucciones de seguridad.....	7
2	Uso.....	8
2.1	Observaciones sobre compatibilidad electromagnética (EMC)	8
2.2	Transporte de la silla de ruedas eléctrica	9
2.3	Montaje y desmontaje de la silla de ruedas eléctrica.....	10
2.4	Cómo plegar o desplegar la silla de ruedas	10
2.5	Montaje y desmontaje del respaldo	11
2.6	Montaje y desmontaje del alojamiento de la batería	11
2.7	Montaje y desmontaje del soportes para los brazos	12
2.8	Montaje y desmontaje de los reposapiés	13
2.9	Accionamiento de los frenos de estacionamiento.....	13
2.10	Traslado a y desde la silla de ruedas eléctrica	14
2.11	Posición correcta en la silla de ruedas eléctrica	14
2.12	Conducción de la silla de ruedas eléctrica.....	14
2.13	Accionamiento de los frenos electromagnéticos	15
2.14	Conducción de la silla de ruedas eléctrica en escaleras.....	18
2.15	Conducción de la silla de ruedas eléctrica en rampas	18
2.16	Modo de empujar la silla de ruedas	19
2.17	Transporte en coche	20
2.18	Transporte por avión.....	21
2.19	Baterías	21
2.20	Cargador de baterías	21
2.21	Carga de las baterías	22
2.22	Fusible térmico	22
3	Instalación y ajuste.....	22
3.1	Herramientas.....	23
3.2	Forma de suministro	23
3.3	Ajustes posibles	23
3.4	Conexiones de la baterías	25
3.5	Cambio de las baterías	25
3.6	Cambio de los neumáticos	26
4	Mantenimiento	27



Introducción

En primer lugar, nos gustaría agradecerle que haya confiado en nosotros y haya escogido uno de nuestros productos.

La duración de la silla de ruedas eléctrica dependerá en gran medida de los cuidados y el mantenimiento que le dedique.

Este manual le permitirá familiarizarse con el funcionamiento de la silla de ruedas eléctrica.

El seguimiento de las instrucciones para el usuario y de las instrucciones de mantenimiento es parte indispensable de la garantía.

Este manual incluye las mejoras de producto más recientes. Vermeiren se reserva el derecho de introducir cambios sin tener ninguna obligación de adaptar o sustituir los modelos entregados previamente.

Si tiene más preguntas, le rogamos que consulte a su distribuidor especializado.

ES

1 Descripción del producto

1.1 *Uso previsto*

La silla de ruedas eléctrica Express VB está equipada con dos motores de 150 W.

La silla de ruedas eléctrica Express VB está diseñada para transportar cómodamente personas con movilidad reducida o nula. Esta silla de ruedas eléctrica está diseñada para transportar a 1 persona.

La silla de ruedas eléctrica está diseñada para transportar solo personas, no objetos.

No deberían utilizarla personas que sufran limitaciones físicas o mentales evidentes (p. ej. deficiencias visuales) que les impidan manejar con seguridad la silla de ruedas eléctrica.

Los diferentes tipos de accesorios y su construcción modular permiten que sea usada plenamente por personas discapacitadas debido a:

- parálisis
- pérdida de miembros (amputación de piernas)
- deformaciones o defectos en los miembros
- articulaciones anquilosadas o dañadas
- insuficiencias cardíacas o circulatorias
- problemas de equilibrio
- caquexia (atrofia muscular)

La silla de ruedas electrónica no debe ser utilizada por personas las condiciones de las cuales las puedan hacer caer; o bien hacer uso del cinturón de seguridad para estos pacientes.

La silla de ruedas eléctrica se ha clasificado como clase A.

La silla de ruedas eléctrica es adecuada para que el ocupante la utilice en espacios exteriores, con limitaciones, e interiores.

El usuario puede propulsar la silla de ruedas por sí mismo o un acompañante puede empujarla por las empuñaduras.

En cada caso particular, también se debe tener en cuenta lo siguiente:

- envergadura y peso (máx. 90 kg)
- estado físico y psicológico
- características de la vivienda
- entorno

Utilice la silla de ruedas eléctrica en superficies planas que permitan que las cuatro ruedas estén en contacto con el suelo y donde haya suficiente contacto para utilizar la silla de ruedas con seguridad.

Practique para poder desplazarse por superficies irregulares (adoquines, etc.), pendientes, curvas y para superar obstáculos (bordillos, etc.). El desplazamiento por superficies como hielo, hierba, escombros y vegetación constituye un riesgo particular.

La silla de ruedas eléctrica no debe usarse como escalera, ni tampoco como medio de transporte para objetos pesados o calientes.

Cuando la utilice en calles o aceras, se aplican las normativas y legislaciones locales.

La silla de ruedas eléctrica puede usarse en aceras o vías urbanas. No debe utilizarse nunca en carreteras ni autopistas.

Utilice solo accesorios Vermeiren aprobados.

El fabricante no asumirá responsabilidad alguna por los daños causados por la falta de mantenimiento, un mantenimiento inadecuado o si no se siguen las instrucciones indicadas en este manual.

Las personas con deficiencias visuales pueden ponerse en contacto con el distribuidor para obtener las instrucciones de uso.

ES

1.2 Especificaciones técnicas

Las especificaciones técnicas indicadas a continuación son válidas para sillas de ruedas eléctricas de configuración estándar y en condiciones medioambientales óptimas. Si se utilizan accesorios, los valores serán diferentes. Los cambios en temperatura exterior, humedad, pendientes ascendentes y descendentes, terrenos y el nivel de la batería pueden reducir el rendimiento.

Marca	Vermeiren				
Dirección	Vermeirenplein 1/15, B-2920 Kalmthout				
Tipo	Silla de ruedas eléctrica, Clase A				
Modelo	Express VB				
Peso máximo del ocupante	90 kg				
Descripción	Dimensiones				
Anchura útil del asiento	390 mm	420 mm	440 mm	460 mm	500 mm
Anchura total (depende de la anchura del asiento)	580 mm	610 mm	630 mm	650 mm	690 mm
Descripción	Dimensiones mínimas		Dimensiones máximas		
Velocidad máxima	6 km/h				
Distancia de circulación continua*	Aprox. 18 km (Baterías: 38 Ah) Aprox. 25 km (Baterías: 50 Ah)				
Longitud total con reposapiés	950 mm				
Altura total (incluyendo el respaldo)	960 mm				
Longitud desmontada/plegada (sin reposapiés, alojamiento de la batería)	790 mm				
Longitud desmontada/plegada (silla de ruedas plegada)	400 mm				
Altura plegada/desmontada (respaldo plegado, sin reposabrazos)	710 mm (para un asiento de 460 mm de anchura; depende de la anchura del asiento)				
Peso total	Desde 67 kg (para un asiento de 390 mm de anchura; según la anchura del asiento y los accesorios)				
Peso de la parte más pesada (que puede desmontarse o quitarse)	Armazón, reposabrazos + joystick, cojín del asiento y cojín del respaldo: Desde 29,95 kg				
Peso de las partes que pueden desmontarse o quitarse.	Reposabrazos sin joystick: 1,60 kg; Reposapiés: 1,85 kg; Alojamiento de la batería: 15,90 kg / pieza (Baterías: 13,5 kg / pieza); Respaldo: 1,80 kg				
Estabilidad estática en pendientes descendentes	7,5°				
Estabilidad estática en pendientes ascendentes	12°				
Estabilidad estática lateral	10°				
Pendiente máxima segura	7°				
Superación de obstáculos	15 mm				
Separación del suelo	30 mm				
Ángulo plano del asiento	5°				
Profundidad útil del asiento	430 mm				
Grosor del cojín del asiento	40 mm				



Marca	Vermeiren	
Dirección	Vermeirenplein 1/15, B-2920 Kalmthout	
Tipo	Silla de ruedas eléctrica, Clase A	
Modelo	Express VB	
Peso máximo del ocupante	90 kg	
Descripción	Dimensiones mínimas	Dimensiones máximas
Altura de la superficie del asiento en la parte delantera (con cojín para el asiento)	540 mm	
Ángulo del respaldo	5°	
Altura del respaldo	430 mm	
Distancia entre el reposapiés y el asiento	400 mm	520 mm
Ángulo entre el reposapiés y el estribo	80 °	100 °
Ángulo entre el asiento y el reposapiés	105°	
Ángulo entre el asiento y la base del reposapiés	5°	25°
Distancia entre el reposabrazos y el asiento	225 mm	315 mm
Ubicación delantera del armazón del reposabrazos	400 mm	
Motores de propulsión	2 x 150 W + Sistema de frenos electromagnético	
Baterías	2 x 12V --- AGM / 38 Ah o 50 Ah / 20 horas	
Cargador de baterías	Ver el manual del cargador (Utilice sólo el cargador de batería que se entrega con su silla de ruedas electrónica)	
Fusible térmico	30 A	
Unidad de control	Ver el manual de la unidad de mando / Sistema de frenos electromagnético	
Diámetro de giro mínimo	Aprox. 1400 mm	
Anchura de retroceso	No aplicable	
Diámetro de las ruedas traseras (número)	12 1/2 x 2 1/4" aire (2)	
Presión de los neumáticos, ruedas traseras **	Máx. 2,5 bar	
Diámetro de las ruedas delanteras (número)	8 x 1 3/4 mm aire (2)	
Presión de los neumáticos, ruedas delanteras **	Máx. 2,5 bar	
Nivel de ruido	< 65 dB (A)	
Temperatura de almacenamiento y de uso	-20 °C a +40 °C	
Temperatura de operación de los sistemas electrónicos	-10 °C a +40 °C	
Humedad de almacenamiento y de uso	30%	70%
<p>Nos reservamos el derecho a aplicar modificaciones técnicas. Tolerancia de la medida ± 15 mm/1,5 kg/°.</p> <p>* La distancia de conducción teórica se reducirá si la silla de ruedas se utiliza con frecuencia en pendientes, terrenos desiguales o para subir bordillos.</p> <p>**Ya que se pueden utilizar distintos neumáticos, tenga en cuenta la presión de funcionamiento correcta de los que utilice. Para los neumáticos de diámetro distinto, consulte con su distribuidor especializado.</p>		

Tabla 1: Especificaciones técnicas

La silla de ruedas cumple las especificaciones siguientes:

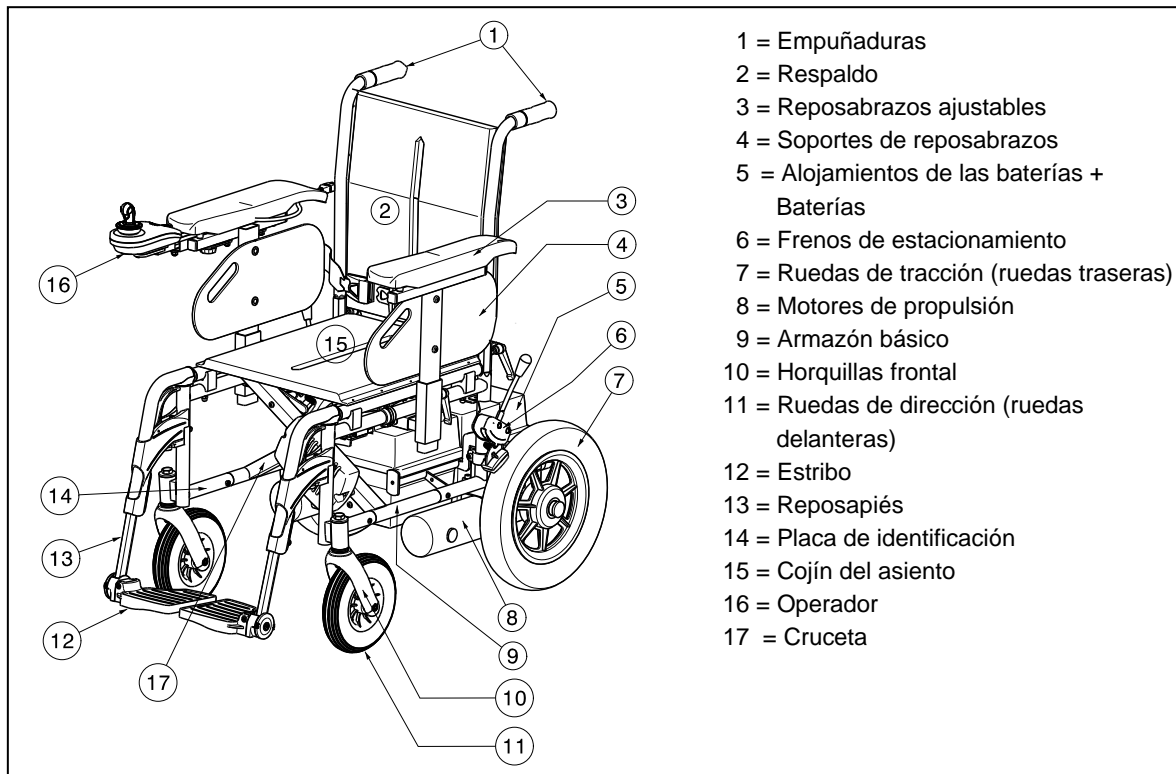
ISO 7176-8: Especificaciones y métodos de prueba de resistencia estática, a impactos y a la fatiga.

ISO 7176-14: Sillas de ruedas - Parte 14: Métodos de prueba y requisitos para sistema de control y energía para sillas de ruedas eléctricas y scooters.

EN 1021-1: Mobiliario - Evaluación de la ignición del mobiliario tapizado - Parte 1: Un cigarrillo encendido como fuente de ignición

EN 1021-2: Mobiliario - Evaluación de la ignición del mobiliario tapizado - Parte 2: El equivalente a una llama de cerilla como fuente de ignición

1.3 Componentes



1.4 Accesorios

La silla de ruedas eléctrica Express VB cuenta con los siguientes accesorios:

- Inclinación del respaldo (SE52)
- Respaldo y asiento con forma (L24/L25)

1.5 Explicación de los símbolos



Peso máximo



Uso en el interior y en el (limitada) exterior



Uso en el interior (para el cargador de batería)



Recuperación y reciclado por separado de los dispositivos eléctricos y electrónicos (para el cargador de baterías)



Clase de protección II



Pendiente máxima segura



Conformidad con la normativa CE



Velocidad máxima

km/h



Posición: Frenos de estacionamiento activados (es posible la conducción eléctrica)



Posición: Frenos de estacionamiento desactivados (es posible mover la silla libremente y empujarla pero no la conducción eléctrica)



Cuando esté en el modo de movimiento libre, tenga cuidado con las pendientes e inclinaciones



No debe utilizarse como asiento en un vehículo de motor



Designación de tipo

1.6 Instrucciones de seguridad

- ⚠ Para evitar lesiones o daños en su silla de ruedas, asegúrese de que no haya objetos ni ninguna parte del cuerpo atrapados en los aros de las ruedas de tracción.
- ⚠ Siga las instrucciones de uso de la silla de ruedas. Por ejemplo, evite chocar contra un obstáculo sin frenar (escalón, borde de la acera) o dejarse caer de los escalones.
- ⚠ Al sentarse y levantarse de la silla de ruedas, no se ponga de pie sobre los estribos. Primero debería plegarse el estribo.
- ⚠ Investigue el efecto de los cambios de centro de gravedad en el comportamiento de la silla de ruedas, por ejemplo en pendientes ascendentes o descendentes, terrenos con pendientes laterales o al superar obstáculos. Obtenga ayuda de un acompañante.
- ⚠ Si desea coger algo (que se encuentre delante, detrás o en un lateral de la silla de ruedas), procure no inclinarse demasiado o correrá el riesgo de caerse.
- ⚠ Cuando pase por puertas, arcos, etc., asegúrese de que haya suficiente espacio en los laterales para que las manos y los brazos no queden atrapados ni aplastados y para que no se dañe la silla de ruedas.
- ⚠ Por ejemplo, evite rodar de forma incontrolada y golpear contra algún obstáculo (escalones, bordillos, marcos de las puertas, etc.) o dejarse caer desde bordillos. El fabricante no se hace responsable de los daños por sobrecarga, colisión u otro uso indebido.
- ⚠ Al circular por vías públicas, está sujeto a las normas de tráfico.
- ⚠ La conducción bajo el efecto de medicamentos o alcohol reduce sus habilidades de conducción.
- ⚠ Al circular por el exterior, adapte la conducción a las condiciones climáticas y de tráfico.
- ⚠ No utilice la silla de ruedas eléctrica si llueve.
- ⚠ No ponga la silla de ruedas eléctrica en el modo de movimiento libre en pendientes.
- ⚠ Nunca suba pendientes en marcha atrás.
- ⚠ Reduzca la velocidad cuando gire esquinas.
- ⚠ Para ser más visible al circular de noche, lleve ropa de colores intensos o equipada con reflectores, compruebe que los reflectores de la silla de ruedas sean bien visibles y conduzca con las luces encendidas.
- ⚠ Compruebe que las luces y los reflectores de la silla de ruedas eléctrica estén limpios y sin obstrucciones de otros objetos que pudieran ocultarlos.
- ⚠ Cuando transporte la silla de ruedas, no la sujete nunca por las partes móviles (ruedas, reposabrazos, reposapiés, etc.).

- ⚠ Al transportar la silla de ruedas eléctrica, no transporte ninguna persona en ella.
- ⚠ No deben transportarse pasajeros adicionales.
- ⚠ Al almacenar o estacionar la silla de ruedas eléctrica en el exterior, protéjala con una cubierta protectora impermeable.
- ⚠ Altos niveles de humedad o condiciones extremadamente frías pueden reducir el rendimiento de la silla de ruedas eléctrica.
- ⚠ No utilice nunca la silla de ruedas como asiento en un coche u otro vehículo.
- ⚠ No supere nunca la carga máxima (90 kg).
- ⚠ Utilice solo accesorios Vermeiren aprobados.
- ⚠ Antes de subir o bajar de la silla y de desmontarla o transportarla, apáguela con el botón de encendido/apagado.
- ⚠ Compruebe que la profundidad de la banda de rodadura de los neumáticos sea la adecuada.
- ⚠ Si las ruedas de la silla de ruedas eléctrica son neumáticas, hínchelas a la presión correcta (*consulte la indicación de presión de los neumáticos*).
- ⚠ Las escaleras solo deben franquearse con un acompañante. Si se dispone de instalaciones y equipamientos, como rampas, ascensores, etc., se deberán usar.
- ⚠ En caso de parada repentina, podrían producirse lesiones: utilice siempre el cinturón de seguridad.
- ⚠ Utilice un cinturón de seguridad en pacientes que realizan movimientos extremos, por lo que la silla pueda volcar.

2 Uso

Este capítulo describe el uso diario. **Estas instrucciones están destinadas al usuario y a los distribuidores especializados.**

Para encontrar un centro de servicio o un distribuidor especializado cerca de usted, póngase en contacto con el centro Vermeiren más próximo. Puede encontrar una lista con los centros Vermeiren en la última página.

Su distribuidor especializado le entregará la silla de ruedas eléctrica completamente montada. Las instrucciones dirigidas al distribuidor especializado para ajustar la silla de ruedas se encuentran en el capítulo 3.

2.1 Observaciones sobre compatibilidad electromagnética (EMC)

Se ha probado el cumplimiento EMC de su silla de ruedas eléctrica de acuerdo con EN 61000-4-3, y EN 61000-4-2.

Tenga en cuenta que las fuentes de ondas electromagnéticas pueden crear interferencias. Los componentes electrónicos de la silla de ruedas también podrían afectar a otros aparatos.

Para reducir el efecto de las fuentes de interferencia electromagnética, lea las advertencias siguientes:

- ⚠ **ADVERTENCIA:** La silla de ruedas puede interferir con la operación de dispositivos de su entorno que emitan un campo electromagnético.
- ⚠ **ADVERTENCIA:** El rendimiento de circulación de la silla de ruedas puede verse afectado por campos electromagnéticos (p. ej. generadores eléctricos o fuentes de alta tensión).
- ⚠ **ADVERTENCIA:** Evite utilizar televisores o radios portátiles en la proximidad inmediata de la silla de ruedas siempre que esté en marcha.
- ⚠ **ADVERTENCIA:** Evite utilizar transmisores/receptores en las proximidades inmediatas de la silla de rueda siempre que esté en marcha.



- ⚠ ADVERTENCIA: Compruebe si hay torres transmisoras y no utilice la silla eléctrica en sus inmediaciones.**
- ⚠ ADVERTENCIA: Si se producen movimientos o frenazos involuntarios, apague la silla de ruedas en cuanto pueda hacerlo con seguridad.**

Los campos electromagnéticos que produzcan interferencias pueden tener un efecto negativo en los sistemas electrónicos de la silla de ruedas. Estos efectos incluyen:

- Desbloqueo del freno del motor
- Comportamiento incontrolable de la silla de ruedas
- Movimientos de dirección no deseados

Si la interferencia de los campos es muy fuerte o prolongada, los sistemas electrónicos podrían averiarse o sufrir daños permanentes.

Las fuentes de radiación posibles incluyen:

- Instalaciones de receptor y transmisor portátiles (receptor y transmisor con antena fija)
 - Equipos transmisores y receptores
 - Televisores, radios y dispositivos de navegación portátiles
 - Otros dispositivos de transmisión personales
- Dispositivos de transmisión y recepción de alcance medio (p. ej. antenas de coches)
 - Equipos transmisores y receptores fijos
 - Dispositivos transmisores y receptores móviles fijos
 - Televisores, radios y sistemas de navegación fijos
- Dispositivos transmisores y receptores de largo alcance
 - Torres de radio y televisión
 - Equipos de radioaficionados
- Otros dispositivos domésticos
 - Reproductores de CD
 - Ordenadores portátiles
 - Hornos microondas
 - Grabadores de casete
 - etc.

Dispositivos como máquinas de afeitar eléctricas y secadores de pelo no tendrán ningún efecto si funcionan correctamente y su cableado están en muy buen estado. Siga las instrucciones de funcionamiento de dichos aparatos eléctricos para garantizar una operación sin problemas de la silla de ruedas.

2.2 Transporte de la silla de ruedas eléctrica

La mejor forma de transportar la silla es utilizar el modo de movimiento libre de la silla de ruedas eléctrica. Coloque la silla de ruedas en el modo de movimiento libre y hágala rodar sujetándola por las empuñaduras hasta el lugar deseado.

Cuando tenga que subir o bajar escaleras con la silla de ruedas, utilice rampas o sistemas elevadores. Se requieren dos personas como mínimo para subir o bajar escaleras o escalones con la silla de ruedas.

Otra forma de transportar la silla de ruedas eléctrica es desmontarla. Otra forma de transportar la silla de ruedas eléctrica es desmontarla. Transporte las piezas separadas (armazón, reposabrazos, reposapiés, alojamientos de las baterías, respaldo) hasta el lugar deseado. Sujete la silla de ruedas únicamente por las partes fijas del armazón (nunca por los reposapiés, reposabrazos o las ruedas).

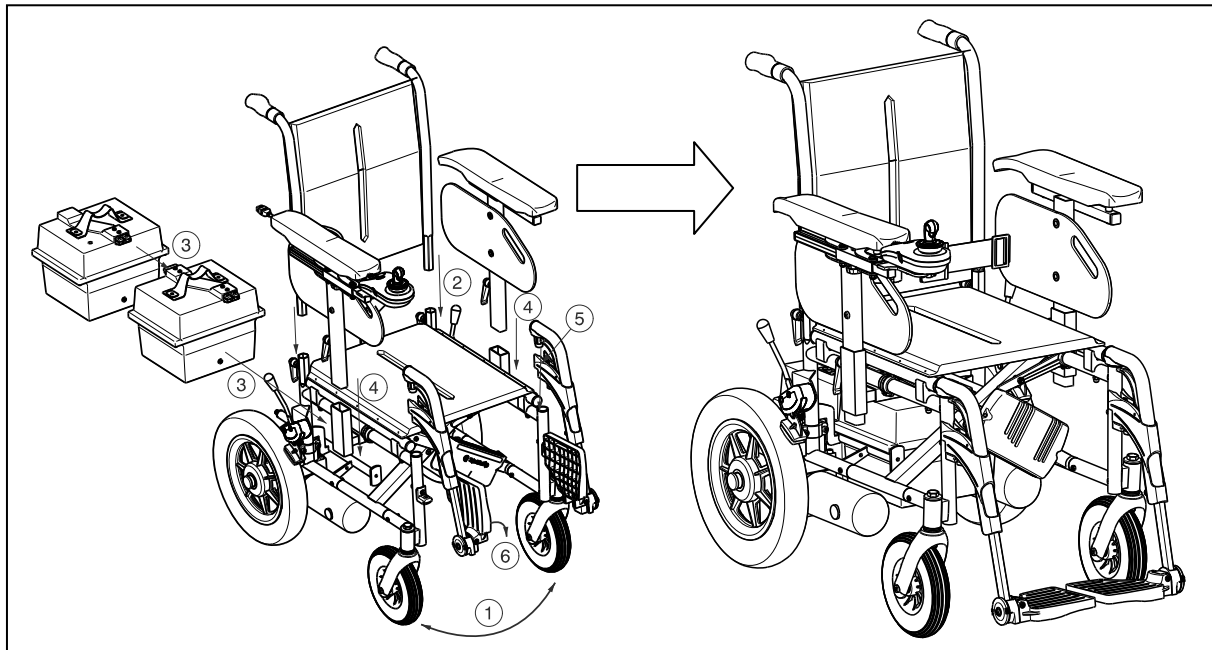
2.3 Montaje y desmontaje de la silla de ruedas eléctrica

La silla de ruedas eléctrica se entrega totalmente montada. Su distribuidor le entregará la silla de ruedas totalmente montada y le explicará el funcionamiento de los diversos elementos y su uso. No obstante, por su propia seguridad, le ofrecemos una explicación más detallada de las diversas partes.

ES

2.3.1 Montaje de la silla de ruedas eléctrica

⚠ PRECAUCIÓN: Riesgo de atrapamiento. Asegúrese de que no quede ningún cable atrapado.



Para montar la silla de ruedas eléctrica:

1. Despliegue la silla de ruedas (párrafo 2.4).
2. Coloque el respaldo (párrafo 2.5).
3. Coloque los 2 alojamientos de las baterías en los rieles junto a los motores (párrafo 2.6).
4. Coloque los reposabrazos (párrafo 2.7).
5. Coloque los reposapiés (párrafo 2.8).
6. Despliegue las bases de los estribos del reposapiés.

Para desmontar la silla de rueda eléctrica, siga las instrucciones anteriores en sentido inverso.

2.4 Cómo plegar o desplegar la silla de ruedas

⚠ PRECAUCIÓN: Riesgo de aplastamiento: mantenga los dedos, las hebillas y la ropa alejados de las piezas móviles de la silla de ruedas (por ejemplo, la cruceta...).

Para desplegar la silla de ruedas:

1. Sitúese detrás de la silla de ruedas.
2. Use las empuñaduras para abrir la silla de ruedas tanto como le sea posible.
3. Sitúese delante de la silla de ruedas.
4. Empuje los dos tubos del asiento hacia abajo hasta que queden fijados en su posición.
5. Coloque los alojamientos de las baterías en los rieles.

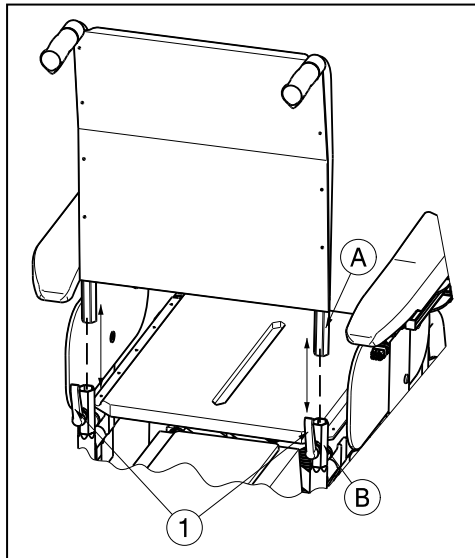
Para plegar la silla de ruedas:

1. Extraiga los alojamientos de las baterías.
2. Pliegue o retire las bases de los estribos (véase el apartado 2.8).
3. Sujete el asiento por la parte delantera y trasera y tire de él hacia arriba.

2.5 Montaje y desmontaje del respaldo

- ⚠ **ADVERTENCIA:** Riesgo de lesiones: asegúrese de que las dos palancas de seguridad ① están apretadas.
- ⚠ **PRECAUCIÓN:** Peligro de pillarse los dedos: no coloque los dedos entre los tubos del respaldo de la silla de ruedas.

Para transportar la silla de ruedas, el respaldo se puede extraer por completo y colocarse sobre el asiento.



Para montar el respaldo en la silla de ruedas eléctrica:

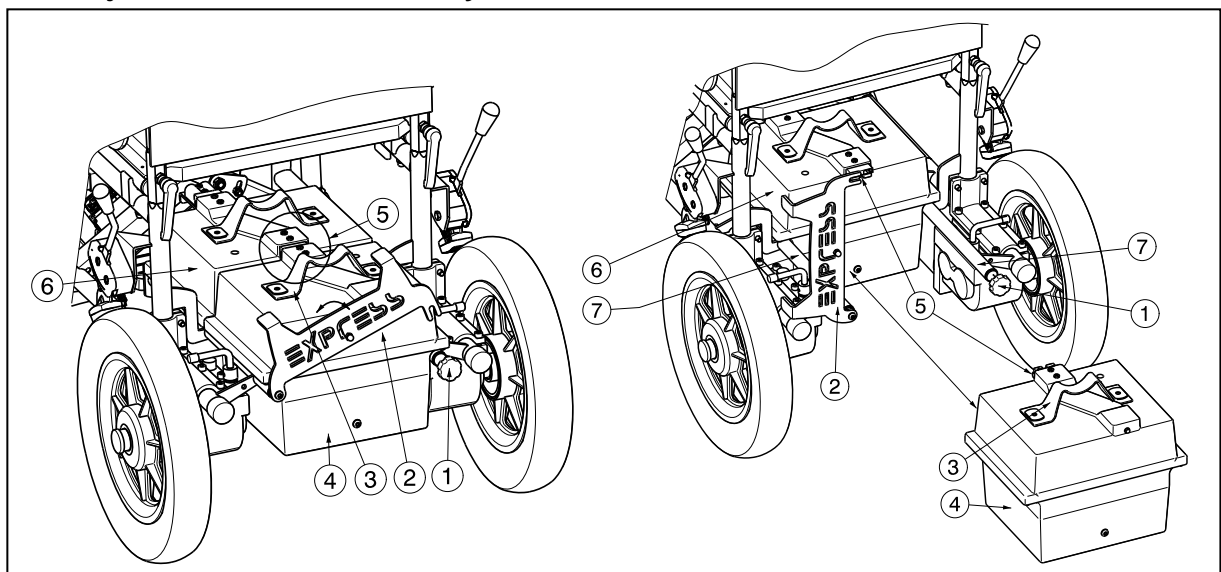
1. Compruebe que las palancas ① no están fijadas; si es el caso, suéltelas ①.
2. Monte los tubos del respaldo A en los tubos hexagonales del armazón B.
3. Vuelva a apretar las palancas ① correctamente.

Para desmontar el respaldo de la silla de ruedas eléctrica:

1. Gire las palancas ① hasta que se suelten.
2. Extraiga los tubos del respaldo A de los tubos hexagonales del armazón B.
3. Para transportarla, coloque el respaldo sobre el asiento.

2.6 Montaje y desmontaje del alojamiento de la batería

- ⚠ **PRECAUCIÓN:** Peligro de pillarse los dedos: no meta los dedos entre los alojamientos de las baterías y los rieles de la silla de ruedas.



Para montar los alojamientos de las baterías en la silla de ruedas electrónica:

1. Agarre la empuñadura ③ del primer alojamiento de la batería (sin fusible térmico) ⑤.
2. Levante la carcasa de la batería ⑤ en los carriles laterales ⑦ de su silla de ruedas.
3. Empuje el alojamiento de la batería ⑤ tanto como sea posible bajo el asiento de la silla de ruedas.
4. Compruebe que los conectores (batería, caja electrónica) encajan.
5. Sujete la empuñadura ③ de la carcasa de la batería (con fusible térmico) ④.
6. Levante la carcasa de la batería ④ sobre los carriles laterales ⑦ de su silla de ruedas.
7. Empuje el alojamiento de la batería ④ hacia atrás.
8. Compruebe que los conectores de la batería ⑤ encajan.
9. Gire la placa ② hacia abajo.
10. Vuelva a apretar el pomo de estrella ①.

Para retirar los alojamientos de las baterías en la silla de ruedas electrónica:

1. Afloje el pomo de estrella ①.
2. Gire la placa ② hacia arriba y hacia la izquierda.
3. Agarre la empuñadura ③ del primer alojamiento de la batería (con fusible térmico) ④.
4. Deslice la cubierta de la batería hacia atrás hasta que los conectores de la batería ⑤ se suelten.
5. Levante la primera caja de la batería ④ fuera de la silla de ruedas.
6. Deslice el segundo alojamiento de la batería ⑥ hacia atrás hasta que pueda levantar el alojamiento fuera del marco de la silla.
7. Levante la segunda carcasa de la batería ⑥ fuera de la silla de ruedas.

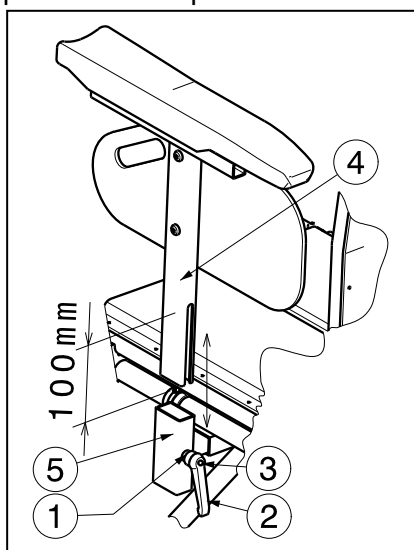
2.7 Montaje y desmontaje del soportes para los brazos

⚠ ADVERTENCIA: Riesgo de lesiones o daños: asegúrese de que las palancas ① están apretadas correctamente antes de usar la silla de ruedas.

⚠ ADVERTENCIA: Riesgo de volcar la silla: compruebe que los soportes para los brazos de ambos lados estén a la misma altura.

⚠ PRECAUCIÓN: Riesgo de aplastamiento: mantenga los dedos, las hebillas y la ropa alejados de los puntos de acoplamiento de los soportes para los brazos.

Los soportes para los brazos se pueden quitar para que el paciente pueda moverse lateralmente. Los soportes para brazos también pueden quitarse por motivos terapéuticos y para mover el paciente de la silla de ruedas.



Para montar los soportes para brazos en la silla de ruedas eléctrica:

1. Inserte el soportes para los brazos ④ en el tubo rectangular ⑤.
2. Vuelva a apretar la empuñadura ① correctamente. (Si la palanca de la empuñadura ② no está en la posición correcta, pulse el botón ③ de la empuñadura y ponga la palanca ② en la posición adecuada para que no se puedan lesionar las manos.)

Para quitar los soportes para los brazos de la silla de ruedas eléctrica:

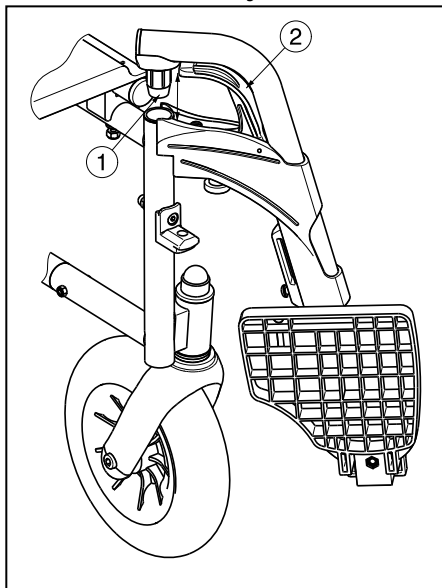
1. Gire la empuñadura ① hasta que se suelte. (Si la palanca de la empuñadura ② no está en la posición correcta, pulse el botón ③ de la empuñadura y ponga la palanca ② en la posición adecuada para que no se puedan lesionar las manos.)
2. Saque el soporte para el brazo ④ del tubo rectangular ⑤.

Los reposabrazos se pueden ajustar a distintas alturas en una distancia de 90 mm (sin intervalos). Mantenga una distancia de seguridad de 10 mm en la parte inferior del reposabrazos.

1. Afloje un poco la palanca ① .
2. Mueva los tubos rectangulares ④ y ⑤ sobre ellos mismos para ajustar la altura del reposabrazos.
3. Vuelva a apretar la palanca ① a mano.
4. Compruebe que la palanca ① está fijada de forma segura.
5. Siga estas mismas instrucciones para ajustar el otro reposabrazos.

2.8 Montaje y desmontaje de los reposapiés

⚠ PRECAUCIÓN: Riesgo de lesiones: asegúrese de que los reposapiés están firmemente fijados.



El montaje de los reposapiés se realiza del modo siguiente:

1. Mantenga el reposapiés en posición vertical por la parte externa armazón de la silla de ruedas e inserte el capuchón del tubo ① en el armazón.
2. Gire el reposapiés hacia el interior hasta que encaje en su posición con un clic.
3. Gire el estribo hacia abajo.
4. Compruebe que el reposapiés esté bien fijado.

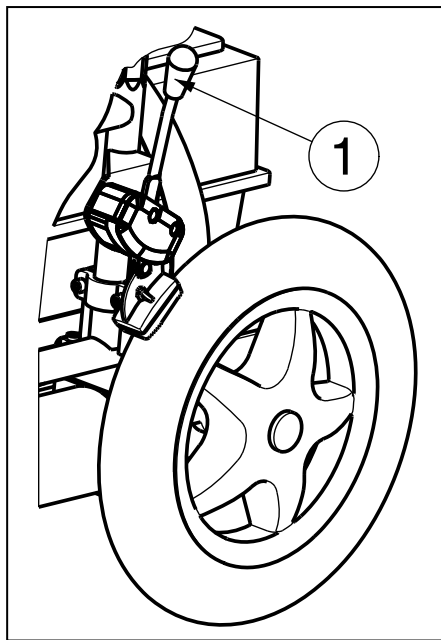
Para retirar los reposapiés:

1. Tire de la empuñadura ②.
2. Gire el reposapiés hacia la parte exterior de la silla de ruedas hasta que se afloje de la guía.
3. Saque el reposapiés del capuchón del tubo ①.

2.9 Accionamiento de los frenos de estacionamiento

La silla de ruedas tiene frenos de estacionamiento estándar en cada rueda de tracción.

- ⚠ ADVERTENCIA: Los frenos no se utilizan para reducir la velocidad de la silla de ruedas durante los movimientos. Utilice los frenos solo para evitar que la silla de ruedas realice movimientos no deseados.**
- ⚠ ADVERTENCIA: El buen funcionamiento de los frenos depende de su desgaste y de las sustancias presentes en ellas (agua, aceite, barro, etc.). Compruebe las condiciones de las ruedas antes de utilizarlas.**
- ⚠ ADVERTENCIA: Los frenos se pueden ajustar y pueden desgastarse. Compruebe el funcionamiento de los frenos antes de cada uso.**



Para accionar los frenos:

1. Empuje las palancas del freno ① hacia delante hasta que oiga un clic.

⚠ PRECAUCIÓN: Riesgo de movimientos no deseados: asegúrese de que la silla de ruedas está en una superficie plana horizontal antes de soltar los frenos. Nunca suelte ambos frenos a la vez.

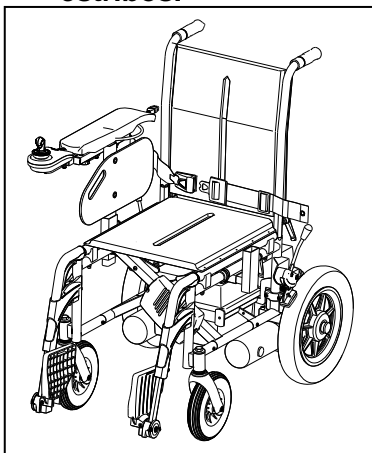
Para soltar los frenos:

1. Tire de la palanca ① hacia atrás para soltar un freno.
2. Tire de la palanca del segundo freno hacia atrás.

ES

2.10 Traslado a y desde la silla de ruedas eléctrica

- ⚠ **ADVERTENCIA:** Desconecte la silla de ruedas antes de subirse o bajarse de ella.
- ⚠ **PRECAUCIÓN:** En caso de que no pueda realizar el traslado de forma segura, pida a alguien que le ayude.
- ⚠ **PRECAUCIÓN:** Riesgo de lesiones; no se apoye en el joystick, los estribos ni los soportes para los brazos.
- ⚠ **PRECAUCIÓN:** Riesgo de vuelco de la silla de ruedas; no se ponga de pie en los estribos.



1. Estacione la silla de ruedas eléctrica lo más cerca posible del lugar al que desee transferir la persona.
2. Compruebe que el operador esté desactivado. Asegúrese de que la silla de ruedas NO está en el modo de rueda libre.
3. Pliegue los estribos hacia arriba para evitar ponerse de pie en ellos.
4. Si el traslado se realiza por el lateral de la silla de ruedas, retire el soporte para el brazo de ese lado.
5. Traslado a/desde la silla de ruedas eléctrica.

2.11 Posición correcta en la silla de ruedas eléctrica

Algunas recomendaciones para un uso cómodo de la silla de ruedas eléctrica:

1. Coloque la espalda lo más cerca posible del respaldo.
2. Asegúrese de que la parte superior de las piernas se encuentre en posición horizontal. En caso necesario, ajuste la longitud de los reposapiés.

2.12 Conducción de la silla de ruedas eléctrica

- ⚠ **ADVERTENCIA:** Riesgo de quemaduras; tenga cuidado cuando circule por entornos calientes o fríos (luz solar, frío extremo, etc.) durante un período de tiempo prolongado, ya que podría quemarse al tocar el dispositivo.
- ⚠ **ADVERTENCIA:** Riesgo por ajustes peligrosos; utilice únicamente las funciones de conducción indicadas en este manual.



2.12.1 Preparación de la silla de ruedas eléctrica para su utilización

Al empezar a utilizar la silla de ruedas eléctrica, asegúrese de que se encuentra en un terreno plano. Todas las ruedas deben estar en contacto con el suelo.

1. Asegúrese de que el modo de rueda libre está desactivado y que el operador está apagado.
2. Ajuste la silla de ruedas para que se adapte a usted.
3. Ajuste el operador en la posición más cómoda.
4. Siéntese en el asiento y compruebe que ambos reposabrazos estén ajustados de forma que sus antebrazos estén plegados.
5. Encienda la silla de ruedas con el botón de encendido/apagado del operador.

A continuación, ponga el control de velocidad en el operador en la posición mínima. Ahora la silla de ruedas está lista para utilizarse.

2.12.2 Manejo tras el uso

Antes de levantarse de la silla de ruedas eléctrica, asegúrese de que las cuatro ruedas toquen el suelo simultáneamente.

Apriete el botón de encendido/apagado del operador; se apagará la pantalla del operador.

2.13 Accionamiento de los frenos electromagnéticos

Suelte el joystick para detener la silla de ruedas eléctrica.

2.13.1 Estacionamiento de la silla de ruedas eléctrica

Cuando haya apagado la silla de ruedas eléctrica, no se puede enviar ningún comando al sistema de conducción. Estacione siempre la silla de ruedas eléctrica en lugares de fácil acceso y en superficies horizontales en las que las cuatro ruedas toquen el suelo.

2.13.2 Operadores

Encontrará las instrucciones de uso del operador en los manuales del usuario independientes de los operador que se incluyen con la silla de ruedas.

Solo Vermeiren está autorizado a cambiar el software. Para realizar cambios en el software, póngase en contacto con Vermeiren.

2.13.3 Ajuste del operador

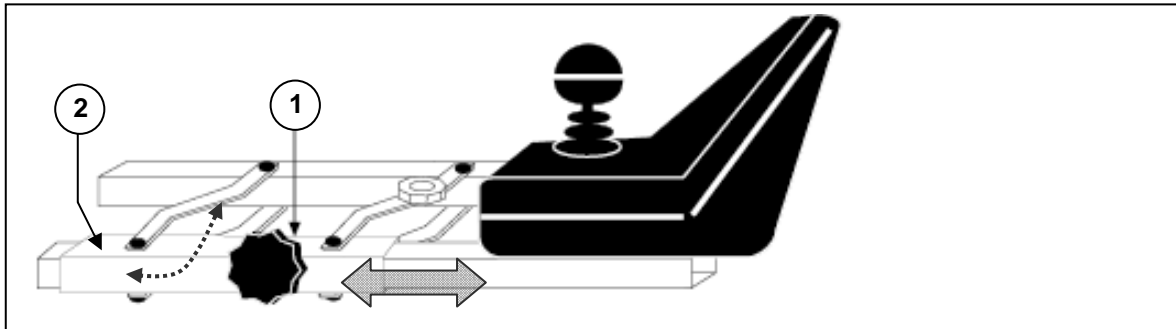
⚠ PRECAUCIÓN: Peligro de pillarse los dedos: no meta los dedos entre el mando del operador y el resto de piezas cuando coloque el operador.

La posición horizontal del operador se puede cambiar:

1. Afloje un poco el tornillo ① justo debajo del reposabrazos.
2. Mueva el operador a la posición deseada o quítelo.
3. Vuelva a apretar el tornillo ① correctamente.

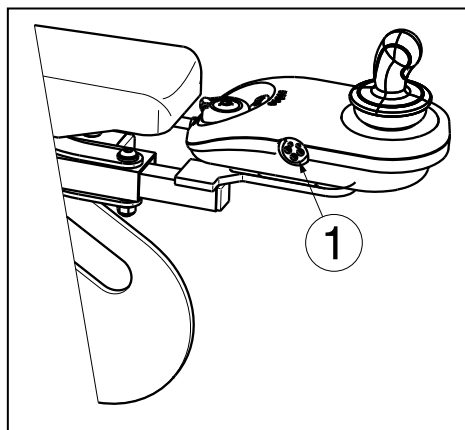
Si tira del tornillo ① hacia el lateral, el operador podrá girarse hacia un lado.

NOTA: Según las características de la silla de ruedas, el tornillo ① también podría encontrarse debajo del tubo de guía ②.



2.13.4 Conexiones para la unidad de programación/cargador

⚠ ADVERTENCIA: Riesgo de lesiones; asegúrese de que todos los enchufes (cargador de baterías y unidad de programación) se hayan desconectado antes de poner la silla de ruedas en marcha.



El enchufe ① para conectar el cargador incluido está situado en la parte frontal de la operador. En el mismo lugar se encuentra la conexión para unidad de programación. Solo personal autorizado que haya recibido formación sobre cómo programar la unidad (personal de Vermeiren), debería conectar y utilizar la unidad de programación.

Asegúrese de que el joystick se encuentra en punto muerto (centro), cuando accione el botón de encendido/apagado, ya que, en caso contrario, el sistema electrónico quedará bloqueado. Se puede eliminar este bloqueo desconectando la unidad de control y volviendo a conectarla.

2.13.5 El primer viaje

⚠ ADVERTENCIA: Controle la silla de ruedas eléctrica; acostúmbrese al comportamiento de conducción de la silla de ruedas eléctrica.

- Conducción

Una vez se haya sentado en la silla de ruedas eléctrica y la haya ajustado como se describe más arriba, sujete el joystick y empújelo en la dirección requerida, es decir:

EMPUJAR HACIA ADELANTE = MOVIMIENTO HACIA ADELANTE
EMPUJAR HACIA ATRÁS = MOVIMIENTO HACIA ATRÁS

- Frenado

Para frenar, suelte el joystick, con lo que volverá a la posición neutra (punto muerto) y la velocidad de la silla de ruedas eléctrica se irá reduciendo hasta que se detenga totalmente con suavidad. Practique la marcha y el frenado hasta que se acostumbre a la silla de ruedas eléctrica. Tiene que ser capaz de estimar cómo reaccionará la silla de ruedas eléctrica cuando conduzca o frene.

- Conducción en esquinas y curvas

⚠ ADVERTENCIA: Riesgo de vuelco; reduzca la velocidad antes de entrar en una curva o girar una esquina.

⚠ ADVERTENCIA: Riesgo de aplastamiento; mantenga siempre una distancia adecuada respecto a las esquinas y obstáculos.



Mueva el joystick hacia la posición a la que desee girar. Las ruedas delanteras girarán en la dirección correspondiente y la silla de ruedas eléctrica se dirigirá en la nueva dirección. Es muy importante comprobar que haya suficiente espacio para girar en curvas y esquinas. Acérquese a los pasajes estrechos en una curva ancha para que pueda entrar por la parte más estrecha de frente y lo más recto posible.

No entre en curvas ni gire esquinas diagonalmente. Si intenta girar la esquina diagonalmente, las ruedas traseras, la parte trasera de la silla de ruedas puede encontrarse con obstáculos y la silla de ruedas eléctrica se puede desestabilizar.

2.13.6 Movimiento hacia atrás

- ⚠ **ADVERTENCIA: Controle la silla de ruedas eléctrica; acostúmbrese al comportamiento de conducción de la silla de ruedas eléctrica.**
- ⚠ **ADVERTENCIA: Controle su velocidad; retroceda siempre lo más lentamente posible.**
- ⚠ **ADVERTENCIA: Riesgo de choques; mire siempre hacia atrás cuando retroceda.**

La conducción hacia atrás requiere mucha concentración y cuidado. Esto explica por qué hemos reducido considerablemente la velocidad del movimiento marcha atrás en comparación con la conducción hacia adelante. No obstante, le recomendamos que reduzca la velocidad al mínimo cuando vaya marcha atrás.

Los controles derecho e izquierdo funcionan al revés al conducir marcha atrás.

2.13.7 Pendientes ascendentes

- ⚠ **ADVERTENCIA: Controle la silla de ruedas eléctrica; acostúmbrese al comportamiento de conducción de la silla de ruedas eléctrica.**
- ⚠ **ADVERTENCIA: Controle la silla de ruedas eléctrica; no la ponga en punto muerto en pendientes.**
- ⚠ **ADVERTENCIA: Controle su velocidad; desplácese por las pendientes con la mayor lentitud posible.**
- ⚠ **ADVERTENCIA: Riesgo de vuelco; no supere el grado máximo de pendiente para la estabilidad estática y dinámica en pendientes ascendentes (consulte la sección "Especificaciones técnicas").**
- ⚠ **ADVERTENCIA: No retroceda nunca en pendientes ascendentes.**

Acérquese siempre a las pendientes en posición frontal y, para evitar vuelcos, compruebe que las cuatro ruedas estén en contacto con el suelo en todo momento (rampas, vías de acceso, etc.).

Si suelta el joystick en una pendiente y se detiene, el freno del motor impedirá que la silla de ruedas eléctrica ruede hacia atrás. En cuanto el joystick vuelva a punto muerto, se activará el freno del motor.

Para reanudar la conducción en la pendiente ascendente, empuje el joystick al máximo hacia adelante de que haya la potencia suficiente. De esta forma, la silla de ruedas eléctrica ascenderá la pendiente lentamente.

Si la silla de ruedas eléctrica no puede subir, incremente el control de velocidad y vuélvalo a intentar.

2.13.8 Pendientes descendentes

- ⚠ **ADVERTENCIA:** Controle la silla de ruedas eléctrica; acostúmbrese al comportamiento de conducción de la silla de ruedas.
- ⚠ **ADVERTENCIA:** Controle la silla de ruedas; no la ponga en punto muerto en pendientes.
- ⚠ **ADVERTENCIA:** Controle su velocidad; desplácese por las pendientes con la mayor lentitud posible.
- ⚠ **ADVERTENCIA:** Riesgo de vuelco; evite las curvas muy cerradas.
- ⚠ **ADVERTENCIA:** Riesgo de vuelco; no supere el grado máximo de pendiente para la estabilidad estática y dinámica en pendientes descendentes (consulte la sección "Especificaciones técnicas").

Acérquese a las pendientes descendentes siempre en posición frontal. Si se acerca oblicuamente, puede ser que no todas las ruedas permanezcan en contacto con el suelo (peligro de vuelco).

El peso de la silla de rueda eléctrica aumentará con la velocidad de bajada. Reduzca la velocidad en el operador.

Evite las curvas cerradas en pendientes descendentes. El peso de la silla de ruedas eléctrica puede provocar que un lado de la silla de ruedas eléctrica se levante o incluso que se vuelque en curvas.

2.14 Conducción de la silla de ruedas eléctrica en escaleras

- ⚠ **ADVERTENCIA:** Riesgo de lesiones: siéntese tranquilamente en la silla de ruedas para evitar movimientos bruscos. Si no puede sentarse tranquilamente durante el transporte debido a una enfermedad o discapacidad (por ejemplo, ligeros espasmos, etc.), se necesitarán al menos dos personas para sujetar la silla de ruedas por ambos lados, agarrándola por las partes fijas del armazón.
- ⚠ **ADVERTENCIA:** Riesgo de lesiones: lleve sistemas de cinturones de seguridad adecuados durante el transporte (puede obtener información de su distribuidor especializado).
- ⚠ **ADVERTENCIA:** Riesgo de lesiones: asegúrese de que sus brazos y piernas no sobresalen por fuera de la silla de ruedas durante el transporte.

Si desea subir o bajar escaleras con la silla de ruedas, deberá utilizar rampas o sistemas elevadores.

2.15 Conducción de la silla de ruedas eléctrica en rampas

- ⚠ **ADVERTENCIA:** Riesgo de lesiones; no supere la carga máxima de las rampas.
- ⚠ **ADVERTENCIA:** Riesgo de lesiones: elija las rampas adecuadas para evitar daños y lesiones.
- ⚠ **ADVERTENCIA:** Riesgo de lesiones; asegúrese de que la altura de la rueda sea suficiente para pasar por la rampa. El armazón de la silla de ruedas eléctricas no debe tocar las rampas.
- ⚠ **ADVERTENCIA:** Riesgo de lesiones; utilice un cinturón de seguridad para sujetarse en la silla de ruedas.
- ⚠ **ADVERTENCIA:** Riesgo de vuelco; ajuste las funciones del asiento, el respaldo y los reposapiés de forma que la silla de ruedas tenga la máxima estabilidad.

Si desea utilizar rampas para pasar por encima de un obstáculo, tenga en cuenta lo siguiente:



1. Pregunte al fabricante cuál es la carga máxima en rampas.
2. Conduzca en rampas a la menor velocidad posible.
3. Consulte las instrucciones en el capítulo "el primer viaje".

Si la silla de ruedas tiene funciones regulables, asegúrese de lo siguiente (porque afectará a la estabilidad de la silla de ruedas eléctrica):

1. El asiento está en la posición más baja y en la posición horizontal.
2. El respaldo está en la posición erguida.
3. Los reposapiés se han ajustado para que no se produzcan choques al pasar por encima de un obstáculo.

Si otra persona lo empuja, tenga en cuenta que el peso de la silla de ruedas eléctrica ejerce una fuerza de retroceso apreciable.

2.16 Modo de empujar la silla de ruedas

-  **ADVERTENCIA: Controle la silla de ruedas eléctrica; no la ponga nunca en punto muerto cuando conduzca.**
-  **ADVERTENCIA: Controle la silla de ruedas eléctrica; no la ponga en punto muerto en pendientes. Puede rodar accidentalmente.**

La silla de ruedas debe disponer de un dispositivo de movimiento libre al que solo pueda acceder y pueda operar el acompañante.

2.16.1 Motores de 150 W - 6 km/h

Ponga la silla en punto muerto con las palancas regulables ① de ambos motores. Estas palancas se encuentran en la parte trasera de la silla de ruedas eléctrica.

Embrague o desembrague el motor siguiendo estas instrucciones:



CONDUCCIÓN

Coloque las palancas regulables ① de ambos motores en la posición del símbolo de conducción. Suelte los frenos de estacionamiento. Conecte y desconecte el operador. Así se puede conducir la silla de ruedas electrónicamente.

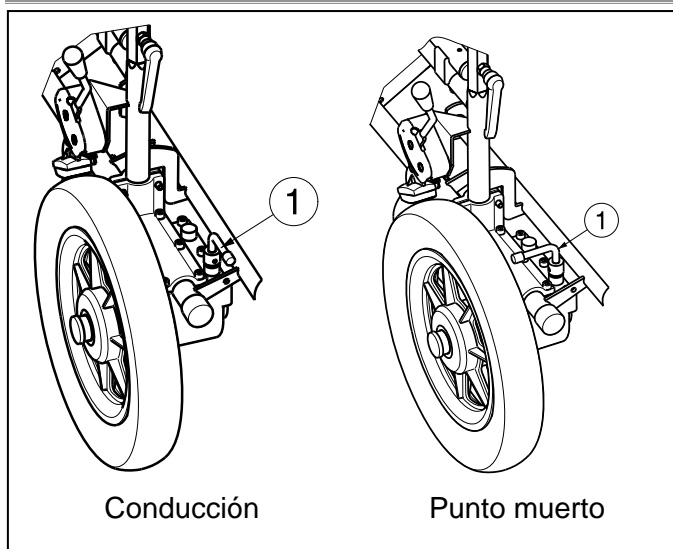


PUNTO MUERTO

Empuje las palancas regulables ① de ambos motores a la posición de punto muerto para activar el modo de movimiento libre de la silla de ruedas. Ahora la silla de ruedas puede empujarse sin la conducción electrónica.



En el modo de movimiento libre, se desactivará el freno electrónico y la silla de ruedas ya no se retendrá. No active el modo de movimiento libre en pendientes.



- ⚠ Cuando esté activado el movimiento libre, se desactivará el sistema de frenado electromagnético, por lo que la silla de ruedas podría rodar accidentalmente. Tenga cuidado de no poner la silla de ruedas en pendientes o terrenos desiguales, ya que podría rodar accidentalmente.
- ⚠ El sistema electrónico indicará que la conducción electrónica no es posible mediante el parpadeo del símbolo de bloqueo.

2.17 Transporte en coche

- ⚠ **PELIGRO:** Riesgo de lesiones; la silla de ruedas no se ha diseñado para su uso como asiento en un automóvil.
- ⚠ **ADVERTENCIA:** Riesgo de lesiones; durante el transporte, asegúrese de que no haya personas ni objetos debajo de la silla de ruedas eléctrica.
- ⚠ **ADVERTENCIA:** Riesgo de lesiones; compruebe que la silla de ruedas está fijada correctamente para evitar cualquier daño a los pasajeros en caso de colisión o frenado brusco. Asegúrese de que estén sujetos solo a partes sólidas del armazón.
- ⚠ **ADVERTENCIA:** Riesgo de lesiones; no utilice NUNCA el mismo cinturón de seguridad para sujetar la silla de ruedas y el pasajero.

No utilice la silla de ruedas como asiento en un coche u otro vehículo. Debe estar marcada con el símbolo siguiente.



Para transportar la silla de ruedas en el coche, siga estos pasos:

La mejor forma de transportar la silla de ruedas eléctrica en el coche es conducirla al interior del coche con rampas.

Si no tiene experiencia en la conducción de la silla de ruedas eléctrica con rampas, también puede ponerla en punto muerto y empujarla al coche con las rampas.

Si la silla de ruedas no cabe en el coche, también puede transportarla si sigue estos pasos:

1. Retire todas las partes móviles antes de transportarla (reposapiés, soportes de reposabrazos, alojamientos de la baterías, etc.)
2. Guarde las partes móviles en un lugar seguro.
3. Haga que dos personas sujeten las partes fijas de los armazones para colocar la silla de ruedas eléctrica en el coche.
4. Fije las piezas sólidas del armazón al vehículo.
5. Ponga la silla de ruedas en el modo de conducción (accione los frenos de estacionamiento) y compruebe que el operador esté apagado.



2.18 Transporte por avión

La silla de ruedas eléctrica puede transportarse en un avión. Las sillas de ruedas eléctricas pueden facturarse. Antes de partir, facture la silla de ruedas en el mostrador de la línea aérea correspondiente. No utilice la silla de ruedas de eléctrica como asiento en el avión; almacénela en la bodega.

Para transportar la silla de ruedas en un avión, tenga en cuenta los requisitos siguientes:

1. Tipo y propiedades de la silla de ruedas (joystick, Accu)

Compruebe si hay baterías secas o de gel en la silla de ruedas. Normalmente, no debería retirar las baterías de la silla de ruedas. Solo desconecte y aisle las conexiones del accu.

2. Dimensiones y peso de la silla de ruedas

Las dimensiones y el peso permisibles de la silla de ruedas depende del tipo de avión.

3. Daños en la silla de ruedas

Es posible que la silla de ruedas resulte dañada si la guarda en una zona estrecha con maletas y otros objetos.

Para evitar daños a la silla de ruedas:

- Ponga los ajustes eléctricos en la posición estándar (columna del elevador lo más baja posible, el asiento con inclinación horizontal, inclinación del respaldo hacia adelante).
- Pliegue los estribos hacia arriba, ponga los soportes para los brazos en la posición interior.
- Compruebe que las palancas regulables estén hacia adentro.
- Cubra el operador con un material blando que soporte choques.

Antes de viajar, póngase en contacto con la línea aérea sobre los requisitos de transporte de la silla de ruedas en un avión.

2.19 Baterías

Las baterías estándar para la silla de ruedas eléctrica son dos baterías cerradas AGM de 12 V/38 Ah o 50 Ah. Las baterías de la silla de ruedas eléctricas son baterías de propulsión que solo funcionarán a plena capacidad tras unos cuantos ciclos de carga y uso.

Cuando las baterías ya no tengan toda su potencia debido al uso prolongado o si presentaran daños, un distribuidor especializado debe reemplazar ambas baterías.

No aceptamos responsabilidad alguna por los daños causados por el uso de otros tipos de baterías.

Si se abren las baterías, se anularán todas las responsabilidades y garantías del fabricante. No use las baterías a temperaturas inferiores a -5°C o por encima de +50°C (la temperatura ideal es: +20°C).

Emplee sólo baterías originales. No aceptamos responsabilidad alguna por daños provocados por el uso de otro tipo de baterías.

2.20 Cargador de baterías

Para cargar las baterías, utilice solamente el cargador de baterías incluido.

Consulte el manual del cargador de las baterías, suministrado con el cargador de las baterías, para obtener instrucciones de usuario para el cargador de la batería.

2.21 Carga de las baterías

⚠ PRECAUCIÓN: Riesgo de lesiones; utilice únicamente el cargador de baterías suministrado para cargar las baterías.

Como el cargador alinea la curva de carga con el nivel de carga de las baterías, puede recargar la silla de ruedas tras cada uso. Esto evita la carga agresiva de las baterías y el "efecto memoria".

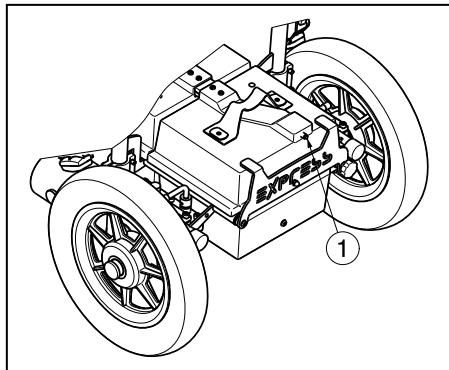
Como mínimo, recargue la silla de ruedas cuando el indicador de carga del operador esté en la zona roja. Si se sigue circulando, llegará un momento en el que sólo el último diodo rojo se encenderá y parpadeará continuamente, indicando que las baterías están prácticamente agotadas. Si se ignora esta señal de advertencia, en breve aparecerá un mensaje de error que indicará que las baterías ya no pueden suministrar energía para la circulación. Por eso, deben cargarse las baterías antes de que aparezca este mensaje de error, con el cargador de baterías suministrado. En todo caso, evite que las baterías se agoten.

Para el uso del cargador de la batería, consulte el manual del cargador de baterías. Aunque no vaya a usar la silla de ruedas electrónica durante un período de tiempo prolongado, de vez en cuando, deberá conectarla al cargador de baterías para recargarla y mantener la silla de ruedas lista para funcionar.

El fabricante no asume responsabilidad alguna por los daños derivados de cargas incorrectas.

Para obtener más información, consulte las instrucciones de usuario suministradas con el cargador.

2.22 Fusible térmico



Para proteger el motor contra sobrecargas, en la parte trasera superior del alojamiento de las baterías hay un mecanismo térmico de seguridad ① que detendrá el motor automáticamente para evitar el recalentamiento, el deterioro rápido o las averías. Esto puede pasar si sube o baja pendientes que superen en grado de pendiente máximo indicado. Las cargas nominales que superen el máximo también podrían accionar el mecanismo de seguridad.

Para volver a utilizar la silla de ruedas eléctrica, retire la sobrecarga y espere hasta que se haya enfriado el motor. A continuación, presione el mecanismo térmico de seguridad hacia dentro. Puede volver a utilizar la silla de ruedas eléctrica.

3 Instalación y ajuste

Este capítulo contiene instrucciones destinadas a los distribuidores especializados.

La Express VB es una silla de ruedas eléctrica con tracción trasera.

- ⚠ ADVERTENCIA: Riesgo por ajustes peligrosos; utilice únicamente los ajustes indicados en este manual.**
- ⚠ ADVERTENCIA: Riesgo de vuelco; realizar ajustes distintos a los permitidos en la silla puede afectar a su estabilidad (inclinaciones hacia atrás o hacia los lados).**

3.1 Herramientas

Para montar la silla de ruedas, necesita las siguientes herramientas.

- Juego de llaves inglesas del 10
- Juego de destornilladores Allen del número 4 y 5

3.2 Forma de suministro

La silla de ruedas eléctrica se entrega con:

- Armazón con soportes de reposabrazos, operador, ruedas delanteras y traseras, asiento y respaldo
- 1 par de reposapiés
- 2 x baterías de propulsión + alojamiento de batería, 2 x motores de propulsión
- Cargador de baterías + manual del cargador de baterías
- Sistemas electrónicos
- Herramientas
- Operador + manual del operador
- Accesorios

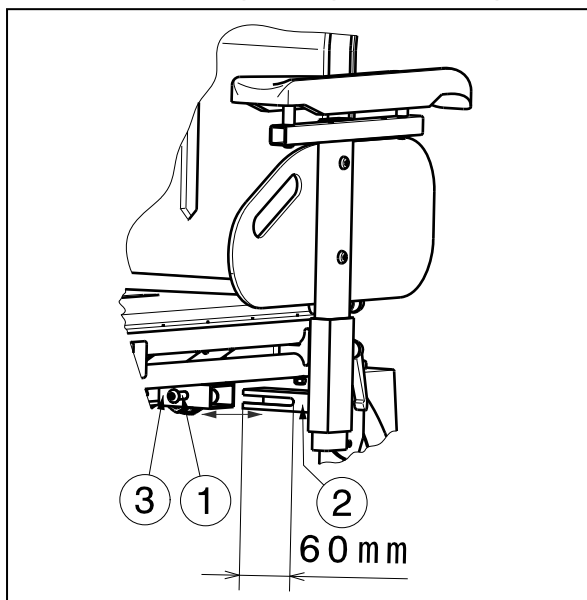
Antes de utilizarlo, compruebe que ha recibido todo el material y que no ha sufrido ningún daño (por culpa del transporte u otro motivo). Tenga en cuenta que la configuración básica puede variar de un país de Europa a otro. Contacte con su distribuidor especializado.

3.3 Ajustes posibles

- ⚠ **ADVERTENCIA:** Riesgo de lesiones; apague la silla de ruedas eléctrica antes de realizar ajustes.
- ⚠ **ADVERTENCIA:** Riesgo de lesiones; no realice nunca ajustes mientras circule.
- ⚠ **ADVERTENCIA:** Riesgo de lesiones; solo su distribuidor especializado puede realizar ajustes.
- ⚠ **ADVERTENCIA:** Riesgo de lesiones: asegúrese de que todos los tornillos y palancas estén bien apretados antes de circular con la silla de ruedas.
- ⚠ **PRECAUCIÓN:** Riesgo de atrapamiento: mantenga los dedos, las hebillas y la ropa alejados de los puntos de acoplamiento o de las partes móviles.

3.3.1 Ajuste del soportes para brazos

La anchura del soportes para brazos puede regularse en posición horizontal.



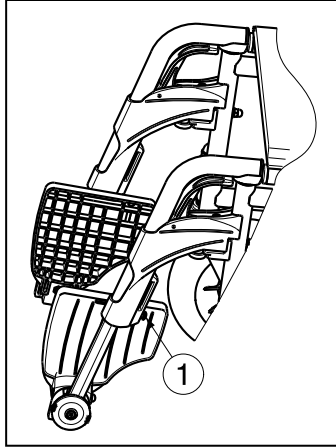
1. Afloje los tornillos de ajuste de cabeza hexagonal ① justo debajo del armazón del asiento.
2. Mueva el soportes para brazos en dirección horizontal hasta conseguir la posición deseada, moviendo los tubos rectangulares ② y ③ uno encima del otro. (Rango de 60 mm: sin intervalos)
3. Vuelva a apretar los tornillos ① correctamente.
4. Repita las instrucciones anteriores en el otro soporte para el brazo.

Compruebe que los soportes para brazos están colocados de forma idéntica en ambos lados.

3.3.2 Ajuste de los reposapiés

* Ajuste de la longitud:

⚠ PRECAUCIÓN: Riesgo de desperfectos: evite que los reposapiés entren en contacto con el suelo. Mantenga una distancia mínima de 30 mm por encima del suelo.



Regule la longitud del reposapiés como se indica a continuación:

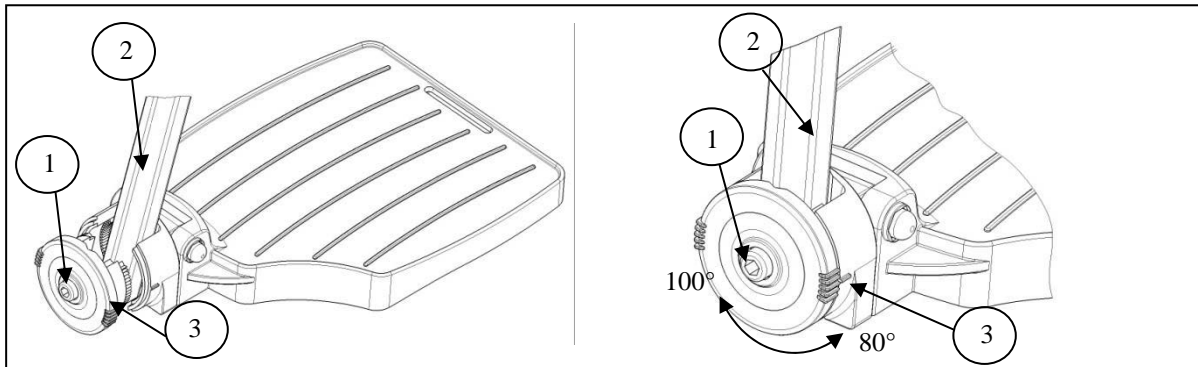
1. Retire el tornillo ① (de la parte posterior del reposapiés).
2. Ajuste la longitud del reposapiés a la medida que le resulte cómoda (Rango de: 120 mm, sin intervalos).
3. Apriete el tornillo ① correctamente.

* Ajuste de las bases del reposapiés:

Las bases del reposapiés disponen de 2 posiciones. De forma estándar están ajustados con la placa base en la posición hacia atrás.

Para ajustar las bases del reposapiés hacia delante intercambie la base del reposapiés derecho e izquierdo.

* Ajuste de las bases del reposapiés:



Ajuste el ángulo de las bases del reposapiés como se indica a continuación:

1. Afloje el tornillo ①.
2. Ajuste el tubo ② en el ángulo deseado. Las marcas ③ indican el ángulo (80°-85°-90°-95°-100°).
3. Vuelva a apretar el perno ①.

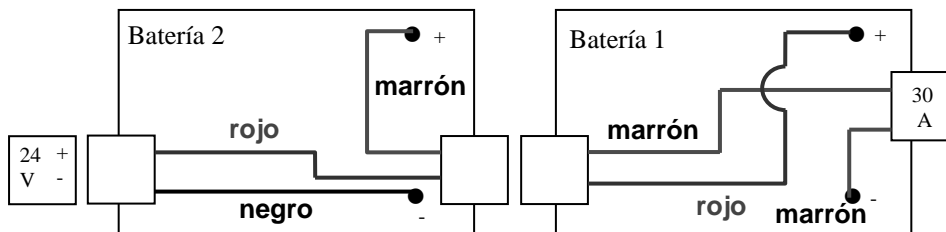
3.4 Conexiones de la baterías

- ⚠ **PRECAUCIÓN:** Riesgo de lesiones: compruebe que no se introduzca ninguna herramienta u objeto conductor entre los polos de las baterías para evitar que se produzcan flujos de corriente no deseados.
- ⚠ **PRECAUCIÓN:** Riesgo de lesiones, daños: no trabaje con baterías y sistemas electrónicos en un entorno húmedo.

Modo óptimo de desconectar las baterías:

1. Desconecte la batería 1.
2. Desconecte la batería 2.

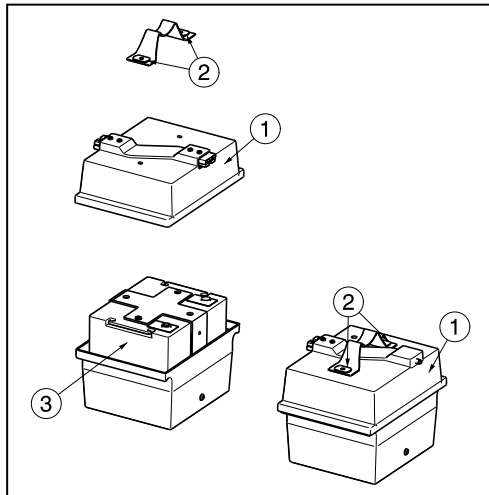
Para conectar las baterías, siga estos pasos en orden inverso.



3.5 Cambio de las baterías

- ⚠ **PRECAUCIÓN:** Riesgo de quemaduras: no entre en contacto con el ácido de las baterías. Mantenga una buena ventilación del compartimento de las baterías.

Solo personal especializado debería cambiar las baterías.



La batería puede cambiarse siguiendo estos pasos:

1. Extraiga los dos alojamientos de las baterías de la silla de ruedas.
2. Para retirar la tapa de la batería ①, afloje los pernos ② del asa ③.
3. Desconecte todos los cables de las baterías.
4. Saque las baterías ③ del alojamiento de la batería.
5. Coloque las baterías nuevas en el compartimento de las baterías.
6. Conecte todos los cables a las baterías.
7. Vuelva a colocar la tapa de la batería ① con los pernos ②.

3.6 Cambio de los neumáticos

- ⚠ **PRECAUCIÓN:** Antes de retirar el neumático, deshínchelo completamente.
- ⚠ **PRECAUCIÓN:** Riesgo de lesiones; la llanta puede dañarse si no se maneja correctamente.

Solo un experto puede garantizar un montaje correcto. Si nuestro distribuidor especializado no realiza todo el montaje, se invalida la garantía.

Utilice solo equipos de hinchado que cumplan las regulaciones e indiquen la presión en bar. No aceptamos responsabilidad alguna por daños causados al usar equipos de hinchado o ruedas no suministradas por el fabricante.

- ⚠ **ADVERTENCIA:** Riesgo de lesiones; compruebe que la presión sea correcta.
- ⚠ **PRECAUCIÓN:** Riesgo de lesiones; compruebe que no haya objetos, partes del cuerpo ni cámaras atrapadas entre el neumático y la llanta al montar un neumático.

- **Ruedas de dirección (ruedas delanteras)**

Retirada del neumático de la llanta:

1. Deshinche la cámara totalmente.
2. Inserte un desmontador de neumáticos entre el neumático y la llanta.
3. Empuje el desmontador hacia abajo lentamente y con cuidado. Así se pasará el neumático por el borde de la llanta.
4. Mueva el desmontador de neumáticos por la llanta y saldrá el neumático.
5. A continuación, retire cuidadosamente el neumático de la llanta y, luego, la cámara.

Antes de insertar la nueva cámara, tenga en cuenta lo siguiente:

Compruebe que no haya cuerpos extraños en el fondo de la llanta ni la superficie del neumático y límpielos si es necesario. Compruebe el estado del fondo de la llanta, en especial alrededor de la válvula. Use únicamente piezas de repuesto originales. No se ofrecerá responsabilidad alguna si piezas de repuesto no originales causan daños. Póngase en contacto con su distribuidor especializado.

Montaje del neumático de la llanta:



Ponga la cámara deshinchada alrededor del centro de la llanta. Compruebe que la válvula salga por el orificio de la válvula de la llanta.



Presione el neumático sobre la llanta, empezando por detrás de la válvula. Hinche la cámara ligeramente hasta que empiece a redondearse y colóquela dentro del neumático.



Si la cámara cabe bien dentro del neumático sin pliegues (si hubiera pliegues, deshínchela un poco), la parte superior del neumático puede presionarse ligeramente en la llanta con ambas manos, empezando por la válvula.

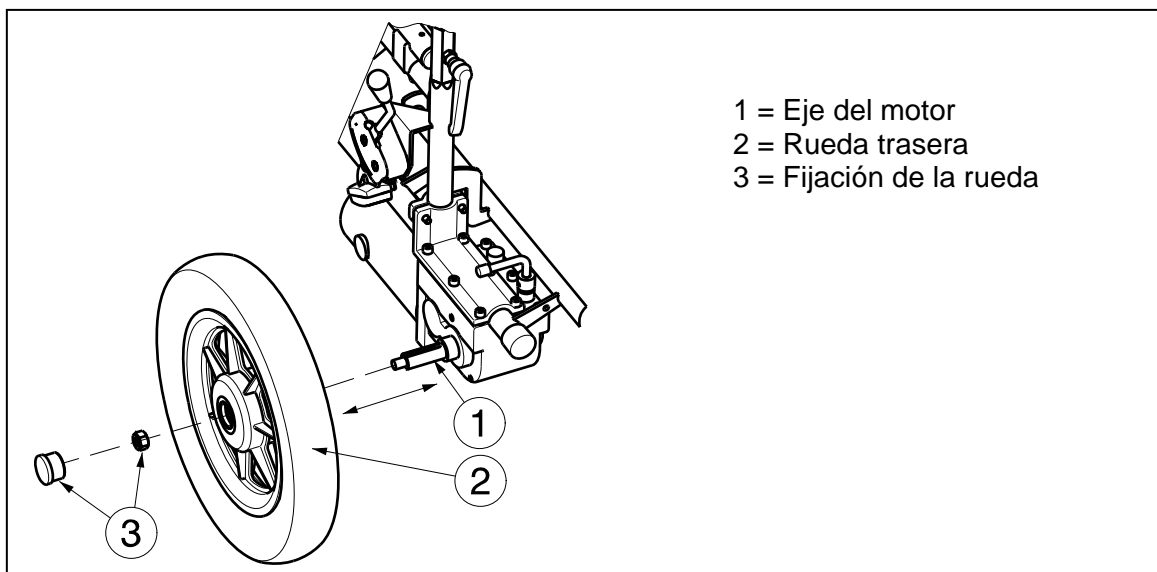
Compruebe por todos lados que la cámara no esté atrapada entre la llanta y el borde del neumático. Empuje ligeramente la válvula hacia adentro y tire de ella hacia afuera para garantizar que el neumático quede bien colocado alrededor de la válvula.

Para comprobar que la rueda esté bien colocada, inicialmente solo hínchela lo suficiente para que se pueda presionar hacia dentro con los pulgares. Si las líneas de comprobación son equidistantes del borde de la llanta en ambos lados del neumático, el neumático está bien centrado. Si no es ese el caso, deshinche el neumático y repita el proceso. A continuación, el neumático puede hincharse hasta la presión de funcionamiento total (tenga en cuenta el máximo) y puede volver a poner el capuchón de la válvula.

Cuando hinche las ruedas, compruebe siempre que la presión sea la correcta. La presión correcta se indica en la pared de los neumáticos.

- **Ruedas de tracción (ruedas traseras)**

⚠ ADVERTENCIA: Riesgo de lesiones; asegúrese de que todos los tornillos estén bien apretados a mano antes de circular con la silla de ruedas eléctrica.



DESMONTAJE

1. Afloje y extraiga los elementos de fijación de la rueda ③.
2. Saque la rueda trasera ② del eje del motor ①.

MONTAJE

1. Limpie la grasa y suciedad de las roscas y del eje del motor.
2. Monte la rueda trasera en el eje del motor, de manera que el cubo de la rueda encaje en la ranura del eje del motor.
3. Fije las ruedas con la tuerca (elementos de fijación de las ruedas ③).

4 Mantenimiento

Para las instrucciones de mantenimiento / limpieza, consulte el manual de mantenimiento por separado de las sillas de ruedas eléctricas. Remitir a estos manuales separados a su distribuidor especializado.

Spis treści

1	Opis produktu	3
1.1	Przeznaczenie	3
1.2	Parametry techniczne.....	4
1.3	Elementy składowe.....	6
1.4	Akcesoria	6
1.5	Objaśnienie symboli	6
1.6	Instrukcje bezpieczeństwa	7
2	Sposób użycia	8
2.1	Uwagi dotyczące kompatybilności elektromagnetycznej (EMC)	8
2.2	Przenoszenie elektrycznego wózka inwalidzkiego.....	9
2.3	Montaż i demontaż elektrycznego wózka inwalidzkiego.....	10
2.4	Składanie lub rozkładanie wózka	10
2.5	Montaż i demontaż oparcia.....	11
2.6	Montaż i demontaż obudowy akumulatorów	11
2.7	Montaż i demontaż podłokietnika	12
2.8	Montaż i demontaż podnóżków.....	13
2.9	Obsługa hamulców postojowych.....	13
2.10	Wsiadanie na elektryczny wózek inwalidzki i zsiadanie z niego.....	14
2.11	Prawidłowa pozycja w elektrycznym wózku inwalidzkim	14
2.12	Korzystanie z elektrycznego wózka inwalidzkiego.....	14
2.13	Obsługa hamulców elektromagnetycznych	15
2.14	Przemieszczanie po schodach.....	18
2.15	Wjeżdżanie wózkiem pod podjazdy	18
2.16	Pchanie wózka inwalidzkiego	19
2.17	Transport w samochodzie	20
2.18	Transport w samolocie.....	20
2.19	Akumulatory	21
2.20	Ładowarka akumulatorów	21
2.21	Ładowanie akumulatorów	21
2.22	Bezpiecznik termiczny	22
3	Montaż i regulacja	22
3.1	Narzędzia	22
3.2	Sposób dostawy	22
3.3	Możliwości regulacji	23
3.4	Złącza akumulatorów	24
3.5	Wymiana akumulatorów.....	25
3.6	Wymiana opon.....	25
4	Konserwacja	27

PL



Wstęp

Przede wszystkim pragniemy Państwu podziękować za zaufanie, jakim nas Państwo obdarzyli, dokonując wyboru jednego z naszych produktów.

Na szacowaną żywotność elektrycznego wózka inwalidzkiego olbrzymi wpływ ma konserwacja oraz pielęgnacja wózka.

Niniejsza instrukcja pomoże Państwu zapoznać się z obsługą wózka.

Postępowanie zgodnie z instrukcjami dotyczącymi obsługi i konserwacji stanowi zasadniczy warunek gwarancji.

Niniejsza instrukcja obsługi odzwierciedla aktualny stan produktu. Firma Vermeiren zastrzega sobie jednak prawo do wprowadzenia zmian bez obowiązku dostosowania lub wymiany wcześniej dostarczonych modeli.

W razie jakichkolwiek pytań prosimy kontaktować się ze sprzedawcą.

1 Opis produktu

1.1 Przeznaczenie

Elektryczny wózek inwalidzki Express VB jest wyposażony w dwa silniki o mocy 150 W.

Elektryczny wózek inwalidzki Express VB jest przeznaczony do wygodnego transportu osób o ograniczonej zdolności lub braku zdolności chodzenia. Wózek jest zaprojektowany do transportu jednej osoby.

Elektryczny wózek jest zaprojektowany wyłącznie do transportu osób, a nie towaru.

Nie powinny go używać osoby wyraźnie cierpiące na ograniczenia fizyczne ani umysłowe (np. upośledzenie wzroku, ...), które uniemożliwiają im bezpieczne obchodzenie się z wózkiem.

Wiele rodzajów mocowań i akcesoriów, a także modułowa konstrukcja, umożliwiają pełne użytkowanie wózka przez osoby niepełnosprawne na skutek:

- paraliżu;
- utraty kończyn (amputacji nóg);
- uszkodzenia lub deformacji kończyn;
- sztywnych lub uszkodzonych stawów;
- niewydolności serca i słabego krążenia krwi;
- zaburzeń równowagi;
- kacheksji (ubytków masy mięśniowej).

Wózek elektryczny nie powinien być wykorzystywany przez osoby, które nie są w stanie nad nim panować/obsługiwać. Jeżeli jest wykorzystywany do transportu przez opiekuna pacjent powinien być zapięty w pasy bezpieczeństwa.

Wózek jest sklasyfikowany jako produkt klasy A.

Wózek przeznaczony jest zarówno do użycia wewnątrz, jak i do ograniczonej eksploatacji na zewnątrz budynku.

Pacjent może kierować wózkiem samodzielnie. Także opiekun może prowadzić wózek, popychając go za uchwyty.

W celu dostosowania produktu do indywidualnych wymagań, należy uwzględnić następujące warunki:

- rozmiary i masa ciała (maks. 90 kg);
- stan fizyczny i psychiczny;
- warunki mieszkaniowe;
- otoczenie

Z elektrycznego wózka inwalidzkiego należy korzystać na płaskich powierzchniach, na których wszystkie cztery koła dotykają podłoża oraz kontakt jest wystarczający, aby bezpiecznie napędzać koła.

Należy przeciwdziałać pokonywaniu przeszkód (np. krawężników) oraz korzystanie z wózka na nierównych powierzchniach (kostkach brukowych itp.), pochyłościach i zakrętach. Szczególne ryzyko związane jest z pokonywaniem powierzchni, takich jak lód, trawa, gruz, liście itd.

Wózka nie należy wykorzystywać w roli drabiny, nie służy on również do transportu ciężkich lub gorących przedmiotów.

Korzystając z elektrycznego wózka inwalidzkiego na ulicy lub chodniku, należy przestrzegać lokalnych przepisów prawa.

Z wózka można korzystać na chodnikach, drogach miejskich. W żadnym wypadku nie wolno korzystać z wózka na dużych drogach ani drogach szybkiego ruchu.

Należy korzystać wyłącznie z akcesoriów zatwierdzonych przez firmę Vermeiren.

Producent nie ponosi odpowiedzialności za uszkodzenia spowodowane zaniedbaniami konserwacji, nieodpowiednim serwisowaniem bądź będące skutkiem nieprzestrzegania zaleceń zawartych w niniejszej instrukcji obsługi.

Osoby niedowidzące mogą skontaktować się ze sprzedawcą w celu uzyskania instrukcji użytkownika.

1.2 Parametry techniczne

Parametry techniczne podane poniżej opisują elektryczny wózek inwalidzki w konfiguracji standardowej oraz optymalne warunki otoczenia. Jeśli używane są akcesoria, zestawienia wartości w tabelach ulegną zmianie. Zmiany temperatury na zewnątrz, wilgotności, nachylenia podłoża, gleby oraz poziomu akumulatorów mogą pogorszyć wydajność.

Marka	Vermeiren				
Adres	Vermeirenplein 1/15, B-2920 Kalmthout				
Typ	Elektryczny wózek inwalidzki, Klasa A				
Model	Express VB				
Maksymalna waga użytkownika	90 kg				
Opis	Wymiary				
Szerokość użytkowa siedziska	390 mm	420 mm	440 mm	460 mm	500 mm
Szerokość całkowita (zależy od szerokości siedziska)	580 mm	610 mm	630 mm	650 mm	690 mm
Opis	Minimalne wymiary		Maksymalne wymiary		
Maksymalna szybkość	6 km/h				
Zasięg przy jeździe bez zatrzymań*	Okolo 18 km (Akumulatory: 38 Ah) Okolo 25 km (Akumulatory: 50 Ah)				
Długość całkowita z podnóżkiem	950 mm				
Wysokość całkowita (wraz z oparciem)	960 mm				
Długość po złożeniu/rozmontowaniu (bez podnóżków, obudowy akumulatorów)	790 mm				
Szerokość po złożeniu/rozmontowaniu (złożony wózek)	400 mm				
Wysokość po złożeniu/rozmontowaniu (ze złożonym oparciem, bez podłokietników)	710 mm (dla szerokości siedziska 460 mm; w zależności od szerokości siedziska)				
Waga całkowita	Od 67 kg (dla szerokości siedziska 390 mm; w zależności od szerokości siedziska i akcesoriów)				
Waga najcięższej części (którą można zdemontować lub zdjąć)	Rama, podłokietnik + drążek sterowy, poduszka siedziska, poduszka oparcia: Od 29,95 kg				
Waga części, które można zdemontować lub zdjąć.	Podłokietnik z drążkiem sterowym: 1,60 kg; Podnóżki: 1,85 kg; Obudowa akumulatorów: 15,90 kg / sztuki; (Akumulatory: 13,5 kg / sztuki); Oparcie: 1,80 kg				
Stabilność statyczna przy pochyłości	7,5°				
Stabilność statyczna pod górę	12°				
Stabilność statyczna w poprzek	10°				
Maks. bezpieczne nachylenie	7°				
Zdolność pokonywania przeszkód	15 mm				
Prześwit	30 mm				





Marka	Vermeiren	
Adres	Vermeirenplein 1/15, B-2920 Kalmthout	
Typ	Elektryczny wózek inwalidzki, Klasa A	
Model	Express VB	
Maksymalna waga użytkownika	90 kg	
Opis	Minimalne wymiary	Maksymalne wymiary
Kąt nachylenia siedziska	5°	
Głębokość użytkowa siedziska	430 mm	
Grubość poduszki siedziska	40 mm	
Wysokość przedniej krawędzi siedziska (z poduszka siedziska)	540 mm	
Kąt nachylenia oparcia	5°	
Wysokość oparcia	430 mm	
Odległość siedziska od podnóżka	400 mm	520 mm
Kąt pomiędzy podnóżka a płyta podnóżka	80 °	100 °
Kąt pomiędzy siedziskiem a podnóżka	105°	
Kąt pomiędzy siedziskiem a płyta podnóżka	5°	25°
Odległość siedziska od podłokietnika	225 mm	315 mm
Przednia pozycja podłokietnika	400 mm	
Silniki napędowe	2 x 150W + Elektromagnetyczny układ hamowania	
Akumulatory	2 x 12V --- AGM / 38 Ah lub 50Ah / 20 h	
Ładowarka akumulatorów	Przeczytaj osobną instrukcję załączoną do ładowarki. Używaj tylko ładowarki dostarczonej wraz z wózkiem elektrycznym	
Bezpiecznik termiczny	30 AMP	
Moduł sterowania	Przeczytaj osobna instrukcje do modułu sterowania	
Minimalna średnica skrętu	Okolo 1400 mm	
Szerokość zawracania	Nie dotyczy	
Średnica tylnych kół (liczba)	12 1/2 x 2 1/4" napompowane (2)	
Ciśnienie w oponach, tylne koła **	Maksymalnie 2,5 bara	
Średnica kół przednich (liczba)	8 x 1 3/4 mm napompowane (2)	
Ciśnienie w oponach, koła przednie **	Maksymalnie 2,5 bara	
Poziom hałasu	< 65 dB (A)	
Temperatura przechowywania i użytkowania	-20 °C do +40 °C	
Temperatura robocza części elektronicznych	-10 °C do +40°C	
Wilgotność powietrza do przechowywania i użytkowania	30%	70%
Producent zastrzega sobie prawo do wprowadzania zmian parametrów technicznych. Tolerancja pomiarów ± 15 mm / 1,5 kg / °.		
* Teoretyczna odległość, jaką można przejechać jest mniejsza, jeżeli wózek jest często używany na powierzchniach pochyłych, nierównym podłożu lub w celu podjechania pod krawężniki.		
**Istnieje możliwość używania różnych opon, dlatego należy zwrócić uwagę na prawidłowe ciśnienie robocze w zastosowanych oponach. W przypadku opon o innej średnicy należy skonsultować się z wyspecjalizowaną sprzedawcą.		

Tabela 1: Parametry techniczne

Wózek inwalidzki spełnia wymogi następujących norm:

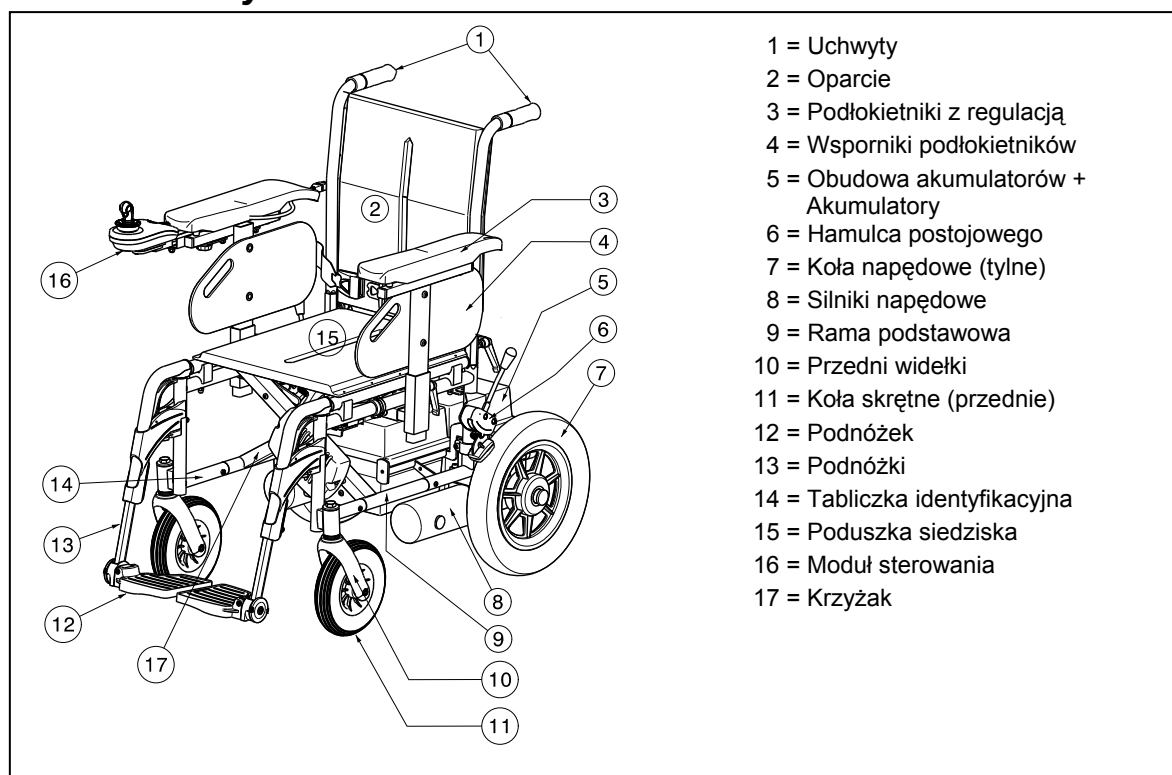
ISO 7176-8: Wymogi i metody testowania sił działających w bezruchu, przy uderzeniu oraz zmęczeniu materiału.

ISO 7176-14: Wózki inwalidzkie - Część 14: Układy zasilania i sterowania wózków inwalidzkich z napędem elektrycznym -- Wymagania i metody badań

EN 1021-1: Meble — Ocena zapalności mebli tapicerowanych — Część 1: źródło zapłonu: tłący się papieros

EN 1021-2: Meble — Ocena zapalności mebli tapicerowanych — Część 2: źródło zapłonu: równoważnik płomienia zapalki

1.3 Elementy składowe



1.4 Akcesoria

Dla modelu Express VB są dostępne następujące akcesoria:

- Nachylenie oparcia (SE52)
- Formowane oparcie i siedzisko (L24 / L25)

1.5 Objaśnienie symboli



Waga maksymalna



Użycie wewnątrz i na (Ograniczoną) zewnątrz budynków



Użycie wewnątrz budynków (ładowarka akumulatorów)










Oddzielna regeneracja i recykling urządzeń elektrycznych i elektronicznych (ładowarka akumulatorów)



Klasa zabezpieczeń II



Maks. bezpieczne nachylenie

-  CE deklaracja
-  Prędkość maksymalna
km/h
-  Pozycja: Hamulce postojowe włączone (możliwe jest użycie napędu elektrycznego)
-  Pozycja: Hamulce postojowe wyłączone (możliwa jest użycie trybu swobodnego obrotu oraz pchanie wózka, nie jest możliwe użycie napędu elektrycznego)
-  W trybie swobodnego obrotu należy unikać jazdy po powierzchniach pochyłych
-  Nie nadaje się do użytku jako fotel w pojeździe silnikowym
-  Oznaczenie typu

1.6 Instrukcje bezpieczeństwa

- ⚠ Aby zapobiec odniesieniu obrażeń lub uszkodzeniu wózka, należy upewnić się, że żadne przedmioty ani części ciała nie mogą wkręcić się w szprychy kół napędowych.
- ⚠ Należy przestrzegać instrukcji użytkowania wózka, np. unikać wjeżdżania na przeszkody bez hamulców (stopień, krawędź krawężnika) lub zjeżdżania ze stopni.
- ⚠ Podczas siadania na wózek inwalidzki oraz zsiadania z niego nie wolno stawać na podnóżkach. Należy je wcześniej podnieść do góry.
- ⚠ Należy sprawdzić wpływ zmiany środka ciężkości na działanie wózka, na przykład podczas jazdy po pochyłych nawierzchniach, przy bocznych przechyłach lub przy omijaniu przeszkód. Opiekun powinien udzielić pomocy.
- ⚠ Nie należy wychylać się zbyt mocno z wózka w celu podniesienia przedmiotu leżącego z przodu, z boku lub z tyłu wózka. Groziłoby to przewróceniem wózka.
- ⚠ W przypadku przemieszczania wózka przez drzwi i inne przejścia, należy upewnić się, że po obydwu stronach jest wystarczająco dużo miejsca, aby uniknąć zranienia rąk lub uszkodzenia wózka.
- ⚠ Przykładowo nie należy dopuszczać do niekontrolowanego uderzania o przeszkody (stopnie, krawężniki, futryny itd.) i uważać, aby wózek nie spadł z występów. Producent nie ponosi odpowiedzialności za szkody wynikłe z przeciążenia, kolizji lub innego niewłaściwego użytkowania.
- ⚠ Podczas jazdy w miejscach publicznych użytkownik podlega przepisom prawnym.
- ⚠ Zdolność jazdy ulega zmniejszeniu pod wpływem leków lub alkoholu.
- ⚠ Podczas jazdy na zewnątrz należy dostosować się do warunków pogodowych i drogowych.
- ⚠ Nie należy korzystać z wózka w warunkach deszczowych.
- ⚠ Podczas poruszania się po powierzchniach pochyłych nie należy korzystać z trybu wolnych kół.
- ⚠ Nie wolno zawracać pod górę.
- ⚠ Na zakrętach należy ograniczyć prędkość.
- ⚠ Aby zapewnić lepszą widoczność podczas jazdy w ciemności należy mieć na sobie jaskrawe ubranie, aby być bardziej widocznym, lub ubranie z elementami odblaskowymi i sprawdzić, czy reflektory wózka inwalidzkiego są dobrze widoczne.
- ⚠ Należy sprawdzić, czy światła i reflektory wózka inwalidzkiego są wolne od zabrudzeń i/lub innych przedmiotów, które mogłyby je ukrywać.
- ⚠ Przy przenoszeniu wózka nie należy chwytać za ruchome części (koła, podłokietniki, podnóżki itp.).

- ⚠ Podczas transportu wózka nie można przenosić razem z nim żadnej osoby.
- ⚠ Nie wolno także przewozić żadnych dodatkowych pasażerów.
- ⚠ Przechowując lub parkując wózek na zewnątrz, należy go przykryć, aby zabezpieczyć przed wilgocią.
- ⚠ Wysoki poziom wilgotności lub bardzo niska temperatura mogą negatywnie wpłynąć na działanie wózka.
- ⚠ Nigdy nie należy używać wózka jako siedzenia w pojeździe mechanicznym.
- ⚠ Nigdy nie należy przekraczać maksymalnego obciążenia (90 kg).
- ⚠ Należy korzystać wyłącznie z akcesoriów zatwierdzonych przez firmę Vermeiren.
- ⚠ Przed wsiadaniem lub zsiadaniem z wózka, jego demontażem lub transportowaniem należy go wyłączyć za pomocą przycisku "ON/OFF" (Włącz/wyłącz).
- ⚠ Należy sprawdzić, czy głębokość profilu opon jest właściwa.
- ⚠ Jeżeli elektryczny wózek inwalidzki jest wyposażony w opony pneumatyczne, należy je właściwie napompować (*patrz wskazanie ciśnienia na oponach*).
- ⚠ Poruszanie się po schodach jest możliwe jedynie pod opieką drugiej osoby. Jeżeli dostępne są takie urządzenia jak podjazdy czy windy, należy z nich skorzystać.
- ⚠ Ryzyko odniesienia obrażeń w przypadku natychmiastowego zatrzymania — należy zawsze zapinać pas bezpieczeństwa.
- ⚠ Należy korzystać z pasów bezpieczeństwa w przeciwnym wypadku istnieje możliwość wywrócenia się wózka podczas maksymalnego wychylenia się.

2 Sposób użycia

W niniejszym rozdziale opisano normalne użytkowanie wózka. **Instrukcje te są przeznaczone dla użytkownika oraz wyspecjalizowanego sprzedawcy.**

Aby uzyskać informację o odpowiednim punkcie serwisowym lub wyspecjalizowanym sprzedawcy, należy skontaktować się z najbliższym przedstawicielem firmy Vermeiren. Wykaz przedstawicieli firmy Vermeiren podano na ostatniej stronie.

Elektryczny wózek inwalidzki jest dostarczany klientowi po złożeniu przez wyspecjalizowanego sprzedawcę. Instrukcje dot. regulacji wózka przeznaczone dla wyspecjalizowanego sprzedawcy zawiera § 3.

2.1 Uwagi dotyczące kompatybilności elektromagnetycznej (EMC)

Elektryczny wózek inwalidzki został przetestowany zgodnie z normami EN 61000-4-3 oraz EN 61000-4-2 dotyczącymi kompatybilności elektromagnetycznej.

Pragniemy zwrócić uwagę, że źródła fal elektromagnetycznych mogą powodować zakłócenia. Części elektroniczne wózka inwalidzkiego mogą także oddziaływać na inne urządzenia elektryczne.

Aby ograniczyć zakłócenia powodowane przez źródła elektromagnetyczne, należy przeczytać poniższe ostrzeżenia:

- ⚠ **OSTRZEŻENIE: Wózek może zakłócać działanie znajdujących się w pobliżu urządzeń, które emitują pole elektromagnetyczne.**
- ⚠ **OSTRZEŻENIE: Pola elektromagnetyczne (np. prądnice lub źródła wysokiej mocy) mogą wpływać na działanie wózka.**
- ⚠ **OSTRZEŻENIE: Podczas gdy wózek jest włączony, nie należy korzystać z przenośnych odbiorników telewizyjnych i radiowych w jego bezpośrednim otoczeniu.**
- ⚠ **OSTRZEŻENIE: Podczas gdy wózek jest włączony, nie należy korzystać z nadajników-odbiorców w jego bezpośrednim otoczeniu.**

- ⚠ OSTRZEŻENIE: Nie należy korzystać z wózka w pobliżu masztów nadawczych.**
- ⚠ OSTRZEŻENIE: W przypadku wystąpienia niezamierzonych ruchów lub hamowania, należy wyłączyć wózek natychmiast, gdy warunki będą na to pozwalać.**

Zakłócające pola elektromagnetyczne mogą negatywnie wpływać na systemy elektroniczne znajdujące się w wózku. W tym powodować:

- Rozłączenie hamulca silnika
- Niekontrolowane działanie wózka
- Niezamierzony ruch wózka

W przypadku obecności bardzo silnych lub długotrwałych pól, które powodują zakłócenia, systemy elektroniczne mogą nawet całkowicie się zepsuć lub ulec trwałemu uszkodzeniu.

Możliwe źródła promieniowania to:

- Przenośne systemy odbiorników i nadajników (odbiornik i nadajnik z przymocowaną anteną)
 - Zestawy nadajników i odbiorników
 - Przenośne odbiorniki telewizyjne i radiowe oraz urządzenia nawigacyjne
 - Inne osobiste urządzenia nadawcze
- Przenośne urządzenia nadawcze i odbiorcze o średnim zasięgu (np. anteny samochodowe)
 - Przymocowane zestawy nadajników i odbiorników
 - Przymocowane przenośne urządzenia nadawcze i odbiorcze
 - Przymocowanie odbiorniki radiowe i telewizyjne oraz urządzenia nawigacyjne
- Urządzenia nadawcze i odbiorcze dalekiego zasięgu
 - Wieże radiowe i telewizyjne
 - Amatorskie zestawy radiowe
- Inne urządzenia domowe
 - Odtwarzacz CD
 - Notebook
 - Kuchenka mikrofalowa
 - Magnetofon kasetowy
 - itd.

Urządzenia takie jak golarki elektryczne i suszarki do włosów nie mają żadnego wpływu na działanie wózka, pod warunkiem, że działają bez zarzutu, a ich okablowanie jest w doskonałym stanie. Aby zapewnić niezakłócone działanie wózka, należy zapoznać się z instrukcją obsługi dołączoną do takich urządzeń elektrycznych.

2.2 Przenoszenie elektrycznego wózka inwalidzkiego

Najlepszym sposobem przenoszenia elektrycznego wózka inwalidzkiego jest skorzystanie z trybu wolnych kół. Należy włączyć tryb wolnych kół i, prowadząc wózek za uchwyty, przejechać nim dożądanego miejsca.

W przypadku konieczności wniesienia wózka po schodach lub zniesienia go ze schodów, należy to zrobić z użyciem podjazdu lub podnośnika. Wnoszenie wózka po schodach oraz znoszenie go ze schodów, czy nawet pokonywanie pojedynczych schodków to czynności, które należy wykonywać w dwie osoby.

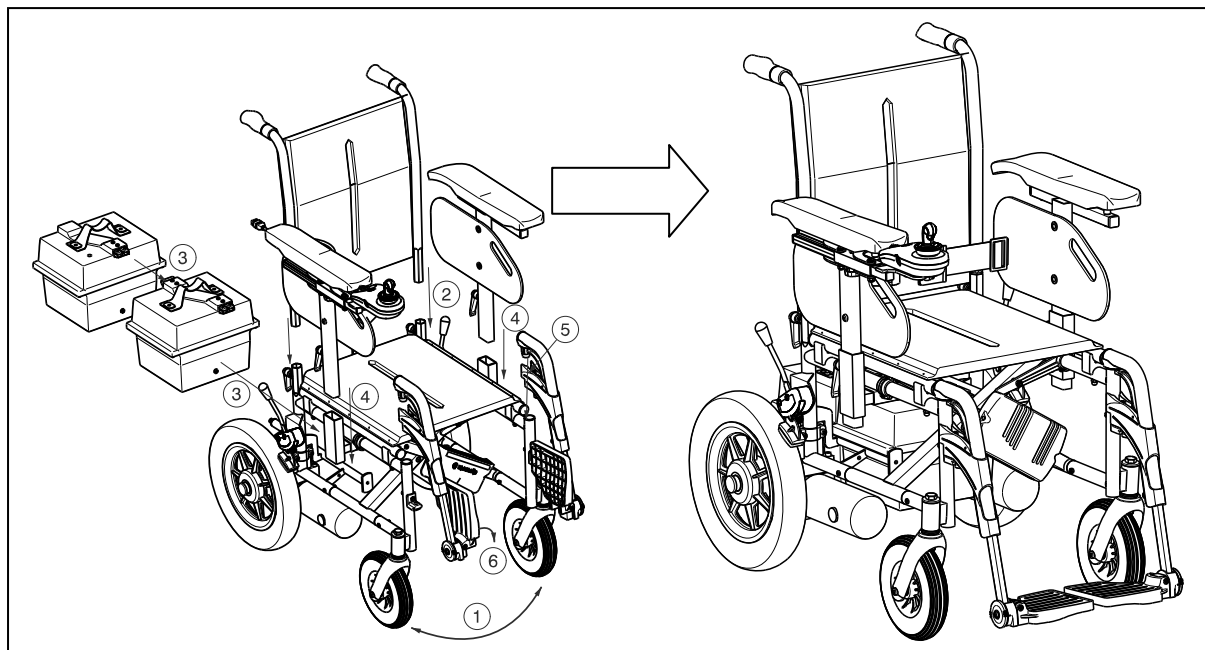
Wózek można również przenieść po jego rozmontowaniu. Wózek można również przenieść po jego rozmontowaniu. Rozmontowane elementy (ramę, podłokietniki, podnóżki, obudowa akumulatorów, oparcie) można przenieść do miejsca docelowego. Wózek należy chwycić wyłącznie za stałe części ramy (nie wolno łąpać za podnóżki, podłokietniki ani koła).

2.3 Montaż i demontaż elektrycznego wózka inwalidzkiego

Elektryczny wózek inwalidzki jest dostarczany w postaci całkowicie zmontowanej. Sprzedawca dostarcza całkowicie zmontowany wózek inwalidzki i informuje o różnych elementach operacyjnych oraz o sposobie ich użycia. Jednak dla Państwa bezpieczeństwa pragniemy jeszcze raz przedstawić szczegółowy opis różnych części.

2.3.1 Montaż elektrycznego wózka inwalidzkiego

⚠ PRZESTROGA: Ryzyko przytraśnięcia — należy upewnić się, że żadna z linek nie została zgnieciona lub przytraśnięta.



Aby zmontować elektryczny wózek inwalidzki:

1. Rozłóż wózek (rozdział 2.4).
2. Zamontuj oparcie (rozdział 2.5).
3. Zamontuj 2 obudowy baterii (rozdział 2.6).
4. Zamontuj podłokietnika (rozdział 2.7).
5. Zamontuj podnóżki (rozdział 2.8).
6. Rozłóż płyty podnóżka.

Aby rozmontować wózek, należy wykonać czynności odwrotne do przedstawionych powyżej.

2.4 Składanie lub rozkładanie wózka

⚠ PRZESTROGA: Ryzyko przytraśnięcia — palce, zapięcia i odzież należy trzymać w bezpiecznej odległości od ruchomych części wózka (np. krzyżaka itp).

Aby rozłożyć wózek:

1. Stań za wózkiem inwalidzkim.
2. Trzymając za uchwyty, maksymalnie rozłóż wózek.
3. Stań przed wózkiem inwalidzkim.
4. Dociśnij obie rurki siedziska w dół, aż zostaną zablokowane na pozycjach.
5. Umieść obudowa akumulatorów na prowadnicach.

Aby złożyć wózek:

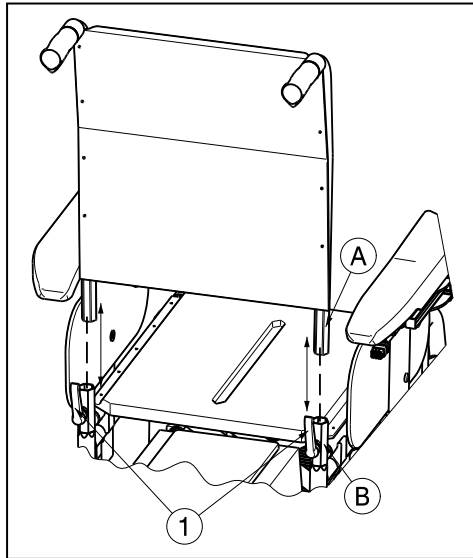
1. Zdemontuj obudowa akumulatorów.
2. Złóż lub wymontuj płyty podnóżków (patrz § 2.8).
3. Chwyć siedzenie za przód i oparcie, a następnie pociągnij w górę.

2.5 Montaż i demontaż oparcia

⚠ OSTRZEŻENIE: Ryzyko urazu — należy upewnić się, że obie dźwignie zabezpieczające ① są zamontowane.

⚠ PRZESTROGA: Możliwość przytraśnięcia — Nie należy wkładać palców między rurki oparcia.

Podczas transportu oparcie wózka można w całości wymontować i położyć na siedzisku.



Aby zamontować oparcie:

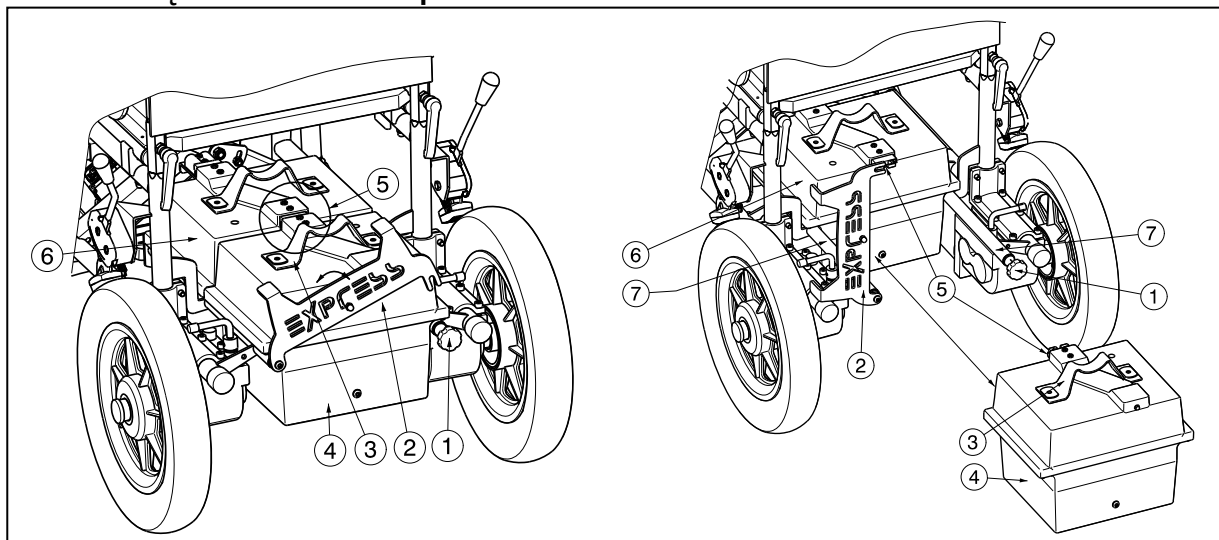
1. Sprawdź, czy dźwignie ① zostały zaciśnięte. Jeśli tak jest, poluźnij dźwignie ①.
2. Zamontuj rurki oparcia ① w sześciokątnych rurkach ramy ②.
3. Zaciśnij odpowiednio dźwignie ①.

Aby zdemontować oparcie:

1. Przekręć dźwignie ①, aż do ich uwolnienia.
2. Wymontuj rurki oparcia ① z sześciokątnych rurek ramy ②.
3. Na czas przenoszenia połóż oparcie na siedzisku.

2.6 Montaż i demontaż obudowy akumulatorów

⚠ PRZESTROGA: Możliwość przytraśnięcia — Nie należy wkładać palców między obudowę akumulatorów a prowadnice.



Aby zamontować obudowę akumulatorów :

1. Złap za rączkę ③ pierwsza obudowa baterii (bez bezpiecznika termicznego) ⑤.
2. Podnieś obudowę baterii ⑤ i zamontuj na szynach bocznych ⑦.
3. Pchnij obudowę baterii ⑤ w miarę możliwości jak najdalej pod siedzisko. Sprawdź czy złącza (bateria, moduł zasilania są podłączone).

4. Złap za rączkę ③ od obudowy baterii (z bezpiecznikiem termicznym) ④.
5. Podnieś obudowę baterii ④ i zamontuj na szynach bocznych ⑦
6. Wciśnij obudowę baterii ④ wstecz
7. Sprawdź czy wszystkie złącza ⑤ pasują do siebie
8. Obróć płytę ② w dół.
9. Dokręć wkręt gwiazdkowy ①.

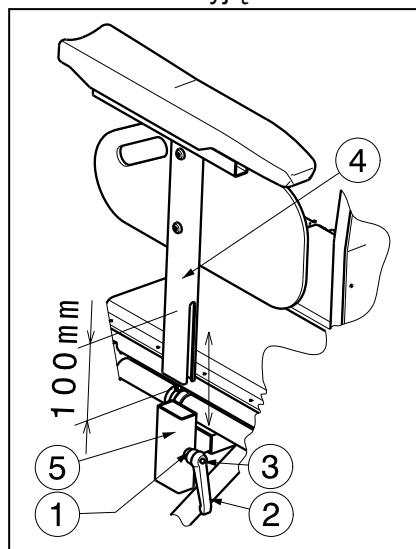
Aby zdemontować obudowę akumulatorów :

1. Poluzuj wkręt gwiazdkowy ①.
2. Obróć płytkę ② ku górze a następnie w lewo.
3. Chwyć za rączkę ③ z pierwszej obudowy baterii (obudowa z bezpiecznikiem termicznym) ④.
4. Przesun obudowę baterii do tyłu, aż do złącza baterii ⑤ w ten sposób obudowa jest poluzowana.
5. Podnieś pierwszą obudowę baterii ④ z wózka.
6. Przesuń drugą obudowę baterii ⑥ do tyłu, aż będzie można podnieść obudowę z ramy wózka
7. Podnieś drugą obudowę baterii ⑥ z wózka.

2.7 Montaż i demontaż podłokietnika

- ⚠ **OSTRZEŻENIE:** Ryzyko urazu lub uszkodzenia wózka — należy upewnić się, że wszystkie dźwignie ① zostały odpowiednio zaciśnięte.
- ⚠ **OSTRZEŻENIE:** Ryzyko przewrócenia się - upewnij się, że podłokietniki po obu stronach są na takiej samej wysokości.
- ⚠ **PRZESTROGA:** Ryzyko przytrzaśnięcia — palce, zapięcia i odzież należy trzymać z dala od miejsc mocowania podłokietników.

Można wyjąć podłokietniki, aby przemieścić pacjenta na bok. Podłokietniki można także wyjąć w celach terapeutycznych oraz aby zdjąć pacjenta z wózka.



Aby rozłożyć podłokietnik:

1. Zamontuj podłokietnik ④ w prostokątnej rurce ⑤.
2. Należy zaciśnąć odpowiednio uchwyt ①. (Jeżeli dźwignia uchwytu ② nie znajduje się w odpowiednim położeniu, należy nacisnąć przycisk ③ znajdujący się na uchwycie i umieść dźwignię ② w odpowiednim położeniu, aby uniknąć ryzyka urazu rąk.)

Aby zdemontować podłokietnik:

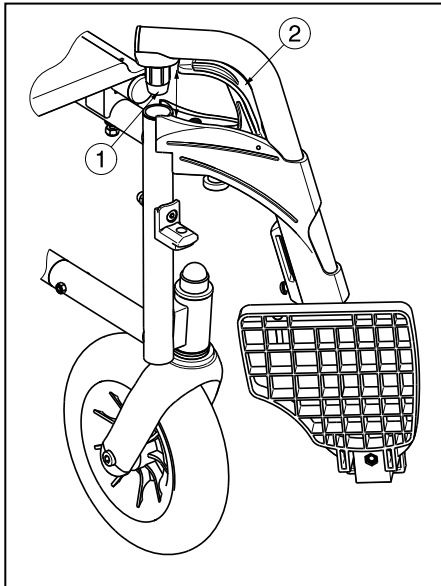
1. Przekręć uchwyt ①, aż do jego uwolnienia. (Jeżeli dźwignia uchwytu ② nie znajduje się w odpowiednim położeniu, należy nacisnąć przycisk ③ znajdujący się na uchwycie i umieść dźwignię ② w odpowiednim położeniu, aby uniknąć ryzyka urazu rąk.)
2. Wyciągnij podłokietnik ④ z prostokątnej rurki ⑤.

Wysokość podłokietników można regulować w zakresie 90 mm (płynna regulacja). Należy zachować bezpieczny odstęp 10 mm od spodniej części podłokietnika.

1. Nieznacznie poluznij dźwignię ①.
2. Przesuń rurki prostokątne ④ i ⑤ względem siebie do momentu uzyskania odpowiedniej wysokości podłokietnika.
3. Odpowiednio dociśnij dźwignię ①.
4. Upewnij się, że dźwignia ① jest prawidłowo zaciśnięta.
5. Ustaw drugi podłokietnik w takim sam sposób.

2.8 Montaż i demontaż podnóżków

⚠ PRZESTROGA: Ryzyko urazu — należy upewnić się, że oba podnóżki są pewnie zamontowane.



Aby zamontować podnóżki:

1. Przytrzymaj podnóżek w poprzek po zewnętrznej stronie ramy wózka i zamontuj rurkę ① w ramie.
2. Należy obrócić podnóżek do wewnątrz, aż wskoczy na swoje miejsce.
3. Obrócić płytę podnóżka w dół.
4. Sprawdź, czy podnóżek jest odpowiednio zamocowany.

Aby zdemontować podnóżki:

1. Pociągnij za uchwyt ②.
2. Obrócić podnóżek na zewnątrz wózka, aż uwolni się z ograniczników.
3. Wyciągnij rurkę podnóżka z ramy ①.

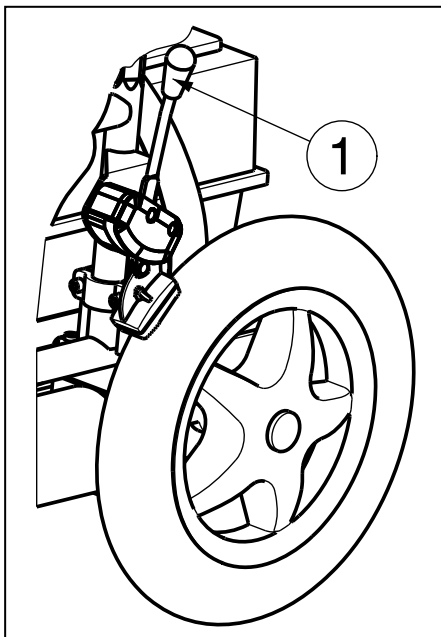
2.9 Obsługa hamulców postojowych

Każde koło wózka zostało wyposażone w standardowe hamulce postojowe.

⚠ OSTRZEŻENIE: Hamulce nie służą do spowalniania wózka inwalidzkiego w trakcie ruchu – należy ich używać wyłącznie, aby nie dopuścić do niepożądanych ruchów wózka.

⚠ OSTRZEŻENIE: Prawidłowe działanie hamulców zależy od ich zużycia i zanieczyszczenia opon (woda, olej, błoto itp.) — Należy sprawdzić stan opon przed każdym użyciem.

⚠ OSTRZEŻENIE: Hamulce są regulowane i mogą ulec zużyciu – należy sprawdzać stan hamulców przed każdym użyciem.



Aby zaciągnąć hamulec:

1. Należy popchnąć dźwignie hamulców ① w przód, aż da się słyszeć wyraźne kliknięcie.

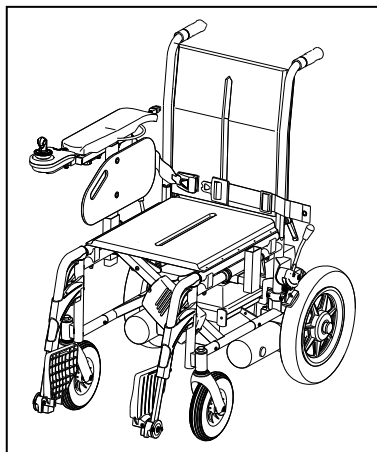
⚠ PRZESTROGA: Ryzyko niezamierzonego ruchu – przed zwolnieniem hamulców należy upewnić się, że wózek inwalidzki znajduje się na płaskiej, poziomej powierzchni. Nigdy nie należy zwalniać obu hamulców jednocześnie.

Aby zwolnić hamulce:

1. Zwolnij jeden hamulec, pociągając dźwignię ① w tył.
2. Zwolnij drugi hamulec, pociągając dźwignię w tył.

2.10 Wsiadanie na elektryczny wózek inwalidzki i zsiadanie z niego

- ⚠ **OSTRZEŻENIE:** Należy zmniejszyć pobór mocy przed wsiadaniem na wózek lub zsiadaniem z niego.
- ⚠ **PRZESTROGA:** Jeśli nie można samemu bezpiecznie położyć się na łóżku rehabilitacyjnym lub wstać z niego, należy poprosić kogoś o pomoc.
- ⚠ **PRZESTROGA:** Ryzyko urazu – nie należy używać drążka sterowego, podnóżków, podpór podłokietników w celu podpierania się.
- ⚠ **PRZESTROGA:** Ryzyko przewrócenia wózka – nie wolno stawać na płytach podnóżka.



1. Należy parkować wózek jak najbliżej miejsca przemieszczania.
2. Upewnij się, że moduł sterowania jest wyłączony. Upewnij się, że wózek NIE JEST ustawiony w tryb wolnych kół.
3. Należy odchylić płyty podnóżka w górę, aby uniknąć stawania na nich.
4. Jeśli dziecko będzie przenoszone w kierunku bocznym, należy zdemonować podpórę podłokietnika z tej strony.
5. Wsiądź na elektryczny wózek inwalidzki i zsiadanie z niego.

2.11 Prawidłowa pozycja w elektrycznym wózku inwalidzkim

Zalecenia dotyczące wygodnego korzystania z elektrycznego wózka inwalidzkiego:

1. Należy ułożyć plecy tak blisko oparcia, jak to możliwe.
2. Upewnij się, że uda ułożone są w poziomie — w razie potrzeby dostosuj długość podnóżków

2.12 Korzystanie z elektrycznego wózka inwalidzkiego

- ⚠ **OSTRZEŻENIE:** Ryzyko poparzenia - należy zachować ostrożność podczas przewożenia przy bardzo wysokich i niskich temperaturach (na ostrym słońcu, mrozie, itp.) przez dłuższy czas i przy kontakcie ze skórą - powierzchnie mogą przyjmować temperaturę otoczenia.
- ⚠ **OSTRZEŻENIE:** Ryzyko dokonania nastaw zagrażających bezpieczeństwu - należy używać wyłącznie nastaw opisanych w niniejszej instrukcji.

2.12.1 Przygotowanie elektrycznego wózka inwalidzkiego do użycia

Przy korzystaniu z wózka po raz pierwszy upewnij się, że wózek stoi na równym podłożu. Wszystkie koła muszą być w kontakcie z podłożem.

1. Upewnij się, że tryb wolnych kół jest WYŁĄCZONY, i że moduł sterowania jest wyłączony.
2. Dostosuj wózek do własnych potrzeb.
3. Ustaw moduł sterowania w żądanym położeniu.
4. Usiądź na siedzisku i sprawdź, czy obydwa podłokietniki umożliwiają zgięcie przedramion w dół.
5. Włącz wózek za pomocą przycisku "ON/OFF" (WŁ./WYŁ.) znajdującego się na module sterowania.

Za pomocą modułu sterowania należy ustawić prędkość na minimalną wartość. Elektryczny wózek inwalidzki jest gotowy do użycia.

2.12.2 Obchodzenie się z wózkiem po użyciu

Przed zejściem z wózka należy upewnić się, że wszystkie cztery koła dotykają podłoża. Należy nacisnąć przycisk WŁ./WYŁ. znajdujący się na module sterowania, wyświetlacz modułu zostanie wyłączony.

2.13 Obsługa hamulców elektromagnetycznych

Aby zatrzymać elektryczny wózek inwalidzki, puść joystick.

2.13.1 Parkowanie elektrycznego wózka inwalidzkiego

Po wyłączeniu wózka, nie można przekazać żadnych poleceń do systemu napędowego. Zawsze należy parkować wózek łatwo dostępnych miejscach oraz na równej powierzchni, na której wszystkie cztery koła dotykają podłoża.

2.13.2 Moduł sterowania

Instrukcje dotyczące korzystania z modułu sterowania można znaleźć w oddzielnej instrukcji użytkownika, która została dołączona do wózka.

Zmiana oprogramowania jest dopuszczona tylko, jeśli jest wykonana przez firmę Vermeiren. W celu wykonania zmian w oprogramowaniu należy skontaktować się z firmą Vermeiren.

2.13.3 Regulacja modułu sterowania

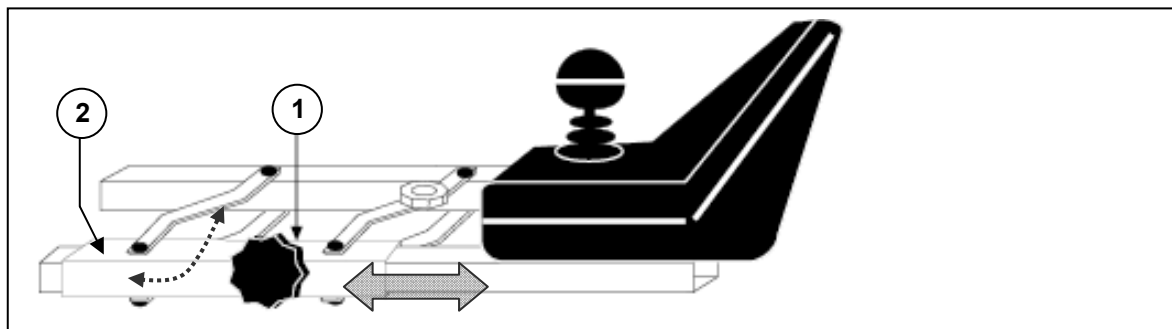
⚠ PRZESTROGA: Ryzyko przytrzaśnięcia — nie należy umieszczać palców w przestrzeni między modulem sterowania i innymi częściami podczas ustawiania modułu sterowania.

Aby zmienić ustawienie modułu sterowania w pozycji poziomej:

1. Odkręć nieznacznie śruby ① znajdujące się pod podłokietnikiem.
2. Ustaw moduł sterowania w pożądanym położeniu lub zdejmij moduł sterowania.
3. Przykręć ponownie śruby ①.

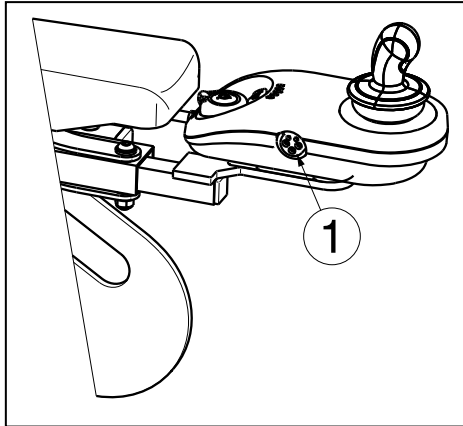
Po wyjęciu śruby ① moduł sterowania można przekręcić na bok.

UWAGĘ: W zależności od funkcji wózka śruba ① może także znajdować się pod rurką wiodącą ②.



2.13.4 Złącza ładowarki akumulatorów / modułu programowania

⚠ OSTRZEŻENIE: Ryzyko urazu - przed rozpoczęciem jazdy wózkiem inwalidzkim należy sprawdzić, czy wszystkie wtyczki (od ładowarki akumulatorów i modułu programowania) zostały wyjęte.



Gniazdo ① do podłączenia ładowarki akumulatorów znajduje się z przodu modułu sterowania. Znajduje się tutaj także złącze modułu programowania, który może być podłączany i używany wyłącznie przez upoważnione do tego osoby, które ukończyły szkolenie dotyczącego jego programowania (personel firmy Vermeiren).

Zwróć uwagę, aby w momencie naciskania przycisku Wł./Wył. dźwignia sterująca znajdowała się w neutralnym położeniu środkowym, gdyż w przeciwnym razie dojdzie do zablokowania układu elektronicznego. Ten problem można rozwiązać poprzez wyłączenie a następnie ponowne włączenie modułu sterowania.

2.13.5 Pierwsze użycie

⚠ OSTRZEŻENIE: Kontroluj działanie elektrycznego wózka inwalidzkiego - należy zapoznać się ze sposobem jazdy.

- Jazda

Należy usiąść w wózku, wykonać jego regulację i popchnąć dźwizek sterowy w wymaganym kierunku, tj.:

POPCHNIĘCIE DO PRZODU = RUCH DO PRZODU
POPCHNIĘCIE DO TYŁU = RUCH DO TYŁU

- Hamowanie

Aby zahamować, należy puścić dźwizek sterowy, co spowoduje jego powrót do położenia zerowego oraz zwolnienie wózka, aż do łagodnego zatrzymania. Należy przećwiczyć ruszanie i hamowanie, aby przyzwycząić się do działania wózka. Użytkownik wózka musi umieć ocenić, jak zachowa się wózek podczas jazdy lub hamowania.

- Pokonywanie zakrętów i łuków

⚠ OSTRZEŻENIE: Ryzyko przewrócenia - przed wejściem w zakręt lub łuk należy ograniczyć prędkość.

⚠ OSTRZEŻENIE: Ryzyko przytrzaśnięcia - zawsze należy zachować odpowiednią odległość od zakrętów i przeszkód.

Należy przesunąć dźwizek sterowy w kierunku skrętu. Przednie koła skrecają w tym kierunku, co spowoduje skierowanie wózka w nowym kierunku. Należy koniecznie upewnić się, że wózek ma wystarczająco miejsca, aby pokonać zakręt lub łuk. Wąskie przejazdy należy pokonywać dużym łukiem, aby wejść prosto w ich w największą część.

Nie należy wchodzić w zakręty i łuki na ukos. "Ścięcie zakrętu" może spowodować uderzenie tylnych kół lub tylnej części wózka o przeszkodę i co za tym idzie destabilizację wózka.

2.13.6 Jazda do tyłu

- ⚠ **OSTRZEŻENIE:** Kontroluj działanie elektrycznego wózka inwalidzkiego - należy zapoznać się ze sposobem jazdy.
- ⚠ **OSTRZEŻENIE:** Ogranicz prędkość - zawsze należy poruszać się do tyłu jak najwolniej.
- ⚠ **OSTRZEŻENIE:** Ryzyko kolizji - podczas poruszania się do tyłu zawsze patrz za siebie.

Jazda do tyłu wymaga zwiększonej koncentracji oraz ostrożności. Z tego względu znacznie ograniczyliśmy prędkość wózka podczas ruchu do tyłu w porównaniu z jazdą do przodu. Jednak wciąż zalecamy ograniczenie prędkości do minimum podczas jazdy do tyłu. Podczas jazdy do tyłu działanie dźwigni kierującej jest odwrócone.

2.13.7 Jazda pod górę

- ⚠ **OSTRZEŻENIE:** Kontroluj działanie elektrycznego wózka inwalidzkiego - należy zapoznać się ze sposobem jazdy.
- ⚠ **OSTRZEŻENIE:** Kontroluj działanie elektrycznego wózka inwalidzkiego - nigdy nie należy umieszczać wózka w położeniu neutralnym na pochyłym podłożu.
- ⚠ **OSTRZEŻENIE:** Ogranicz prędkość – na powierzchniach pochyłych należy poruszać się jak najwolniej.
- ⚠ **OSTRZEŻENIE:** Ryzyko przewrócenia - nie należy przekraczać maksymalnego stopnia stabilności statycznej i dynamicznej pod górę (patrz rozdział "Parametry techniczne").
- ⚠ **OSTRZEŻENIE:** Nie wolno zawracać pod górę.

Zawsze należy podejżdzać do powierzchni pochyłych od przodu i, aby uniknąć przewrócenia, sprawdzać, czy wszystkie cztery koła cały czas dotykają podłoża (podjazdy itd.).

Jeżeli podczas jazdy po powierzchni pochyłej nastąpi zatrzymanie wózka na skutek zwolnienia drążka sterowego, hamulec silnika zapobiegnie stoczeniu się wózka do tyłu. Gdy drążek sterowy powróci do położenia zerowego, włączy się hamulec silnika.

Aby wznowić jazdę pod górę, należy popchnąć drążek sterowy maksymalnie do przodu, aby zapewnić uwolnienie wystarczającej ilości mocy. Umożliwi to powolne wznoszenie się wózka po powierzchni pochyłej.

Jeżeli wózek nie podejżdża pod górę, zwiększ prędkość i spróbuj ponownie.

2.13.8 Jazda w dół

- ⚠ **OSTRZEŻENIE:** Kontroluj działanie elektrycznego wózka inwalidzkiego - należy zapoznać się ze sposobem jazdy.
- ⚠ **OSTRZEŻENIE:** Kontroluj działanie wózka inwalidzkiego - nigdy nie należy umieszczać wózka w położeniu neutralnym na pochyłym podłożu.
- ⚠ **OSTRZEŻENIE:** Ogranicz prędkość – na powierzchniach pochyłych należy poruszać się jak najwolniej.
- ⚠ **OSTRZEŻENIE:** Ryzyko przewrócenia - należy unikać ostrych zakrętów.
- ⚠ **OSTRZEŻENIE:** Ryzyko przewrócenia - nie należy przekraczać maksymalnego stopnia stabilności statycznej i dynamicznej w dół (patrz rozdział "Parametry techniczne").

Zawsze należy podjeżdżać do powierzchni pochyłych od przodu. Podjeżdżanie na ukos może spowodować, że niektóre koła przestaną dotykać podłoża (niebezpieczeństwo przewrócenia).

Waga wózka zwiększa jego prędkość podczas jazdy w dół. Należy zmniejszyć prędkość za pomocą modułu sterowania.

Należy unikać ostrych zakrętów znajdujących się na powierzchniach pochyłych. Podczas pokonywania zakrętów waga wózka może spowodować przechylenie się wózka na jedną stronę lub nawet jego przewrócenie się.

2.14 Przemieszczanie po schodach

- ⚠ **OSTRZEŻENIE:** Ryzyko urazu — podczas przenoszenia użytkownik powinien siedzieć spokojnie w wózku i unikać wykonywania gwałtownych ruchów. Jeśli ze względu na chorobę lub stopień niepełnosprawności (np. spastyczność itp.) użytkownik nie może siedzieć spokojnie, konieczna jest obecność dwójki opiekunów, którzy zabezpieczą wózek z obu stron, trzymając go za stałe części ramy.
- ⚠ **OSTRZEŻENIE:** Ryzyko urazu — podczas transportu pacjent powinien korzystać z pasów bezpieczeństwa (informacje można uzyskać od wyspecjalizowanego sprzedawcy).
- ⚠ **OSTRZEŻENIE:** Ryzyko urazu — należy upewnić się, czy ręce i nogi użytkownika nie wystają poza wózek podczas przenoszenia.

Przemieszczanie w górę lub w dół klatki schodowej razem z wózkiem wymaga skorzystania podjazdów lub wind dla wózków inwalidzkich.

2.15 Wjeżdżanie wózkiem pod podjazdy

- ⚠ **OSTRZEŻENIE:** Ryzyko urazu - nie należy przekraczać maksymalnego obciążenia podjazdów.
- ⚠ **OSTRZEŻENIE:** Ryzyko urazu - Należy wybierać odpowiednie podjazdy, aby uniknąć urazów i uszkodzenia.
- ⚠ **OSTRZEŻENIE:** Ryzyko urazu - należy upewnić się, że koła są wystarczająco wysokie, aby pokonać wysokość użytkową podjazdu. Rama wózka nie może dotykać podjazdu.
- ⚠ **OSTRZEŻENIE:** Ryzyko urazu — należy korzystać z ograniczającego pasa bezpieczeństwa służącego do zabezpieczania użytkownika w wózku.
- ⚠ **OSTRZEŻENIE:** Ryzyko przewrócenia - należy dokonać regulacji wózka (siedziska, oparcia, podnóżków, ...) w taki sposób, aby zapewnić najlepszą stabilność.

W przypadku korzystania z podjazdów w celu pokonania przeszkody, należy pamiętać o następujących kwestiach:

1. Należy dowiedzieć się od producenta, jakie jest maksymalne obciążenie podjazdów.
2. Należy wjeżdżać na podjazdy jak najwolniej.
3. Patrz instrukcje w rozdziale "pierwsze użycie".

Jeżeli wózek posiadać możliwość regulacji jego ustawień, należy upewnić się (ponieważ ma to wpływ na jego stabilność), że:

1. Siedzisko znajduje się w najniższym położeniu oraz w pozycji poziomej.
2. Oparcie znajduje się w pozycji pionowej.
3. Podpory nóg zostały ustawione w taki sposób, aby uniknąć kolizji podczas pokonywania przeszkody.

Jeżeli wózek jest pchany przez drugą osobę, należy pamiętać, że ze względu na swoją dużą wagę wózek stawia znaczący opór.

2.16 Pchanie wózka inwalidzkiego




- ⚠ **OSTRZEŻENIE:** Kontroluj działanie elektrycznego wózka inwalidzkiego - podczas jazdy nigdy nie należy umieszczać wózka w położeniu neutralnym.
- ⚠ **OSTRZEŻENIE:** Kontroluj działanie elektrycznego wózka inwalidzkiego - nigdy nie należy umieszczać wózka w położeniu neutralnym na pochyłym podłożu. Może on przypadkowo się stoczyć.

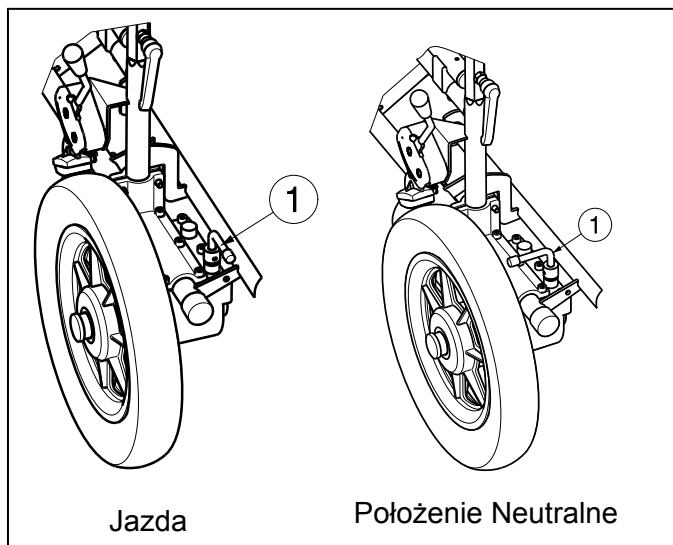
Wózek musi zostać wyposażony w mechanizm wolnego biegu, który jest dostępny i używany wyłącznie przez opiekuna.

2.16.1 Silniki o mocy 150 W — 6 km/h

Za pomocą dźwigni regulacyjnych ① obydwu silników ustaw wózek w położeniu neutralnym. Dźwignie znajdują się z tyłu wózka.

Aby włączyć lub wyłączyć sprzęgło, należy postępować zgodnie z poniższą instrukcją:

-  **JAZDA**
Ustaw dźwignie regulacyjne ① obu silników w kierunku jazdy. Zwolnij hamulce postojowe. Wyłącz i włącz moduł sterowania. Funkcja jazdy ze sterowaniem elektronicznym jest teraz możliwa.
-  **POŁOŻENIE NEUTRALNE**
Aby włączyć tryb wolnego biegu wózka, ustaw dźwignie regulacyjne ① obu silników w pozycji, w której znajduje się symbol oznaczający położenie neutralne. Teraz można popychać wózek bez napędu elektronicznego.
-  W trybie swobodnego obrotu hamulec elektryczny jest wyłączony, a wózka nie można zatrzymać. Nie należy włączać trybu swobodnego obrotu na powierzchniach pochyłych.



- ⚠ W trybie swobodnego obrotu, elektromagnetyczny układ hamowania jest wyłączony, więc wózek nie jest zabezpieczony przed stoczeniem się. Nie należy poruszać się wózkiem po pochyłej lub nierównej powierzchni, ponieważ może się on przypadkowo stoczyć.
- ⚠ System elektroniczny wskaże, za pomocą migającego symbolu blokady, że elektroniczne sterowanie jazdą nie jest możliwe.

2.17 Transport w samochodzie

- ⚠ **NIEBEZPIECZEŃSTWO:** Ryzyko zranienia- Nie należy przewozić osób siedzących w wózku podczas jazdy samochodem.
- ⚠ **OSTRZEŻENIE:** Ryzyko urazu - podczas transportu żadne osoby ani przedmioty nie mogą znajdować się pod wózkiem.
- ⚠ **OSTRZEŻENIE:** Ryzyko urazu – należy upewnić się, że wózek inwalidzki jest prawidłowo umocowany. Pozwoli to zapobiec urazom pasażerów podczas kolizji lub gwałtownego hamowania. Należy sprawdzić, czy wózek jest przymocowany wyłącznie za stałe części ramy.
- ⚠ **OSTRZEŻENIE:** Ryzyko urazu – **NIGDY** nie należy używać jednego pasa bezpieczeństwa do zabezpieczenia pasażera i wózka inwalidzkiego.

Nigdy nie należy używać wózka jako fotela w samochodach i innych pojazdach zmechanizowanych. Wózek powinien być oznaczony następującym symbolem.



Aby przewieźć wózek w samochodzie, należy wykonać następujące czynności:

Najlepszym sposobem transportu elektrycznego wózka inwalidzkiego w samochodzie jest wjechanie nim do środka za pomocą podjazdu.

W przypadku braku doświadczenia we wjeżdżaniu za pomocą podjazdu, można także włączyć tryb położenia neutralnego i wepchnąć wózek do samochodu za pomocą podjazdu.

Jeżeli wózek nie mieści się w całości do samochodu, aby go przetransportować należy wykonać następujące czynności:

1. Przed transportem zdjąć wszystkie ruchome części (podnóżki, wsporniki podłokietników, obudowa akumulatorów, itd.).
2. Umieść ruchome części w bezpiecznym miejscu.
3. W 2 osoby złap ramę za stałe części i umieść wózek w samochodzie.
4. Przymocuj stałe części ramy do pojazdu.
5. Włącz tryb jazdy wózka (włącz hamulce postojowe) i sprawdź, czy moduł sterowania jest wyłączony.

2.18 Transport w samolocie

Wózek można przewozić w samolocie. Należy go zgłosić do odprawy. Przed odlotem należy powiadomić dane linie lotnicze o tym, że transportowany będzie wózek. Nie wolno używać wózka jako siedzenia w samolocie, należy go przechowywać w luku bagażowym.

Przewożąc wózek w samolocie należy pamiętać o następujących wymaganiach:

1. Typ i właściwości wózka (drażek sterowy, Accu)

Wózki inwalidzkie muszą być przystosowane do zasilania z akumulatorów suchych i żelowych. Nie należy ich wyciągać z wózka. Należy jedynie odłączyć i izolować połączenia elektryczne accu.

2. Waga i wymiary wózka

Dopuszczalna waga i wymiary wózka zależą od typu samolotu.

3. Uszkodzenie wózka

Wózek może ulec uszkodzeniu, ponieważ będzie przechowywany w wąskim obszarze, w którym znajdują się walizki i inne przedmioty.

Aby zapobiec jego uszkodzeniu należy:

- Należy ustawić wózek w standardowym położeniu (ustawić kolumnę jak najniżej, siedzisko poziomo, oparcie jak najbardziej do przodu).



- Odchylić płyty podnóżka w górę, ustawić podpory nóg jak najbardziej do wewnątrz.
- Sprawdzić, czy dźwignie regulacyjne są ustawione do wewnątrz.
- Przykryć moduł sterowania miękkim materiałem, który jest odporny na wstrząsy.

Przed podróżą należy skontaktować się z danymi liniami lotniczymi w sprawie wymagań dotyczących przewożenia wózka w samolocie.

2.19 Akumulatory

Standardowo wózek wyposażony jest w dwa zamknięte akumulatory AGM, 12 V/38 Ah lub 50 Ah. Akumulatory używane w elektronicznym wózku inwalidzkim to akumulatory napędowe, które uzyskują pełny poziom naładowania dopiero po kilku cyklach ładowania i używania.

Jeżeli akumulatory utracą moc po długim użytkowaniu lub jeżeli zostaną uszkodzone, mogą zostać wymienione wyłącznie przez wyspecjalizowanego sprzedawcę.

Firma nie ponosi odpowiedzialności za uszkodzenie spowodowane użytkowaniem innego typu akumulatorów.

W przypadku otwarcia akumulatorów odpowiedzialność producenta wygasa, a wszelkie roszczenia zostają anulowane.

Nie należy używać akumulatorów w temperaturach poniżej -5°C lub powyżej $+50^{\circ}\text{C}$ (idealna temperatura to: $+20^{\circ}\text{C}$).

Należy stosować wyłącznie oryginalne akumulatory. Producent nie ponosi odpowiedzialności za uszkodzenia wynikające z używania innych akumulatorów.

2.20 Ładowarka akumulatorów

Akumulatory można ładować wyłącznie za pomocą dołączonej ładowarki akumulatorów. Instrukcje dotyczące ładowarki akumulatorów można znaleźć w instrukcji, która jest dołączona do ładowarki.

2.21 Ładowanie akumulatorów

⚠ PRZESTROGA: Ryzyko urazu - należy korzystać wyłącznie z ładowarki dołączonej do akumulatorów.

Wózek można ładować po każdym użyciu, ponieważ ładowarka wyrównuje krzywą ładowania z poziomem naładowania akumulatorów. Dzięki temu można uniknąć agresywnego ładowania akumulatorów i "efektu pamięciowego".

Wózek należy naładować, najpóźniej, gdy na wskaźniku naładowania znajdującym się na module sterowania zaświecą się czerwone diody. W przypadku kontynuacji jazdy w końcu zapali się ostatnia czerwona dioda i zacznie migać, sygnalizując, że akumulatory są na wyczerpaniu. Po zlekceważeniu tego sygnału ostrzegawczego wkrótce pojawi się komunikat o błędzie sygnalizujący, że akumulatory nie są w stanie dłużej zasilać wózka. Należy zatem ładować akumulatory zanim pojawi się taki komunikat o błędzie, za pomocą dołączonej ładowarki. Należy unikać rozładowania się akumulatorów.

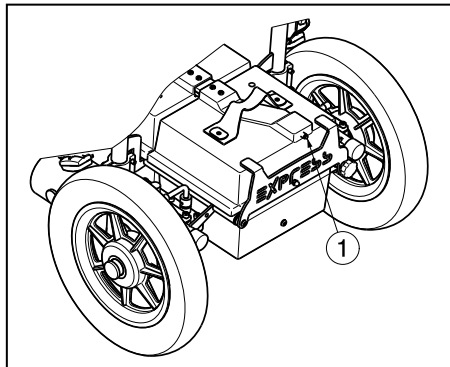
Aby używać poprawnie ładowarki do baterii przeczytaj instrukcje załączoną do ładowarki.

Jeżeli elektryczny wózek inwalidzki nie jest używany przez długi okres, mimo wszystko należy go podładowywać regularnie, aby można było z niego w każdej chwili skorzystać.

Producent nie ponosi odpowiedzialności za szkody spowodowane nieprawidłowym ładowaniem.

Więcej informacji można znaleźć w instrukcji użytkownika dołączonej do ładowarki.

2.22 Bezpiecznik termiczny



Aby chronić silnik przed przeciążeniem, należy użyć mechanizmu zabezpieczającego przed przegrzaniem znajdującego się z tyłu górnej części obudowy akumulatorów ①, który automatycznie wyłączy silnik, aby zapobiec jego przegrzaniu, a co za tym idzie szybkiemu zużyciu się lub uszkodzeniu. Aby temu zapobiec, nie należy przekraczać maksymalnego nachylenia podłoża podczas jazdy po powierzchniach pochyłych. Przekroczenie maksymalnego dopuszczalnego obciążenia również może spowodować włączenie mechanizmu zabezpieczającego.

Aby móc ponownie korzystać z wózka, należy usunąć przeciążenie i poczekać, aż silnik ostygnie. Następnie należy delikatnie nacisnąć mechanizm zabezpieczający przed przegrzaniem. Wózek jest ponownie gotowy do użycia.

3 Montaż i regulacja

Instrukcje zawarte w niniejszym rozdziale są przeznaczone dla wyspecjalizowanego sprzedawcy tylko.

Wózek elektryczny Express VB jest wyposażony w napęd na tylne koła.

- ⚠ **OSTRZEŻENIE:** Ryzyko niebezpiecznych ustawień — należy używać wyłącznie ustawień opisanych w tej instrukcji obsługi.
- ⚠ **OSTRZEŻENIE:** Ryzyko przewrócenia - określone nastawy w dopuszczalnym zakresie również mogą obniżyć stabilność wózka (odchylenie do tyłu lub na boki).

3.1 Narzędzia

Do regulacji ustawień wózka inwalidzkiego wymagane są następujące narzędzia.

- Zestaw kluczy nr 10
- Zestaw kluczy imbusowych nr 4 – 5

3.2 Sposób dostawy

Elektryczny wózek inwalidzki zawiera:

- Rama z podłokietnikami, moduł sterowania, przednie i tylne koła, siedzisko i oparcie
- 1 parę podnóżków
- 2 poszczególne akumulatory napędowe, obudowa akumulatorów, 2 x silniki napędowe
- Ładowarka akumulatorów wraz z instrukcją
- Elementy elektroniczne
- Narzędzia
- Elektryczny i ręczny moduł sterowania
- Akcesoria

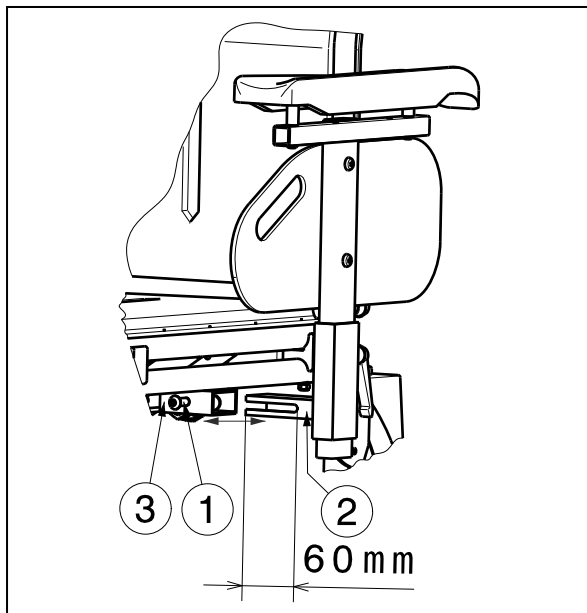
Przed użyciem należy się upewnić, że produkt zawiera wszystkie elementy oraz że żaden z elementów nie uległ uszkodzeniu (np. podczas transportu). Należy pamiętać, że podstawowa konfiguracja wózka może różnić się w poszczególnych krajach europejskich. Należy skontaktować się ze sprzedawcą.

3.3 Możliwości regulacji

- ⚠ **OSTRZEŻENIE:** Ryzyko urazu - przed wykonaniem jakichkolwiek regulacji należy wyłączyć wózek.
- ⚠ **OSTRZEŻENIE:** Ryzyko urazu - Nigdy nie wolno wykonywać żadnych regulacji podczas jazdy.
- ⚠ **OSTRZEŻENIE:** Ryzyko urazu - regulacje może wykonywać wyłącznie wyspecjalizowany sprzedawca.
- ⚠ **OSTRZEŻENIE:** Ryzyko urazu — przed rozpoczęciem jazdy należy upewnić się, że wszystkie śruby są mocno dokręcone, a dźwignie zaciągnięte.
- ⚠ **PRZESTROGA:** Ryzyko przytrzaśnięcia – Trzymaj palce, zapięcia i odzież z dala od punktów mocowania i wszelkich części ruchomych.

3.3.1 Regulacja podłokietników

Szerokość podłokietników można regulować w płaszczyźnie poziomej.



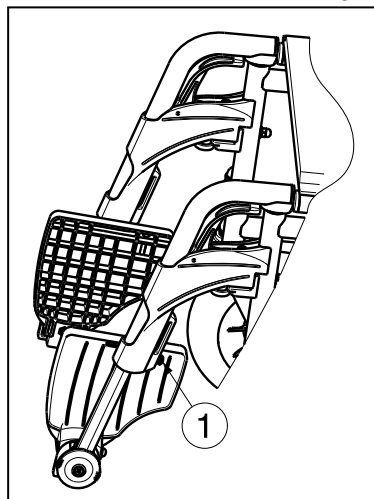
1. Poluzuj śruby z łbem imbusowym ① znajdujące się pod ramą siedziska.
2. Przesuń podłokietnik w płaszczyźnie poziomej, przesuwając względem siebie prostokątne rury ② i ③ aż do momentu osiągnięcia odpowiedniej pozycji. (Płynna regulacja w zakresie 60 mm)
3. Przykręć ponownie śruby ①.
4. Powtórz powyższe czynności dla drugiego wspornika podłokietnika.

Upewnij się, że podłokietniki po obu stronach są ustawione tak samo.

3.3.2 Regulacja podnóżków

* Regulacja długości:

- ⚠ **PRZESTROGA:** Ryzyko uszkodzenia – należy unikać kontaktu podnóżków z podłożem. Zachowaj minimalny odstęp 30 mm od podłoża.



Aby wyregulować długość podnóżków:

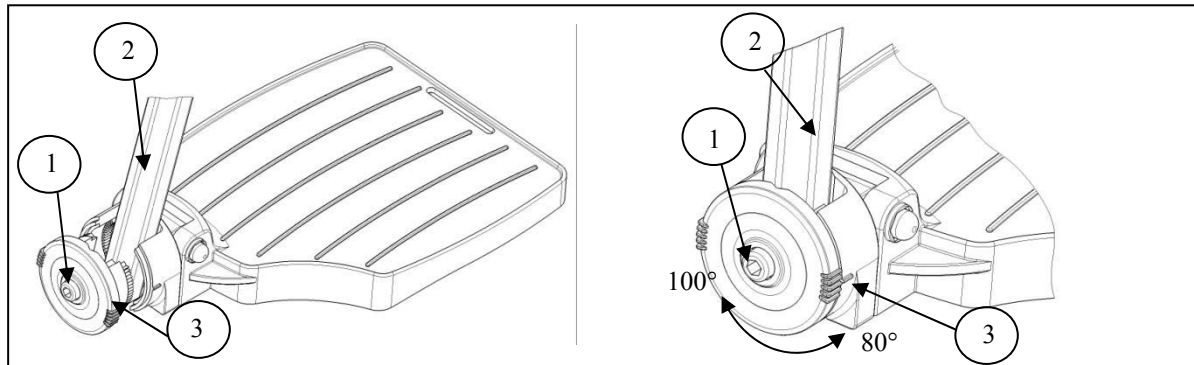
1. Wykręć śrubę ① (na tyle podnóżków).
2. Ustaw wygodną długość podnóżka. Płynna regulacja w zakresie 120 mm).
3. Odpowiednio dokręć śrubę ①.

*** Regulacja płyt podnóżków:**

Płyty podnóżków mogą być używane w 2 pozycjach. Standardowo podnóżki skierowane są płytami do tyłu.

Płyty podnóżków można skierować do przodu, zamieniając płytę lewą z płytą prawą.

*** Regulacja płyt podnóżków:**



Aby wyregulować kąt nachylenia płyty podnóżków:

1. Poluzuj śrubę ①.
2. Ustaw rurkę ② pod żądanym kątem. Kąt nachylenia (80°-85°-90°-95°-100°) jest wskazywany przez listki ③.
3. Dokręć śrubę ①.

3.4 Złącza akumulatorów

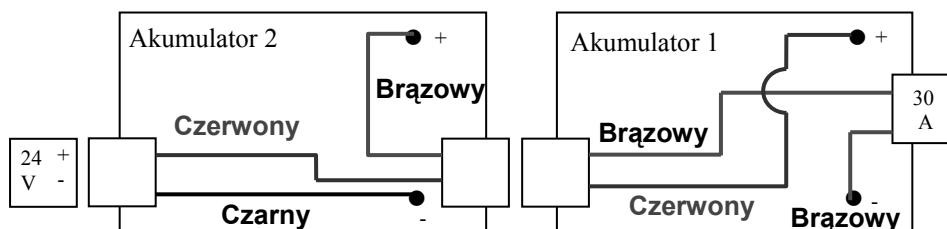
⚠ PRZESTROGA: Ryzyko urazu — aby uniknąć przypadkowych przepływów prądu, należy upewnić się, że między biegunami nie znajduje się żadne narzędzie ani inny przewodnik prądu.

⚠ PRZESTROGA: Ryzyko urazu, uszkodzenia wózka — prac związanych z akumulatorami i układem elektrycznym nie należy wykonywać w warunkach dużej wilgotności.

Aby prawidłowo odłączyć akumulatory:

1. Odłącz akumulator 1.
2. Odłącz akumulator 2.

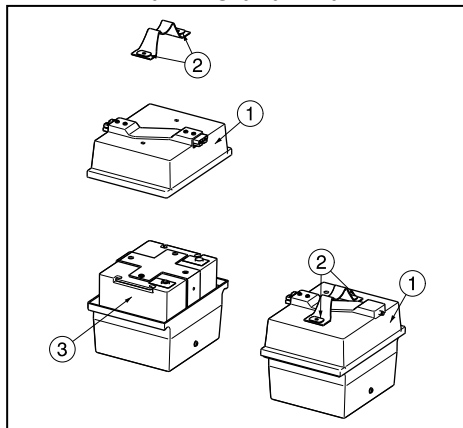
Aby podłączyć akumulatory, wykonaj czynności odwrotne do przedstawionych powyżej.



3.5 Wymiana akumulatorów

- ⚠ PRZESTROGA:** Ryzyko poparzenia - należy unikać kontaktu z kwasem znajdującym się w akumulatorach. Należy zapewnić dobrą wentylację gniazda akumulatorowego.

Akumulatory mogą być wymieniane wyłącznie przez wykwalifikowany personel.



Aby wymienić akumulatory:

1. Zdemontuj obudowę obydwóch akumulatorów
2. Zdejmij pokrywę baterii ① poprzez poluzowanie śrub ② na uchwycie ③.
3. Podłącz wszystkie przewody do akumulatorów.
4. Wyjmij akumulatory ③ z obudowy akumulatorów.
5. Należy włożyć nowe akumulatory do obudowy.
6. Podłącz wszystkie przewody do akumulatorów.
7. Umieść pokrywę akumulatora ① a następnie skręć śrubami ②.

3.6 Wymiana opon

- ⚠ PRZESTROGA:** Przed wyjęciem opony należy spuścić powietrze z dętki.
- ⚠ PRZESTROGA:** Ryzyko uszkodzenia - niewłaściwe postępowanie może doprowadzić do uszkodzenia obręczy.

Jedynie ekspert może zagwarantować właściwy montaż. Wykonywanie tej czynności przez inną osobę niż wyspecjalizowanego sprzedawcę unieważnia gwarancję.

Należy stosować wyłącznie te urządzenia do pompowania, które są zgodne z przepisami i pokazują ciśnienie w barach. Firma nie ponosi odpowiedzialności za uszkodzenia wynikające z zastosowania urządzeń do pompowania opon, które nie zostały dostarczone przez producenta.

- ⚠ OSTRZEŻENIE:** Ryzyko urazu- należy sprawdzać, czy ciśnienie jest prawidłowe.
- ⚠ PRZESTROGA:** Ryzyko urazu - należy upewnić się, że podczas montażu opony żadne przedmioty, części ciała ani wewnętrzne rurki nie zostały przytrzaśnięte pomiędzy oponą a obręczą.

- **Koła skrętne (przednie)**

Wymowanie opony z obręczy:

1. Należy spuścić powietrze z dętki.
2. Włóż płaski klucz pomiędzy oponę a obręcz koła.
3. Następnie powoli i ostrożnie nacisnąć dźwignię w dół. W ten sposób opona zostanie wyciągnięta nad krawędź obręczy.
4. Należy przesunąć łyżkę do opon wzdłuż obręczy, a opona wyskoczy z obręczy.
5. Teraz ostrożnie ściągnij oponę z obręczy koła i wyciągnij dętkę.

Przed założeniem nowej dętki należy pamiętać o następujących kwestiach:

Sprawdzić podłoże obręczy oraz stronę wewnętrzną opony czy nie znajdują się tam jakieś ciała obce a następnie je usunąć. Sprawdzić stan podłoża obręczy, szczególnie w okolicy zaworu powietrza. Należy używać wyłącznie oryginalnych części zamiennych. Firma nie

ponosi odpowiedzialności za uszkodzenia wynikające z zastosowania nieoryginalnych części zamiennych. Prosimy o skontaktowanie się z waszym specjalistycznym dealerem.

Montaż opony w obręczy:



Dętkę, z której spuszczone powietrze należy umieścić wokół środka obręczy. Należy upewnić się, że wentyl wystaje z otworu w obręczy.



Należy wepchnąć oponę na krawędź obręczy, zaczynając poza zaworem powietrza. Nieznacznie napęcznieć dętkę powietrzem do uzyskania okrągłego kształtu a następnie umieścić ją wewnątrz opony.



Jeżeli dętka wchodzi do opony bez żadnych zagięć (aby pozbyć się zagięć, należy upuścić trochę powietrza), wówczas górną część opony można wepchnąć delikatnie do obręczy obiema rękoma, zaczynając ponownie od wentyla.

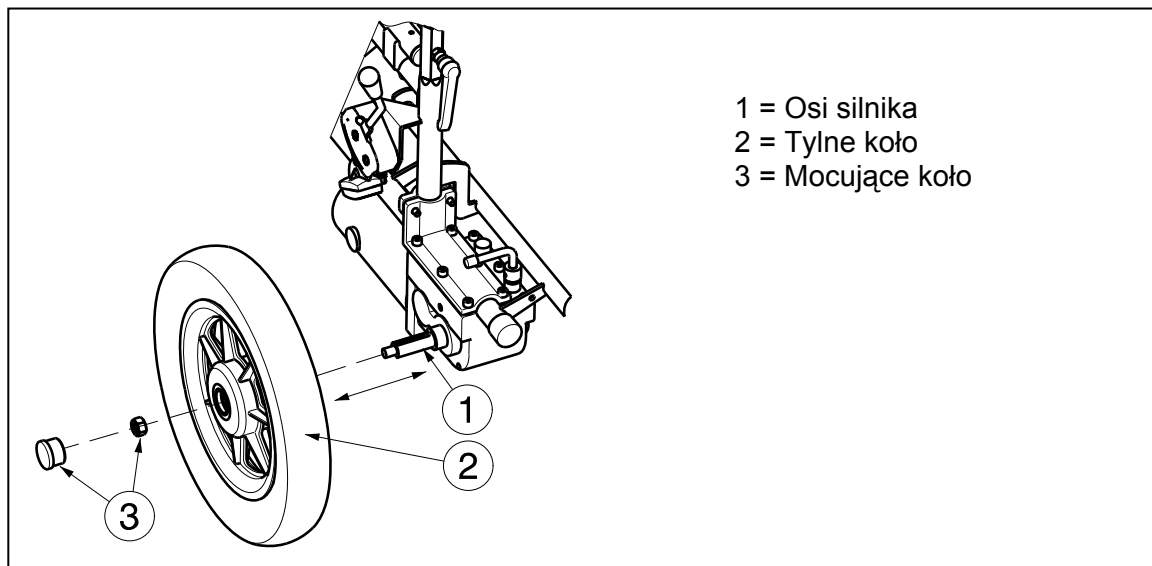
Należy sprawdzić z obu stron czy dętka nie jest wciśnięta pomiędzy poręczą a brzegiem opony. Nieznacznie wcisnąć zawór powietrza, następnie ponownie wyciągnąć by upewnić się, że opona jest właściwie usytuowana w miejscu zaworu powietrza.

Aby właściwie napompować koło, należy najpierw wpuścić niewielką ilość powietrza i sprawdzić, czy oponę można bez problemu ścisnąć palcami. Jeśli linie kontrolne są jednakowo odległe od krawędzi poręczy po obu stronach opony wówczas jest ona usytuowana właściwie. Jeśli nie – należy wypuścić powietrze i usytuować oponę jeszcze raz. Teraz można całkowicie napompować oponę do momentu osiągnięcia maksymalnego ciśnienia roboczego (należy sprawdzić maksymalne ciśnienie) i założyć nasadkę na wentyli.

Podczas pompowania opon należy zawsze sprawdzać, czy ciśnienie jest prawidłowe. Wskazanie prawidłowego ciśnienia znajduje się z boku opony.

- **Koła napędowe (tylne)**

⚠ OSTRZEŻENIE: Ryzyko urazu - przed korzystaniem z wózka należy upewnić się, że wszystkie śruby są mocno dokręcone.





DEMONTAŻ

1. Odkręć i ściągnij elementy mocujące koło ③.
2. Zdejmij całe tylne koło ② z osi silnika ①.

MONTAŻ

1. Usuń zabrudzenia z gwintów i osi silnika, i nasmaruj gwinty.
2. Przymocuj tylne koło do osi silnika, tak aby piasta koła znalazła się w rowku osi silnika.
3. Dokładnie zabezpiecz koła, dokręcając nakrętkę (elementy mocujące koło ③).

4 Konserwacja

Instrukcje obsługi / czyszczenia wózka elektrycznego są dostępne w formie osobnych książeczek. Nie zapomnij zapytać się o nie swojego dealera.

Instrukcje dotyczące konserwacji elektrycznego wózka inwalidzkiego znajdziesz również na naszej stronie internetowej www.vermeiren.pl.

PL



SERVICE

The electric wheelchair was serviced:
Le fauteuil roulant électrique a été contrôlé:
De elektrische rolstoel is gecontroleerd:

Das Elektrorollstuhl wurde überprüft:
La carrozzina elettrica è stata ispezionata:
La silla de ruedas eléctrica ha sido revisada por:
Z wózek inwalidzki elektryczny był serwisowany:

Dealer's stamp • Cachet du revendeur • Stempel van de handelaar
Händlerstempel • Timbro del rivenditore • Sello del distribuidor •
Dealerzy pieczęć:

Date • Datum • Data • Fecha:

Dealer's stamp • Cachet du revendeur • Stempel van de handelaar
Händlerstempel • Timbro del rivenditore • Sello del distribuidor •
Dealerzy pieczęć:

Date • Datum • Data • Fecha:

Dealer's stamp • Cachet du revendeur • Stempel van de handelaar
Händlerstempel • Timbro del rivenditore • Sello del distribuidor •
Dealerzy pieczęć:

Date • Datum • Data • Fecha:

Dealer's stamp • Cachet du revendeur • Stempel van de handelaar
Händlerstempel • Timbro del rivenditore • Sello del distribuidor •
Dealerzy pieczęć:

Date • Datum • Data • Fecha:

Dealer's stamp • Cachet du revendeur • Stempel van de handelaar
Händlerstempel • Timbro del rivenditore • Sello del distribuidor •
Dealerzy pieczęć:

Date • Datum • Data • Fecha:

Dealer's stamp • Cachet du revendeur • Stempel van de handelaar
Händlerstempel • Timbro del rivenditore • Sello del distribuidor •
Dealerzy pieczęć:

Date • Datum • Data • Fecha:

Dealer's stamp • Cachet du revendeur • Stempel van de handelaar
Händlerstempel • Timbro del rivenditore • Sello del distribuidor •
Dealerzy pieczęć:

Date • Datum • Data • Fecha:

Dealer's stamp • Cachet du revendeur • Stempel van de handelaar
Händlerstempel • Timbro del rivenditore • Sello del distribuidor •
Dealerzy pieczęć:

Date • Datum • Data • Fecha:

Dealer's stamp • Cachet du revendeur • Stempel van de handelaar
Händlerstempel • Timbro del rivenditore • Sello del distribuidor •
Dealerzy pieczęć:

Date • Datum • Data • Fecha:

Dealer's stamp • Cachet du revendeur • Stempel van de handelaar
Händlerstempel • Timbro del rivenditore • Sello del distribuidor •
Dealerzy pieczęć:

Date • Datum • Data • Fecha:

- For service checklists an additional technical information, please see our specialist dealers nearest to you. More information on our website at: www.vermeiren.com.
- Les listes des contrôles à effectuer lors des entretiens de même que toute autre information technique sont disponibles auprès de nos filiales. Pour de plus amples informations, consultez le site: www.vermeiren.fr.
- Servicelijsten en andere technische informatie kunt u aanvragen bij onze vestigingen. Meer informatie vindt u ook op: www.vermeiren.be.
- Servicechecklisten und weitere technische Informationen erhalten Sie über unsere Niederlassungen. Informationen unter: www.vermeiren.de, www.vermeiren.at, www.vermeiren.ch.
- Gli elenchi di controllo di manutenzione e ulteriori informazioni tecniche sono disponibili presso le nostre filiali. Per informazioni consultare il sito: www.vermeiren.com.
- Para un servicio de revisión o información técnica adicional, por favor, consulte a nuestros distribuidores especialistas más cercanos. Más información en nuestra página web: www.vermeiren.com.
- Po dodatkowe informacje techniczne oraz listę części zamiennych proszę się kontaktować z naszym wyspecjalizowanymi dystrybutorami w pobliżu miejsca zamieszkania. Więcej informacji na naszej stronie www.vermeiren.pl.

ITALIANO

GARANZIA CONTRATTUALE

La carrozzine manuali sono garantite 5 anni, la carrozzine ultra leggera 4 anni. Le carrozzine elettroniche, tricicli, letti e altri prodotti: 2 anno contro tutti i difetti di costruzione o di materiale (batterie 6 mesi). Multiposizioni 3 anni. Questa garanzia e' limitata alle sostituzioni di parti riconosciute difettose.

CONDIZIONI

Per far valere la garanzia, e' necessario indirizzarla al vostro distributore di fiducia che presentera' al produttore il tagliando.

RISERVE

Questa garanzia non potra' essere applicata nei seguenti casi:

- danno dovuto al cattivo ed improprio utilizzo della carrozzina,
- danno subito durante il trasporto,
- incidente o caduta,
- smontaggio, modifica, o riparazione effettuate in proprio,
- usura abituale della carrozzina,
- invio del tagliando di garanzia con la data di acquisto.



VERMEIREN



**GARANTÍA
GARANTIE
WARRANTY
GARANTIE
GARANZIA**

VERMEIREN GROUP
VERMEIRENPLEIN 1-15
B-2920 Kalmthout
Tel.: 00 32 (0)3 620 20 20
Fax: 00 32 (0)3 666 48 94
www.vermeiren.com

B

Naam/Nom/Name
Name/Nome

Adres/Adresse/Address
Adresse/Indirizzo

Woonplaats/Domicile/Home
Wohnort/Citta

E-mail

Artikel/Article/Article
Artikel/Articolo

Reeks nr./N° de série/Serie nr.
Serien-Nr./No. di serie

Aankoopdatum/Date d'achat/Date of purchase
Kaufdatum/Data di acquisto

Stempel verkoper/Timbre du vendeur
Dealer stamp/Händlerstempel
Timbro del rivenditore

A

Nombre/Nom/Name
Name/Nome

Dirección/Adresse/Address
Adresse/Indirizzo

Ciudad/Domicile/Home
Wohnort/Citta

E-mail

Artículo/Article/Article
Artikel/Articolo

Núm. de serie/N° de série/Serie nr.
Serien-Nr./No. di serie

Fecha de adquisición/Date d'achat/Date of purchase
Kaufdatum/Data di acquisto

Sello del distribuidor /Timbre du vendeur
Dealer stamp/Händlerstempel
Timbro del rivenditore

ESPAÑOL

CONTRATO DE GARANTÍA

Garantía de 5 años para sillas de ruedas estándar. Garantía de 4 años para las sillas de ruedas ligeras. Garantía de 2 años para las sillas de ruedas electrónicas, triciclos, camisas y otros productos. (las baterías tienen una garantía de 6 meses). Garantía de 3 años para las sillas de ruedas multi-posición. Esta garantía se limita a la sustitución de las piezas defectuosas o recambios.

CONDICIONES DE APLICACIÓN

Para reclamar esta garantía, debe de entregar a su distribuidor oficial de Vermeiren el apartado "B" de esta tarjeta. La garantía sólo es válida cuando las piezas son sustituidas por Vermeiren Bélgica.

EXCEPCIONES

Esta garantía no es válida en caso de:

- Daños debidos a un uso incorrecto de la silla de ruedas.
- Daños durante el transporte.
- Involucración en un accidente.
- Desmontaje, modificación o reparación que no haya sido realizada por nuestra compañía y / o distribuidor oficial de Vermeiren.
- Desgaste normal de la silla de ruedas.
- Que no se entregue la tarjeta de garantía

FRANCAIS

GARANTIE CONTRACTUELLE

Les fauteuils manuels standard sont garantis 5 ans, les fauteuils ultra légers 4 ans. Les fauteuils électroniques, tricycloès, lits et d'autres produits: 2 ans contre tous vices de construction ou de matériaux (batteries 6 mois).

Cette garantie est expressément limitée au remplacement des éléments ou pièces détachées reconnues défectueuses.

CONDITIONS D'APPLICATION

Pour prétendre à cette garantie, il faut présenter le certificat de garantie que vous avez conservé à votre distributeur Vermeiren. La garantie est uniquement valable au siège de la société.

RESERVES

Cette garantie ne pourra être appliquée en cas de:

- dommage dû à la mauvaise utilisation du fauteuil,
- endommagement pendant le transport,
- accident ou chute,
- démontage, modification ou réparation fait en dehors de notre société,
- usure normale du fauteuil,
- non retour du coupon de garantie.

ENGLISH

CONTRACTUAL WARRANTY

We offer 5 years of warranty on standard wheelchairs, lightweight wheelchairs 4 years. Electronic wheelchairs, tricycles and other products: 2 years (batteries 6 months) and multiposition wheelchairs 3 years. This warranty is limited to the replacement of defective or spare parts.

APPLICATION CONDITIONS

In order to claim its warranty, part "B" of this card has to be given to your official Vermeiren dealer. The warranty is only valid when parts are replaced by Vermeiren in Belgium.

EXCEPTIONS

This warranty is not valid in case of:

- damage due to incorrect usage of the wheelchair,
- damage during transport,
- involvement in an accident,
- a dismount, modification or repair carried outside of our company and/or official Vermeiren dealership,
- normal wear of the wheelchair,
- non-return of the warranty card

DEUTSCH

GARANTIEERKLÄRUNG

Wir garantieren, dass für unsere Rollstühle hochwertige Produkte verwendet werden, die in sorgfältiger Verarbeitung nach dem neuesten Stand der Technik montiert werden. Bevor Ihr Rollstuhl unser Werk verlassen hat, wurde er einer eingehenden Endkontrolle unterzogen, um auch letzte, eventuell vorhandene Mängel aufzuspüren.

Auf Standardrollstühle gewähren wir eine Garantie von 5 Jahren, auf Leichtgewichtsrollstühle 4 Jahre, auf elektronische Rollstühle, Dreiräder, Betten und andere Produkte: 2 Jahre (Batterien 6 Monate), auf Multifunktionsrollstühle 3 Jahre.

In dieser Garantie eingeschlossen sind alle Mängel, die auf einen Produkt- oder Verarbeitungsfehler zurückzuführen sind. Dieser Garantie unterliegen keine Schäden aus unsachgemäßer Benutzung. Ebenfalls sind Verschleißteile von der Garantie ausgenommen.

Sollte einmal der Fall eingetreten sein, dass Sie aus berechtigtem Grunde mit Ihrem Rollstuhl unzufrieden sind, so wenden Sie sich bitte unverzüglich an Ihren Fachhändler. Er wird sich in enger Zusammenarbeit mit uns darum bemühen, eine für Sie zufriedenstellende Lösung zu finden.

A

- Por favor entreguele en el plazo de 8 días a partir de la fecha de compra o registre su producto en nuestra página web, <http://www.vermeiren.be/registration>

- à renvoyer dans les 8 jours après achat ou registrar votre produit sur notre site, <http://www.vermeiren.be/registration>

- please return within 8 days of date of purchase or register your product at our website, <http://www.vermeiren.be/registration>

- zurückschicken innerhalb von 8 Tagen nach Kauf oder registrieren Sie Ihr Produkt auf unserer Website, <http://www.vermeiren.be/registration>

- da restituire entro 8 giorni dalla data di acquisto o registrar il vostro prodotto al nostro web site, <http://www.vermeiren.be/registration>

B

- en caso de reparación, por favor, añada el apartado "B".

- en cas de réparation, veuillez ajouter la carte "B".

- in case of repair, please add part "B".

- im Falle einer Reparatur, Karte "B" beifügen

- in case di riparazione, rispediteci la carta "B".

VERMEIREN GROUP
Vermeirenplein 1/15
B-2920 Kalmarhout
BELGIUM





Notes

A series of horizontal dotted lines for writing notes.



Notes

A series of horizontal dotted lines for taking notes.

Belgium

N.V. Vermeiren N.V.

Vermeirenplein 1 / 15
B-2920 Kalmthout
Fax: +32(0)3 666 48 94
website: www.vermeiren.be
e-mail: info@vermeiren.be

France

Vermeiren France S.A.

Z. I., 5, Rue d'Ennevelin
F-59710 Avelin
Tel: +33(0)3 28 55 07 98
Fax: +33(0)3 20 90 28 89
website: www.vermeiren.fr
e-mail: info@vermeiren.fr

Italy

Vermeiren Italia

Viale delle Industrie 5
I-20020 Arese MI
Tel: +39 02 99 77 07
Fax: +39 02 93 58 56 17
website: www.vermeiren.it
e-mail: info@vermeiren.it

Poland

Vermeiren Polska Sp. z o.o

ul. Łączna 1
PL-55-100 Trzebnica
Tel: +48(0)71 387 42 00
Fax: +48(0)71 387 05 74
website: www.vermeiren.pl
e-mail: info@vermeiren.pl

Czech Republic

Vermeiren ČR S.R.O.

Nádražní 132
702 00 Ostrava 1
Tel: +420 596 133 923
Fax: +420 596 121 976
website: www.vermeiren.cz
e-mail: info@vermeiren.cz

Germany

Vermeiren Deutschland GmbH

Wahlerstraße 12 a
D-40472 Düsseldorf
Tel: +49(0)211 94 27 90
Fax: +49(0)211 65 36 00
website: www.vermeiren.de
e-mail: info@vermeiren.de

Austria

Vermeiren Austria GmbH

Schärddinger Strasse 4
A-4061 Pasching
Tel: +43(0)7229 64900
Fax: +43(0)7229 64900-90
website: www.vermeiren.at
e-mail: info@vermeiren.at

Switzerland

Vermeiren Suisse S.A.

Eisenbahnstrasse 62
3645 Gwatt (Thun)
Tel: +41(0)33 335 14 75
Fax: +41(0)33 335 14 67
website: www.vermeiren.ch
e-mail: info@vermeiren.ch

Spain / Portugal

Vermeiren Iberica, S.L.

Carratera de Cartellà, Km 0,5
Sant Gregori Parc Industrial Edifici A
17150 Sant Gregori (Girona)
Tel: +34 972 42 84 33
Fax: +34 972 40 50 54
website: www.vermeiren.es
e-mail: info@vermeiren.es

Manufacturer

Vermeiren GROUP

Vermeirenplein 1 / 15
B-2920 Kalmthout
Tel: +32(0)3 620 20 20
Fax: +32(0)3 666 48 94
website: www.vermeiren.be
e-mail: info@vermeiren.be